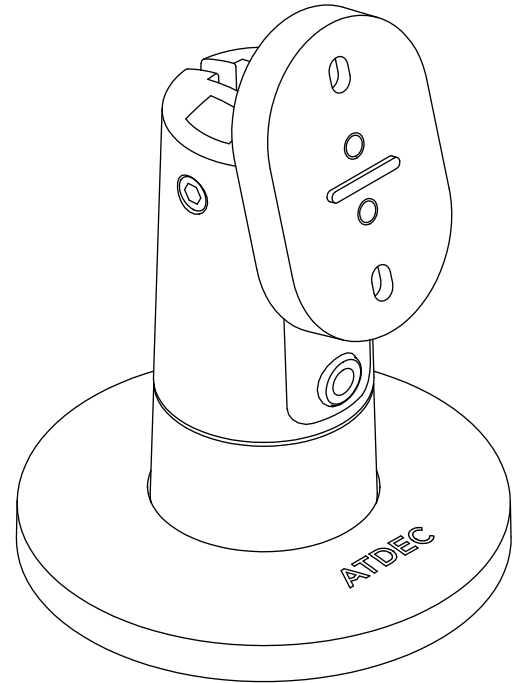
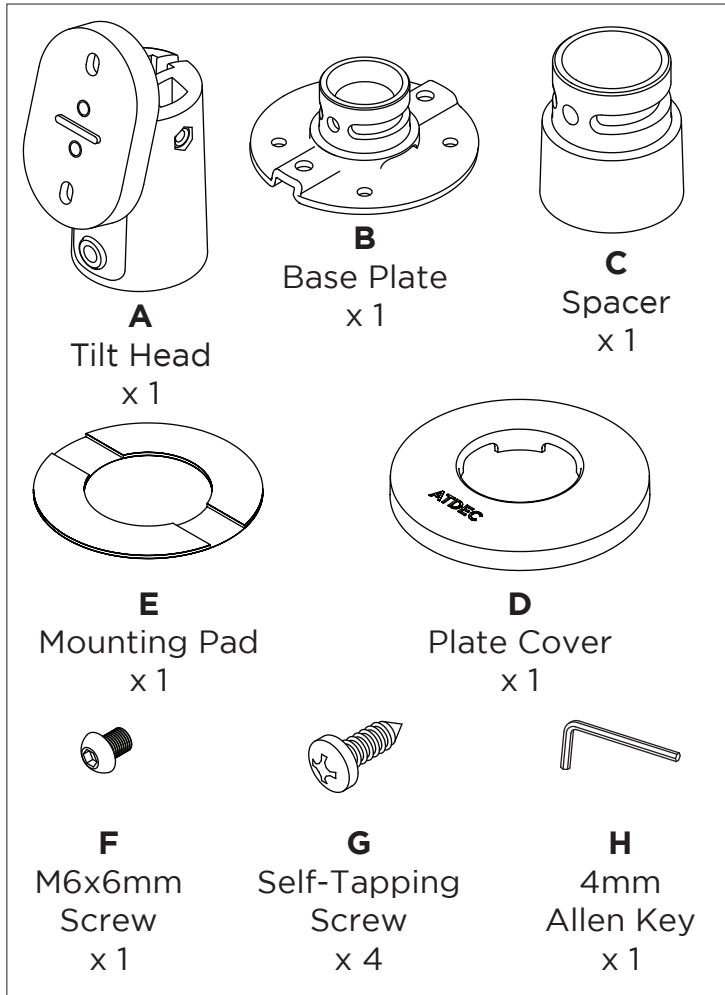


## POS Base

### COMPONENT CHECKLIST

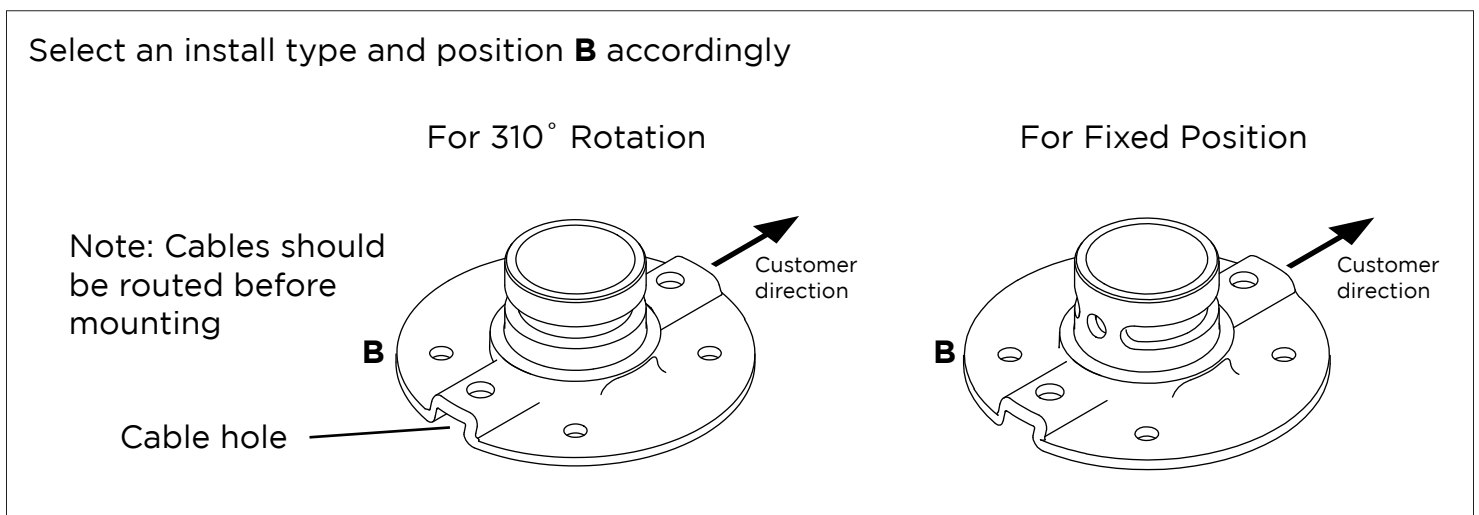


### REQUIRED TOOLS



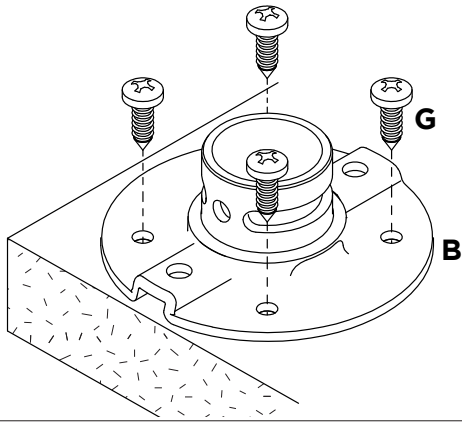
Note: this product may require additional accessories, sold seperately.

### Step 1: Choose Install Type

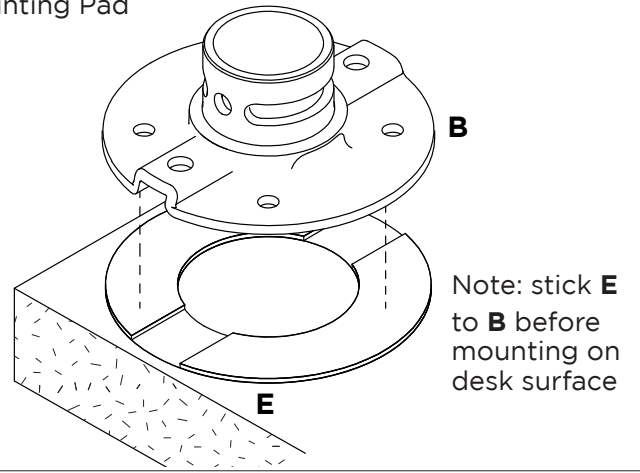


## Step 2: Mount Base Plate

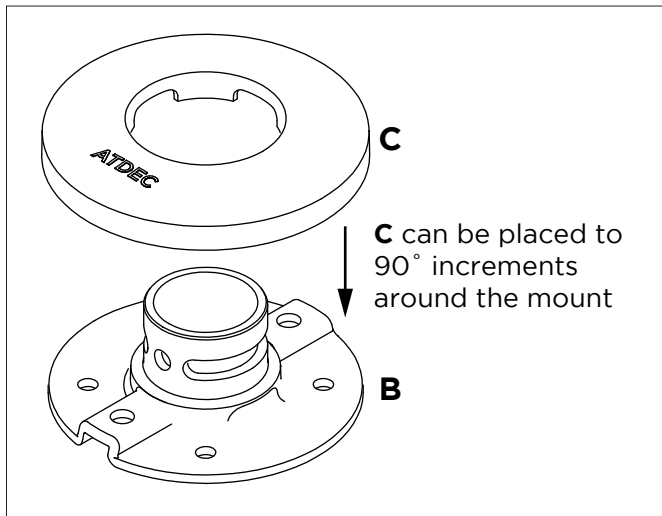
a. Self-Tapping Screws



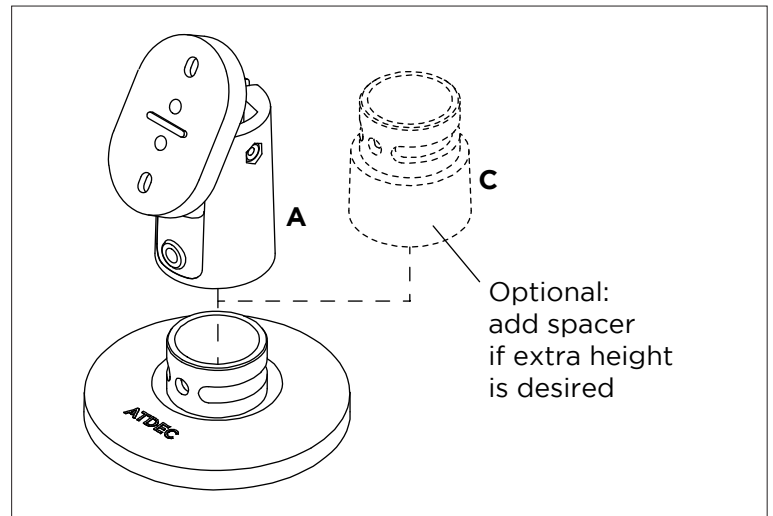
b. Mounting Pad



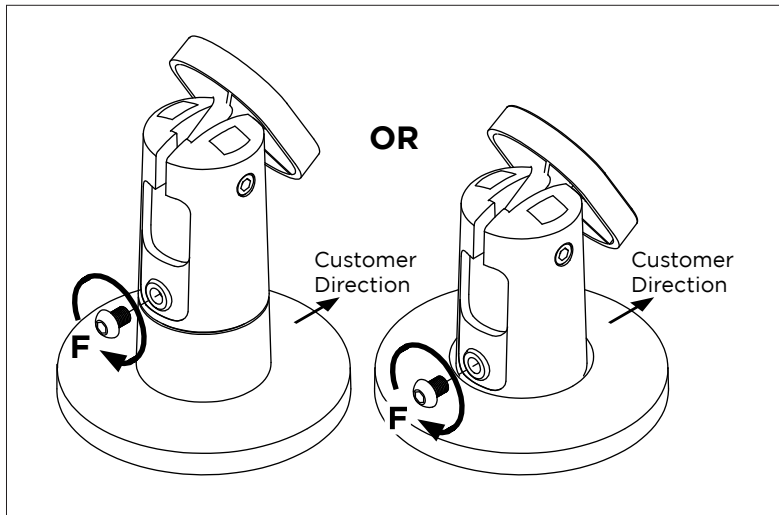
## Step 3: Cover Plate



## Step 4: Mount Tilt Head



## Step 5: Install Locking Screw



## Step 6: Attach Accessory

