

POS Base

Surface Mounting Options

Includes self-tapping screws and self-adhesive pad mounting options

Bolt Through

Bolt through possible with the use of additional fasteners (not included)

Device Mounting Options

Suits a range of accessories, sold separately

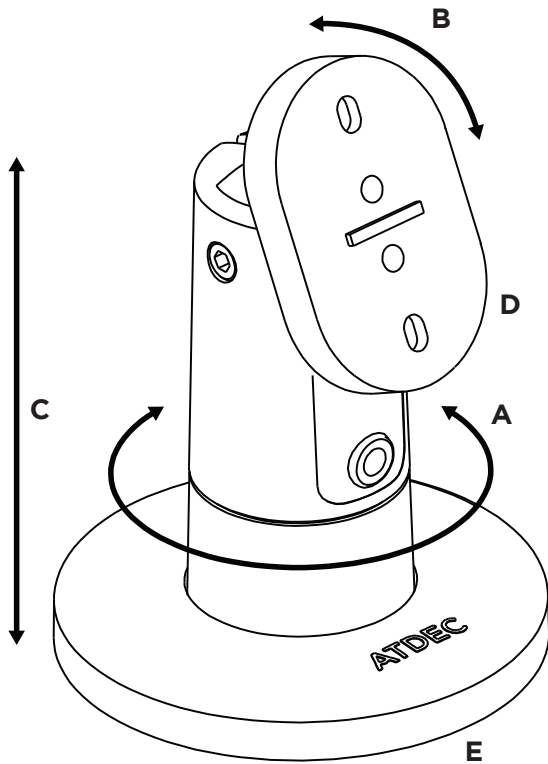
Consist of

Payment Mount
Fasteners
Mounting Hardware

(Payment Plates and other accessories sold separately)

Warranty

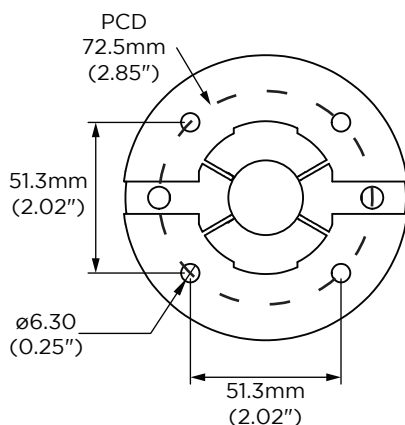
10 years limited



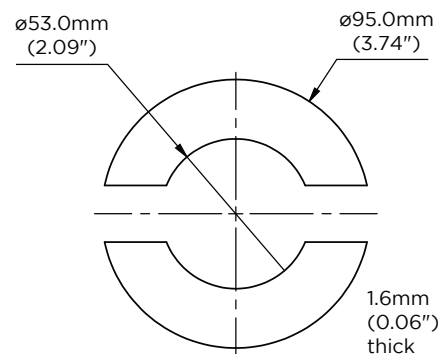
A	310° rotation around mounting point with option for fixed position
B	Tilt angle from 2° back to 80° down
C	Fixed heights of 96mm and 125mm through use of height adjuster spacer
D	Mounting patterns at 15mm and 45mm-50mm spacing
E	Surface mounting options include self-tapping screws as well as self-adhesive pad

Mounting Options

Base Mounting Hole Pattern

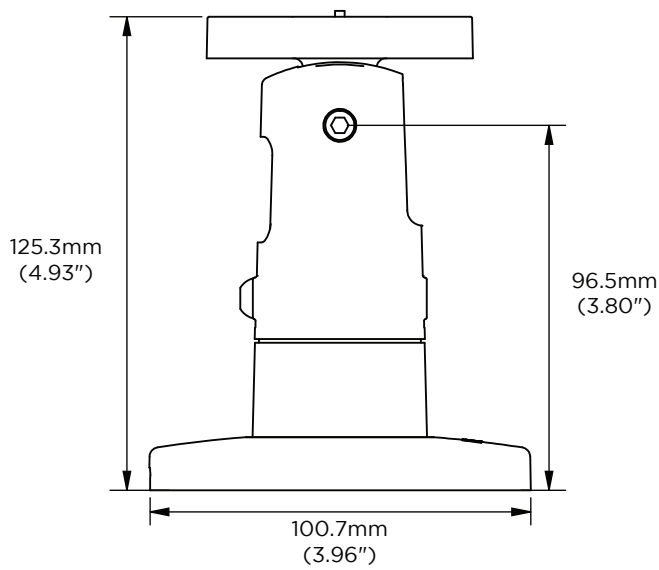


Self-Adhesive Pad

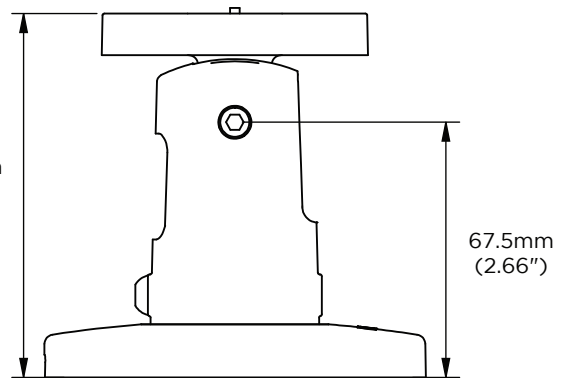


Overall Dimensions

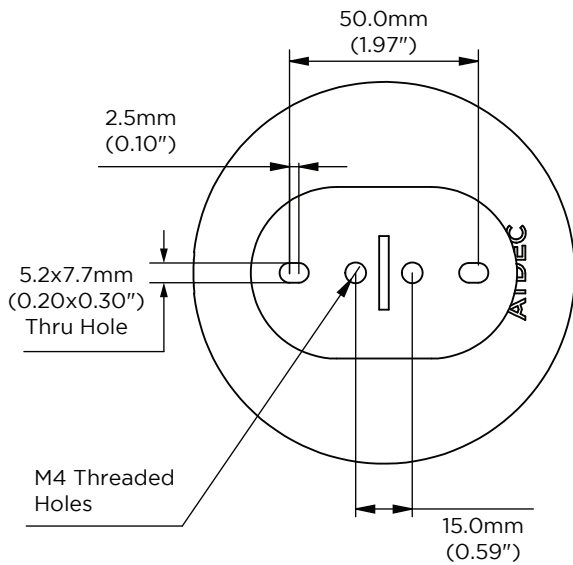
Product Height - with Spacer



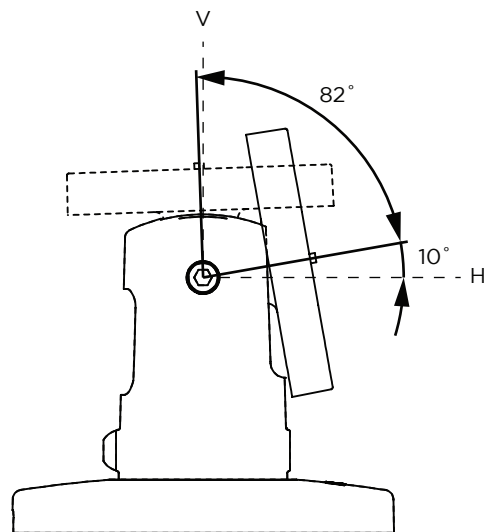
Product Height - without Spacer



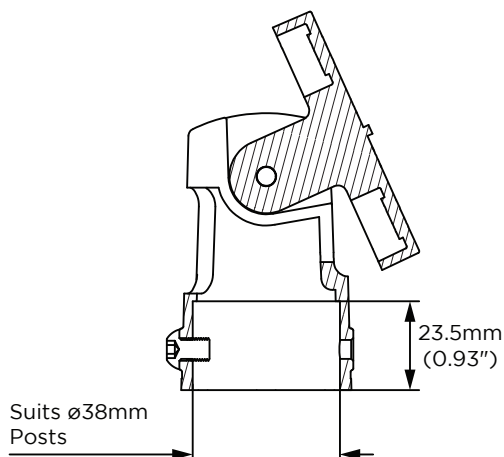
Mounting Detail



Tilt Angles



Post Mounting



Exploded View

