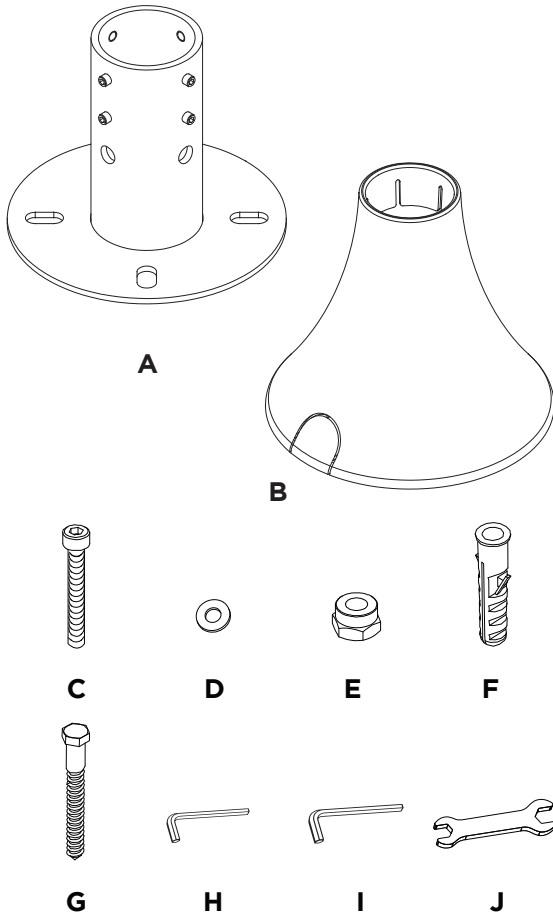


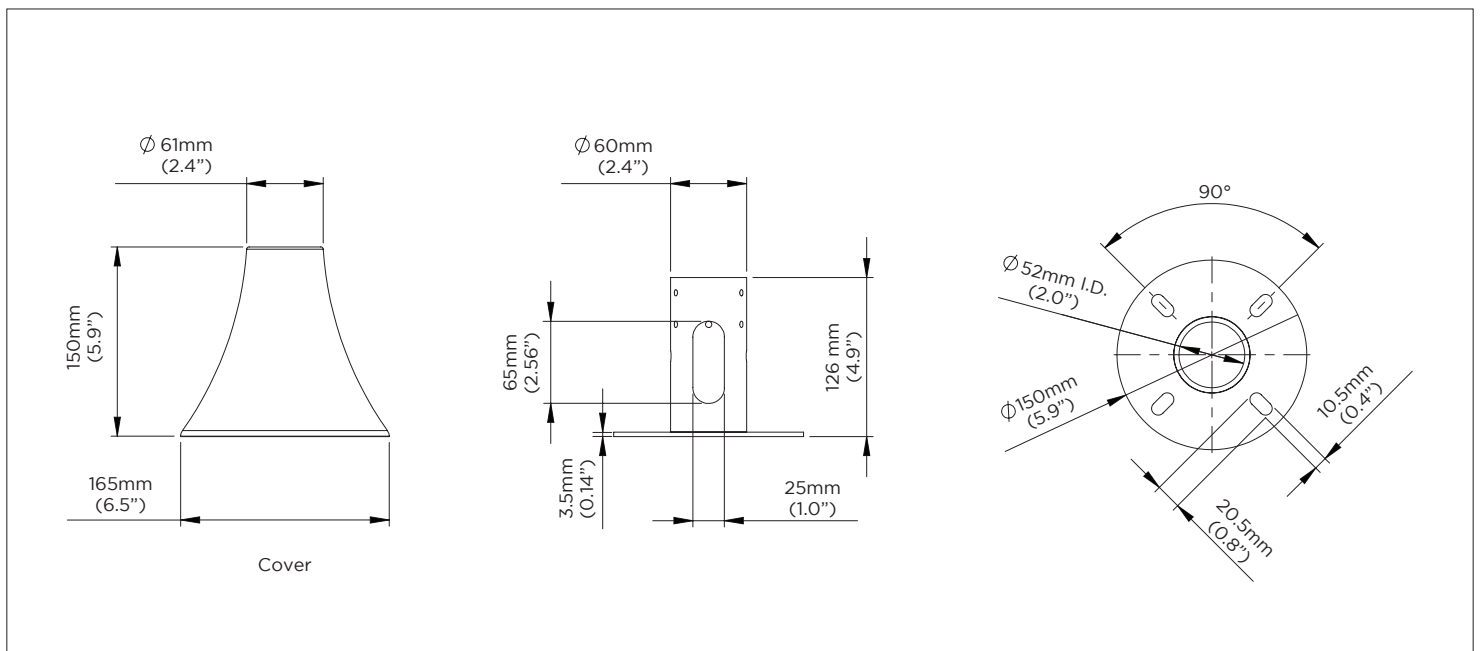
Pole Floor Fixture

COMPONENT CHECKLIST

Item	Name	QTY
A	Floor Mount	1
B	Floor Mount Cover	1
C	M8 x 70mm Screw	1
D	M8 Washer	4
E	M8 Nut	1
F	Plastic Anchor	4
G	Coach Screw	4
H	3mm Allen Key	1
I	6mm Allen Key	1
J	Spanner	1

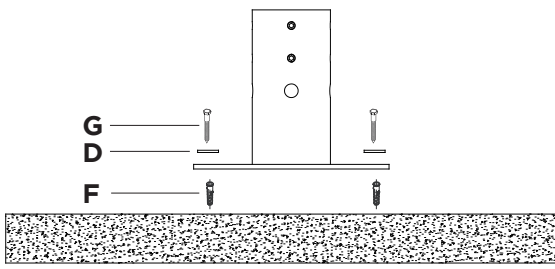


PRODUCT DIMENSIONS

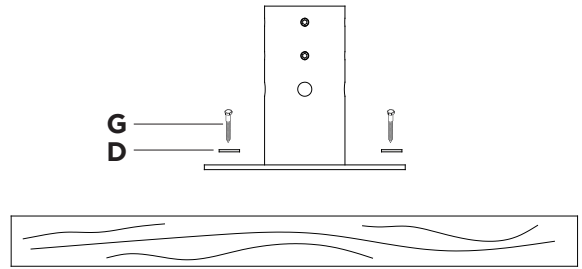


INSTALLATION INSTRUCTION

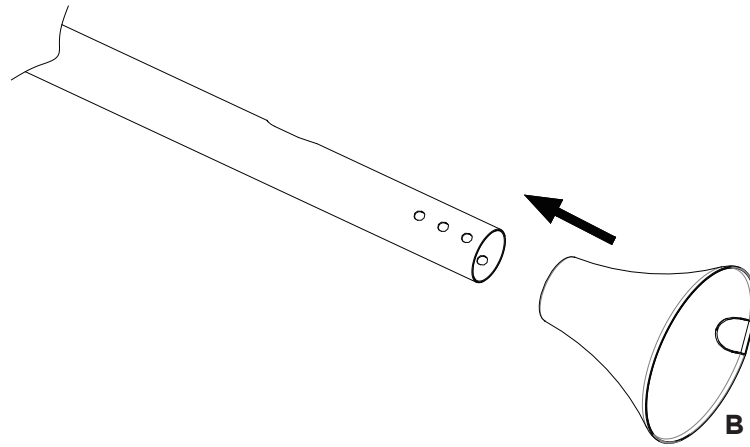
1. Fix to floor
a. Brick or concrete



- b. Wood



2. Place cover over pole end



3. Fix pole in mount

