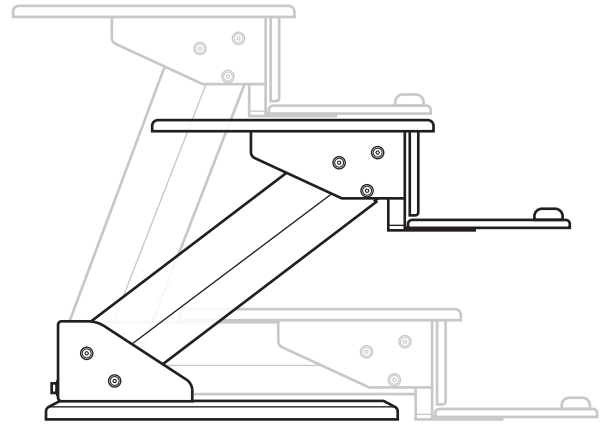
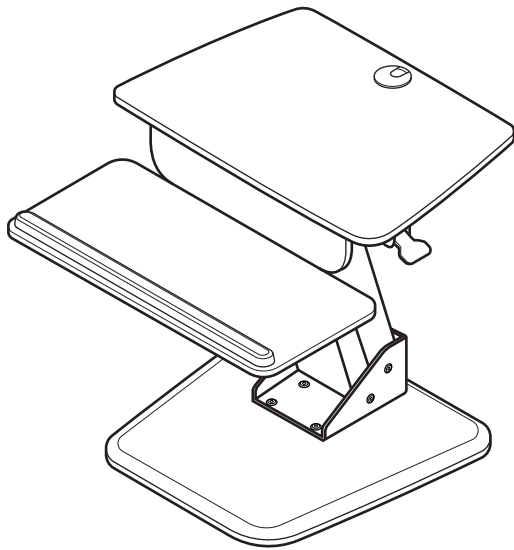


Installation Instructions

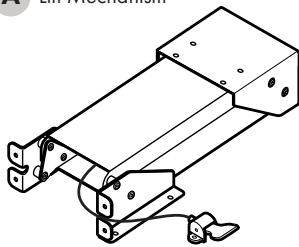
Sit-to-Stand Workstation

Freestanding

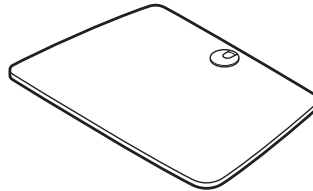


Component Checklist

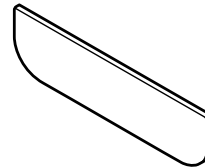
A Lift Mechanism



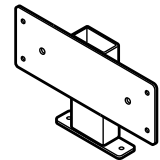
B Work Surface



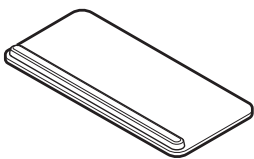
C Keyboard Panel



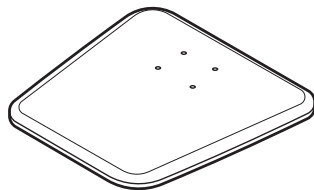
D Keyboard Bracket










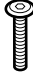
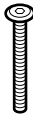
E Keyboard Tray



F Tabletop Base



Hardware

G  Square Pad (x2)	H  Spacer (x2)	I  Large Allen Key	J  Small Allen Key
K  Round Pad (x4)	L  M6X8 (x2)	M  M6X12 (x10)	N  M6X25 (x4)
	O  M6X35 (x2)		

IMPORTANT INFORMATION

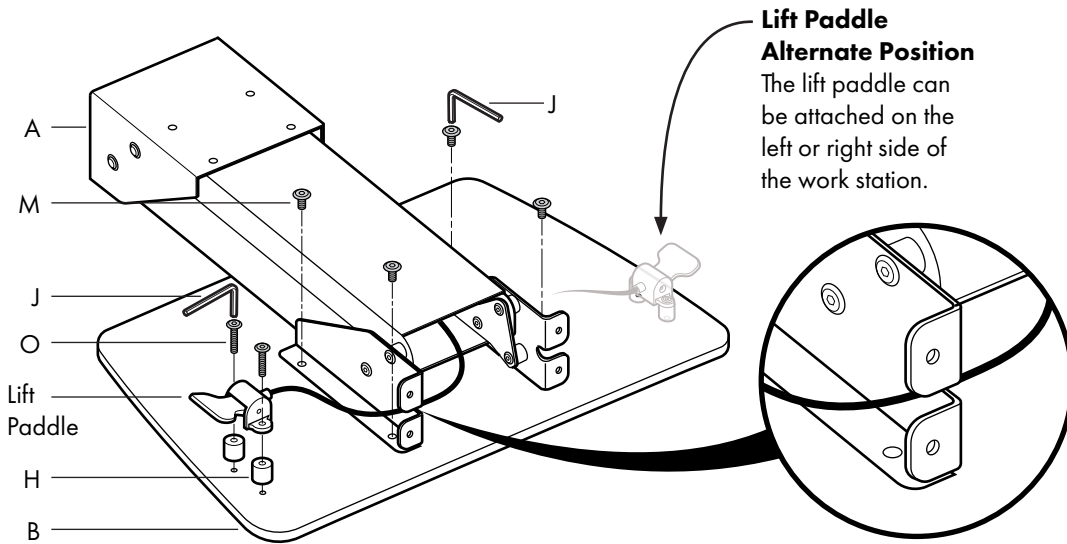
! IMPORTANT - Install as per Installation Instructions

- ! This product is compatible with Visidec™ Focus and SYSTEMA™ monitor mounts.
- ! This product supports a total maximum load of 28.6lbs (13Kg).
- ! The manufacturer accepts no responsibility for incorrect installation.
- ! Excessive pressure on the Keyboard Tray may result in the workstation tipping over.
- ! Ensure any required electrical/data cables have sufficient length to accommodate the sit-to-stand workstation's movement.

Step 1. Check components

Check that you have received all parts against the Component Checklist.

Step 2. Attach lift mechanism to work surface



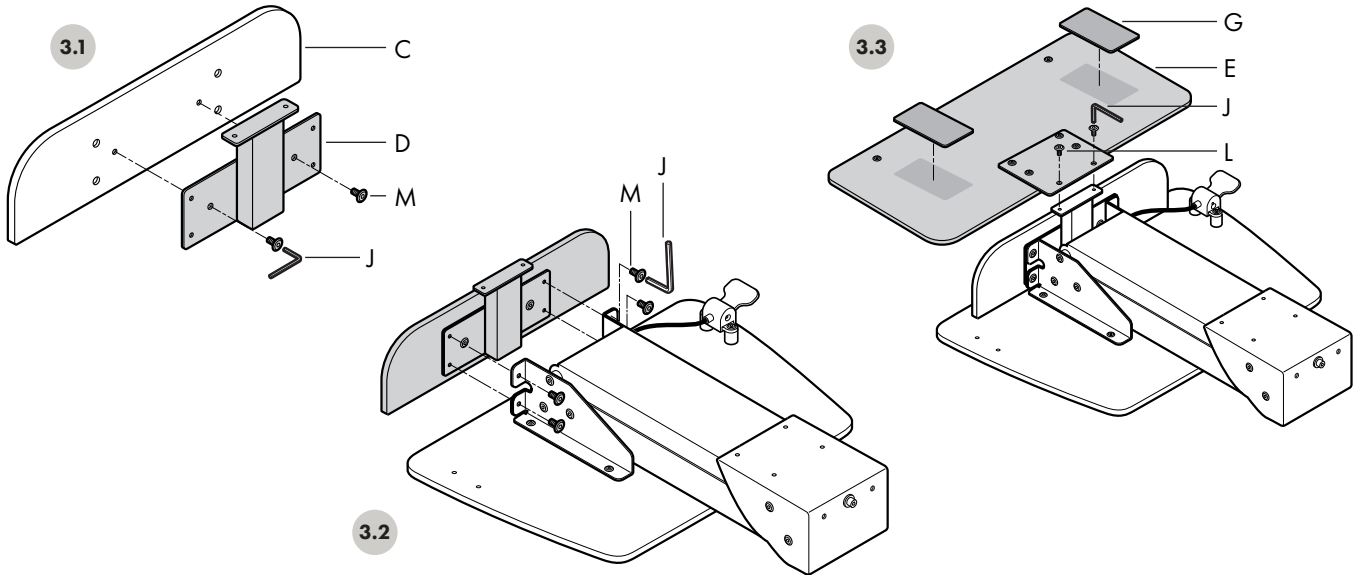
Lift Paddle Alternate Position
The lift paddle can be attached on the left or right side of the work station.



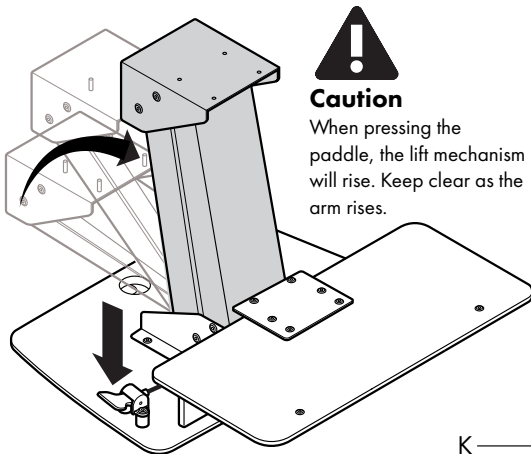
Caution
Avoid pressing the lift paddle until Step 4.

Cable Routing
Route the lift paddle cable through the slot in the plates on the lift mechanism (A)

Step 3. Attach keyboard bracket and tray

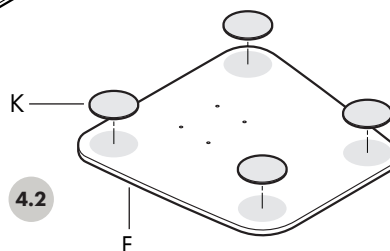


Step 4. Assemble tabletop base

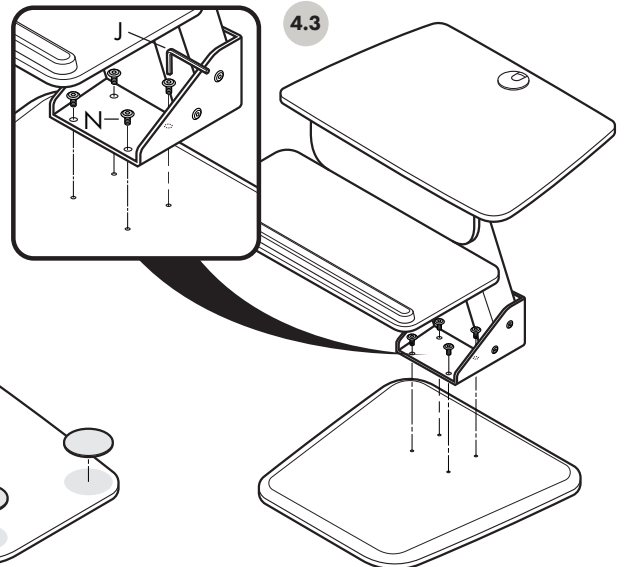


Caution
When pressing the paddle, the lift mechanism will rise. Keep clear as the arm rises.

4.1 Depress the lift paddle to raise the lift mechanism.

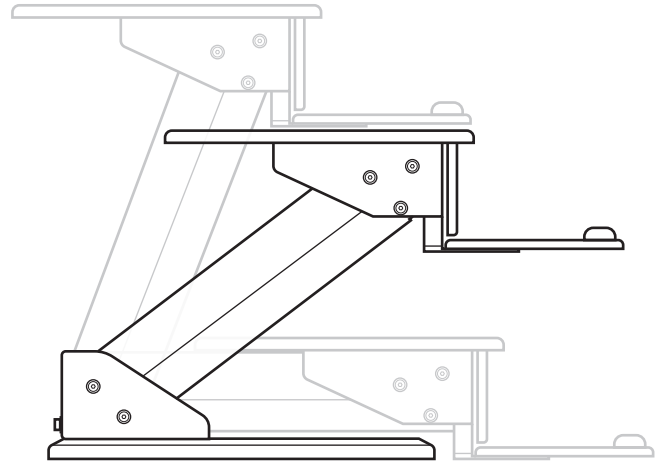
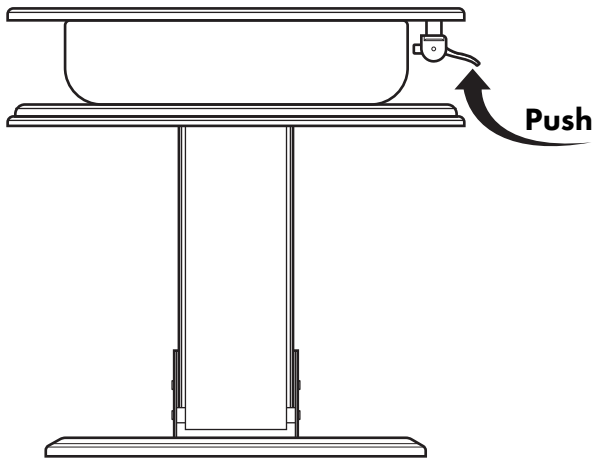


4.2



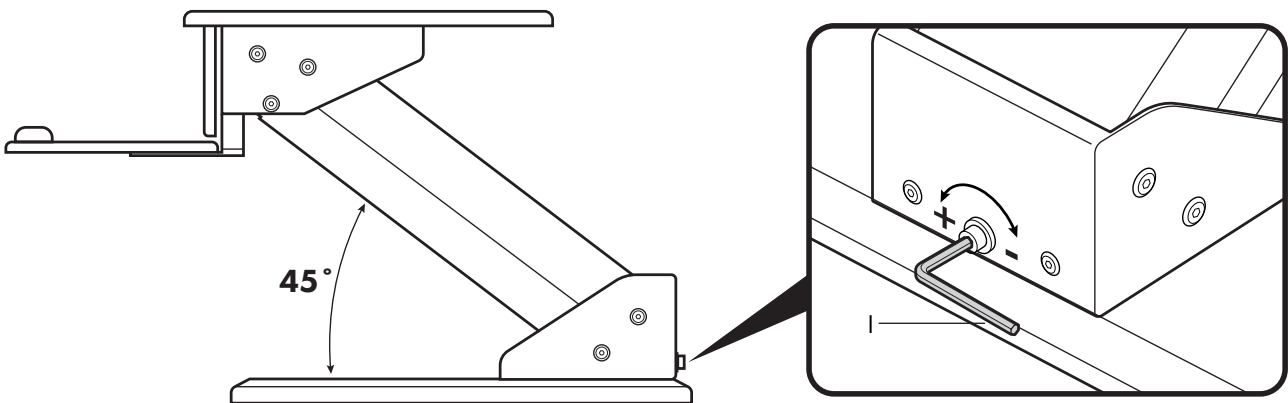
4.3

Step 5. How to adjust from sitting to standing



While gripping onto the sides of the work surface, depress the lift paddle to adjust the height of the work station.

Step 6. Adjust lift assistance



- 6.1 Position the workstation at mid height**
While gripping onto the sides of the work surface, depress the lift paddle and adjust the angle of the lift mechanism to 45° from the table.

- 6.2** Adjust the amount of lift assistance. The workstation should not fall when the lift paddle is depressed.

Note:
For heavier weights turn the adjustment screw towards '+'
For lighter weights turn the adjustment screw towards '-'

Installation Complete

This workstation is compatible with accessories such as monitor mounts. For advice on positioning accessories on this workstation please refer to the Technical Specifications for this product, found on atdec.com.

