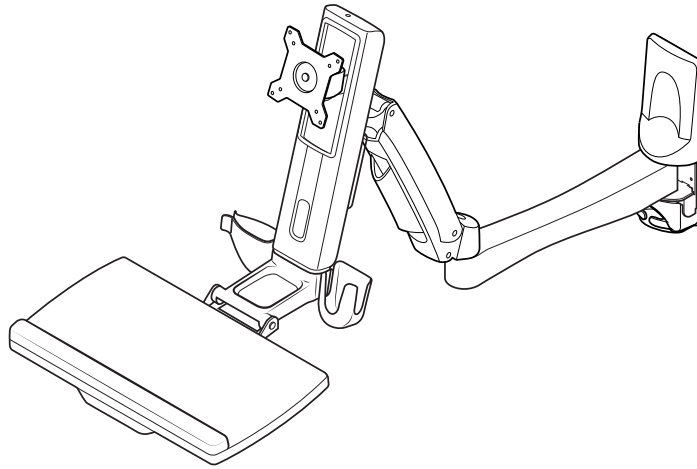


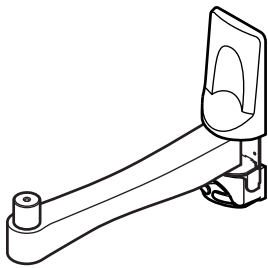
# Installation Instructions

# Sit-to-Stand Workstation

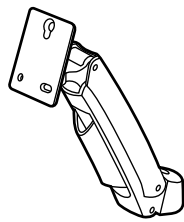
Wall Mounted



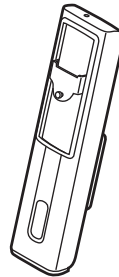
## Component Checklist



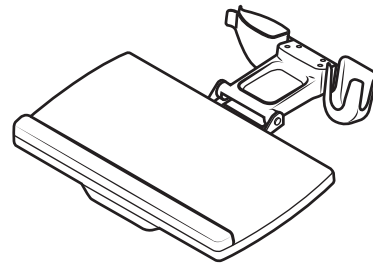
**A** Lower Arm



**B** Upper Arm



**C** Vertical Screen Slider



**D** Keyboard Tray



**E** Tilt Head

### Tools Required

- 8mm wrench
- Drill
- 10mm masonry bit
- 4.5mm drill bit
- Ratchet
- Spirit Level
- Stud Finder
- Pencil

### Wall Mounting Hardware

**F**



Coach Screw (x6)

**G**



Nylon Anchor (x6)

### Hardware

**H**



2.5mm Allen

**J**



5mm Allen

**K**



6mm Allen

**L**



8mm  
1/4" Drive

**M**



Plastic Washer (x1)

**N**



Metal Washer (x1)

**O**



M8X20 (x1)

**P**



M6X12 (x4)

**Q**



M6X10 (x3)

**R**



M6X8 (x1)

**S**



M4x10 (x4)

**T**



Velcro Strip (x2)

## IMPORTANT INFORMATION

### ! IMPORTANT - Install as per Installation Instructions

! The manufacturer accepts no responsibility for incorrect installation.

! This product supports a maximum load 8Kg (17.6lbs.)

! The wall mount can be installed on vertical, flat, solid concrete or brick walls, or timber stud walls only.

! The wall should be strong enough to sustain a weight of at least four times that of the display and wall mount bracket combined. If in doubt, consult a structural engineer.

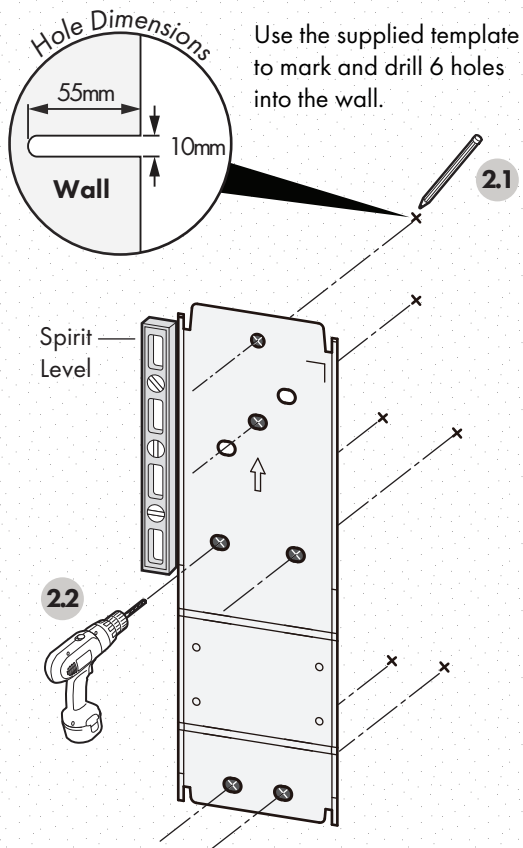
! Check wall anchors and screws every 3 months from the time of installation to ensure the workstation is firmly fixed to the wall.

! Tighten all screws (do not exert excessive force to avoid breaking the screws or damaging their thread)

## Step 1. Check Components

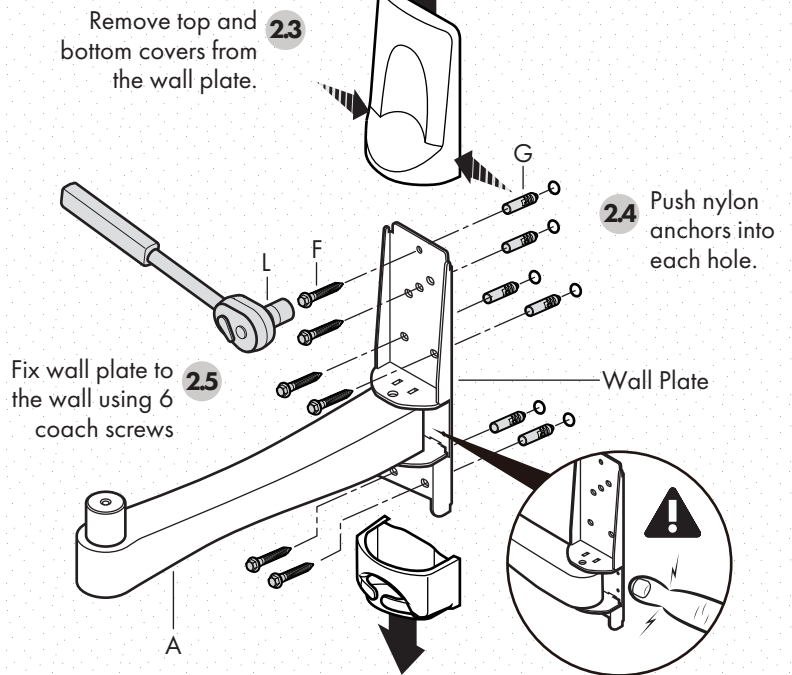
Check that you have received all parts against the Component Checklist.

**Step 2. Option A - Masonry or cement wall installation**



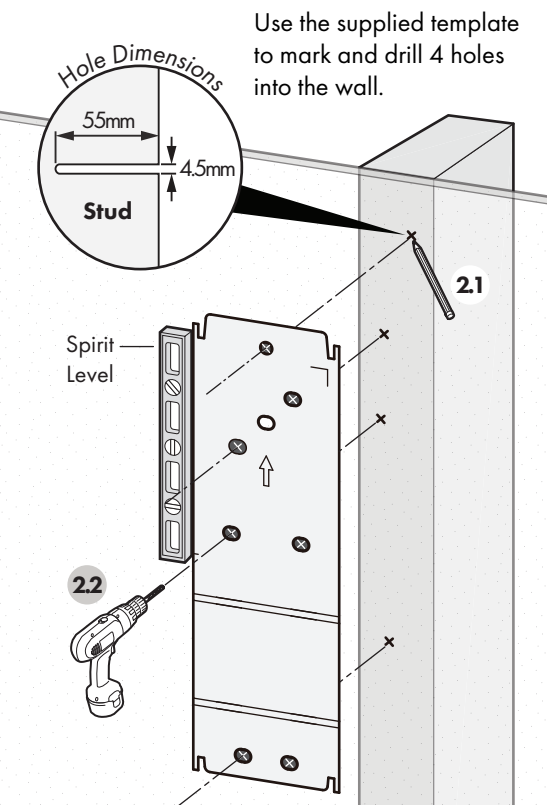
**Note:** For optimum performance, use a spirit level to ensure straight installation.

Two people required



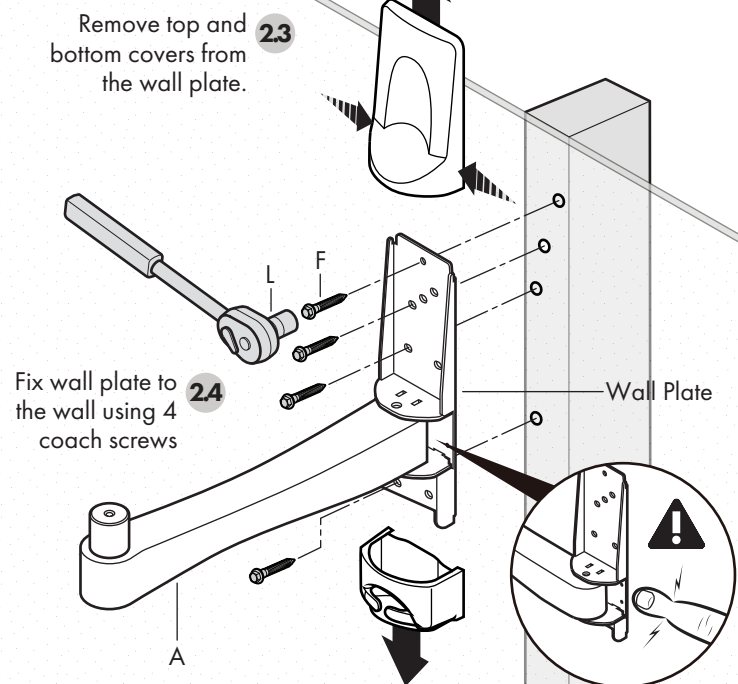
**Tip:** Screw in the top coach screw first.

**Step 2. Option B - Stud wall installation**



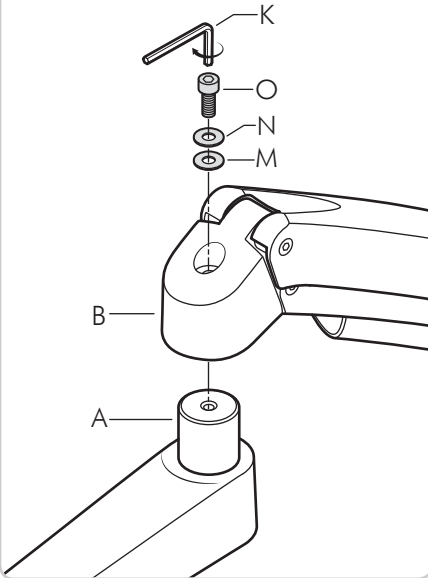
**Note:** Use a stud finder to ensure all holes are drilled into the stud.

Two people required

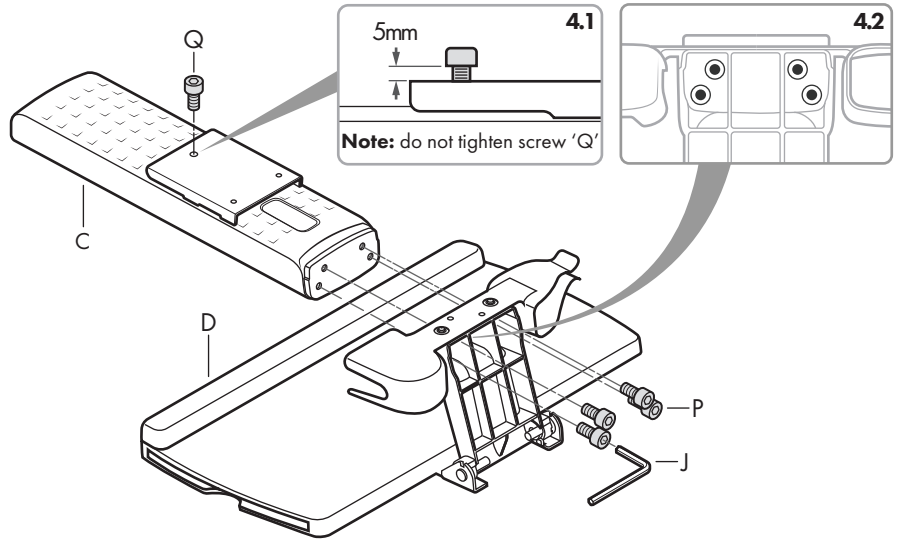


**Tip:** Screw in the top coach screw first.

**Step 3. Assemble upper arm**

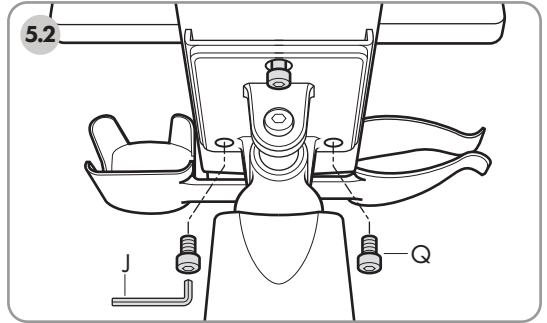
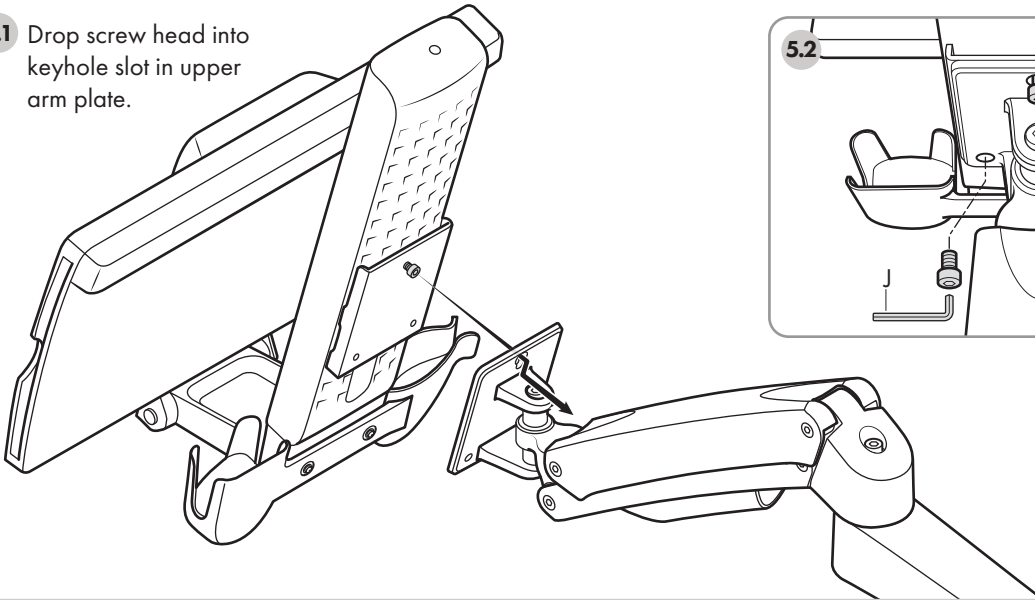


**Step 4. Assemble slider to keyboard tray**

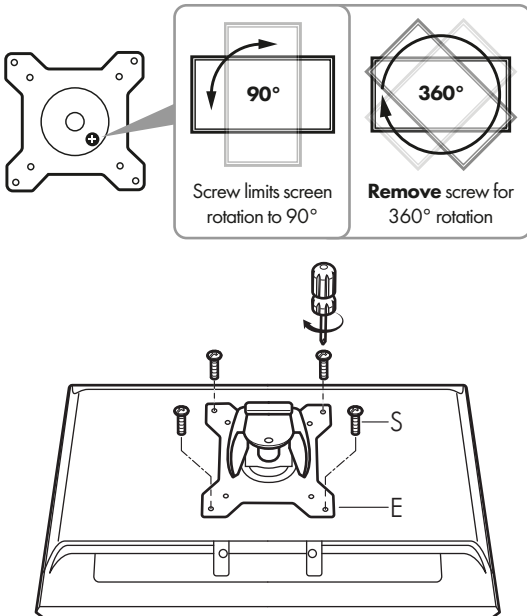


**Step 5. Assemble slider to keyboard tray**

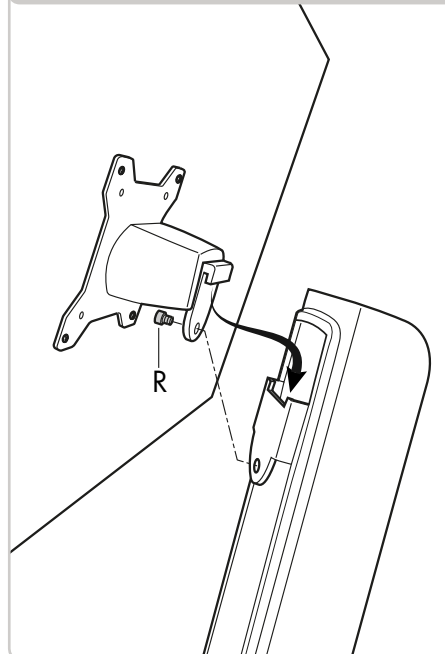
**5.1** Drop screw head into keyhole slot in upper arm plate.



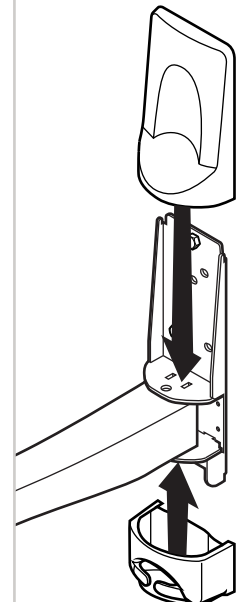
**Step 6. Attach tilting head to screen**



**Step 7. Attach screen to arm**

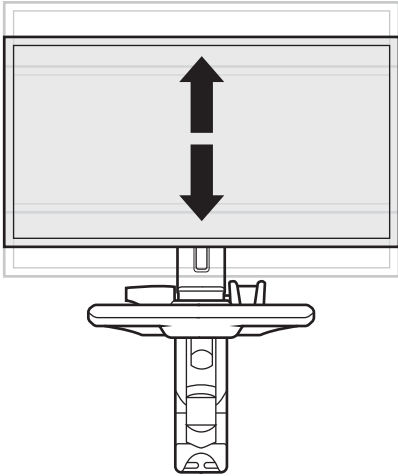


**Step 8. Replace covers**

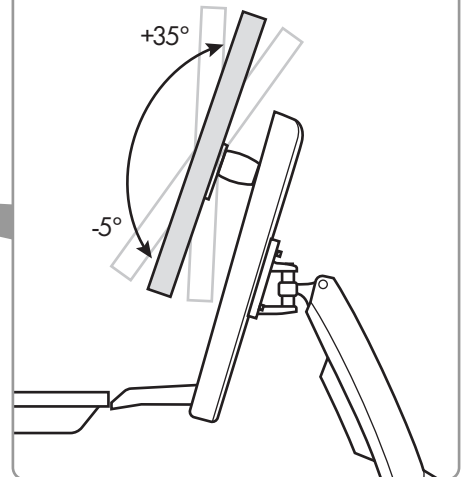


## Adjusting

### Screen Height Tension



### Screen Tilt Tension

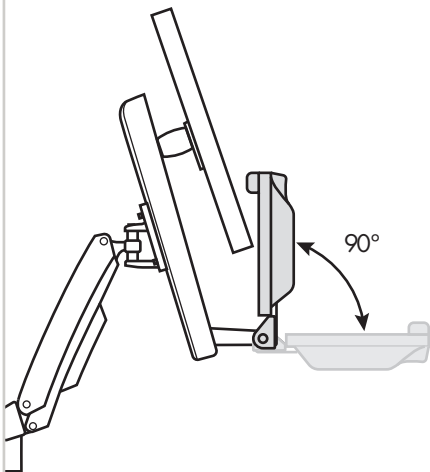


Tension Adjustment Points



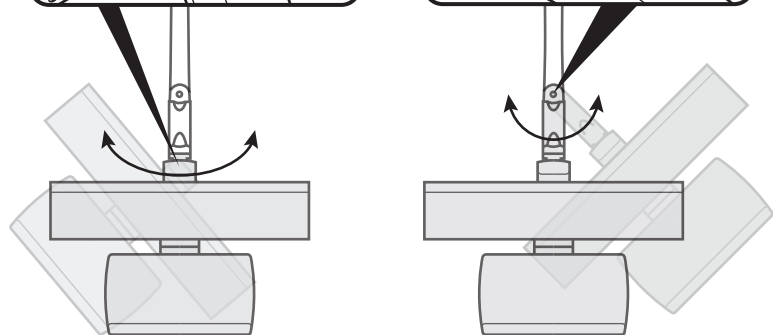
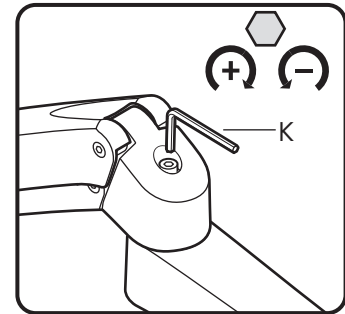
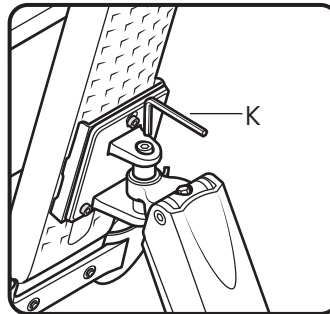
### Keyboard Tray Storage

The keyboard tray can be folded away for storage.



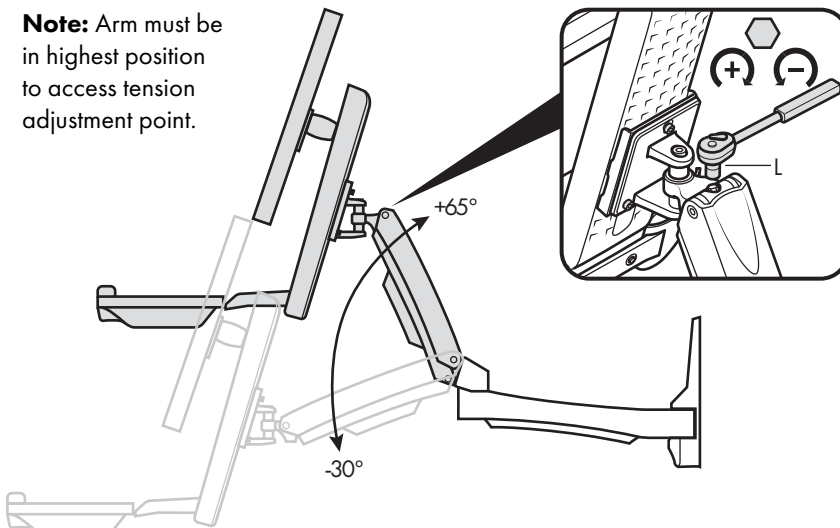
**Note:** Supplied velcro strips secure the keyboard when stowed.

### Arm Rotation Joint Tension

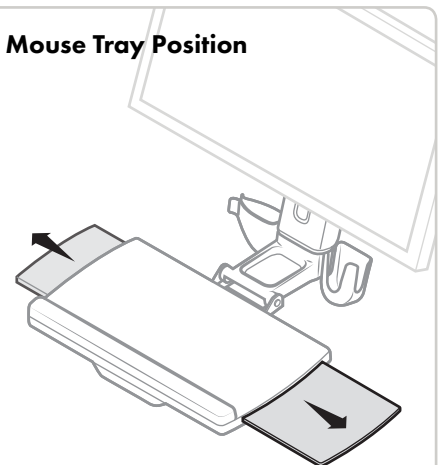


### Arm Height Tension

**Note:** Arm must be in highest position to access tension adjustment point.



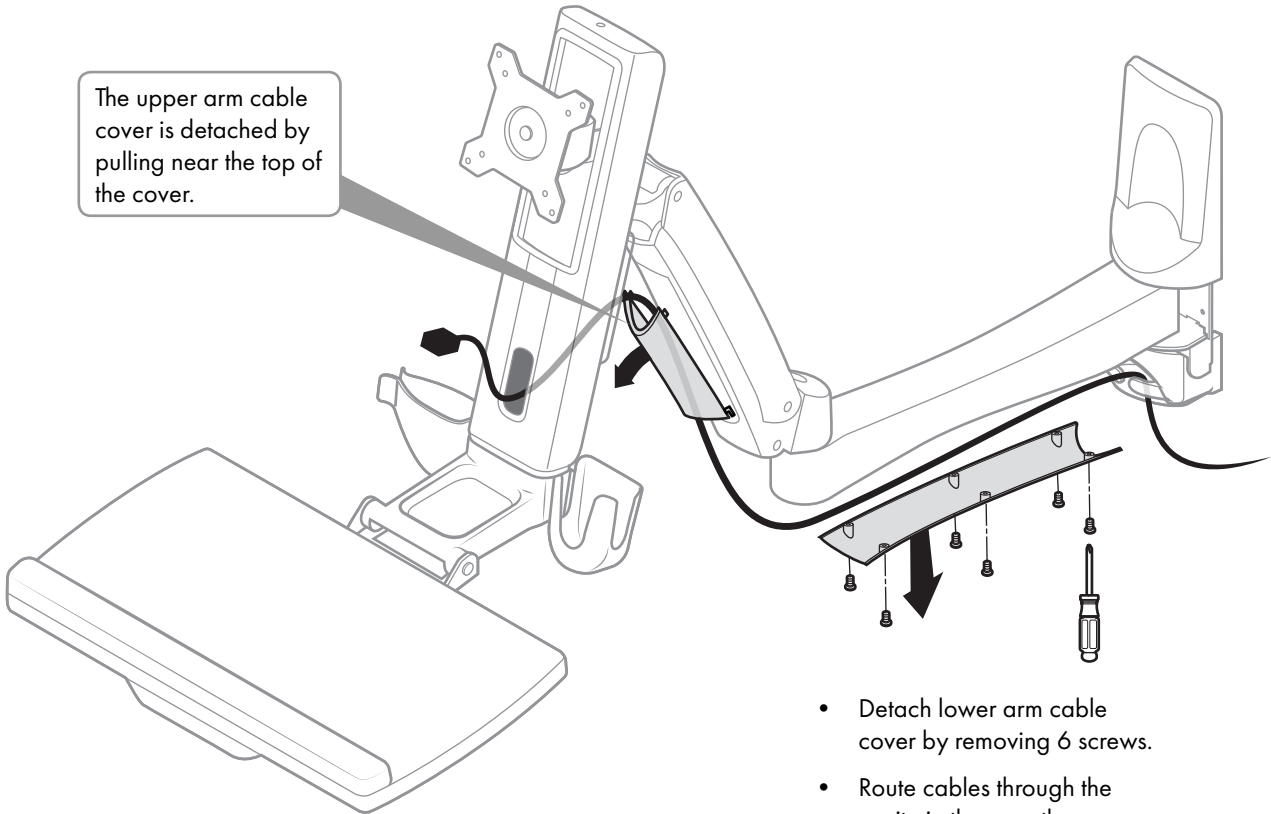
### Mouse Tray Position



The mouse tray can be positioned on the left or right of the keyboard tray.

**Cable Management.** Route cables through arm.

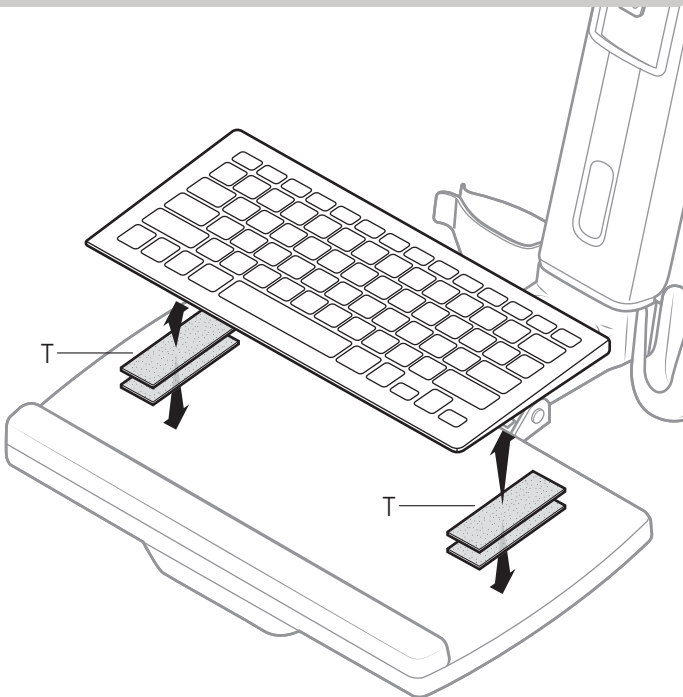
The upper arm cable cover is detached by pulling near the top of the cover.



- Detach lower arm cable cover by removing 6 screws.
- Route cables through the cavity in the arm, then reattach the cover.

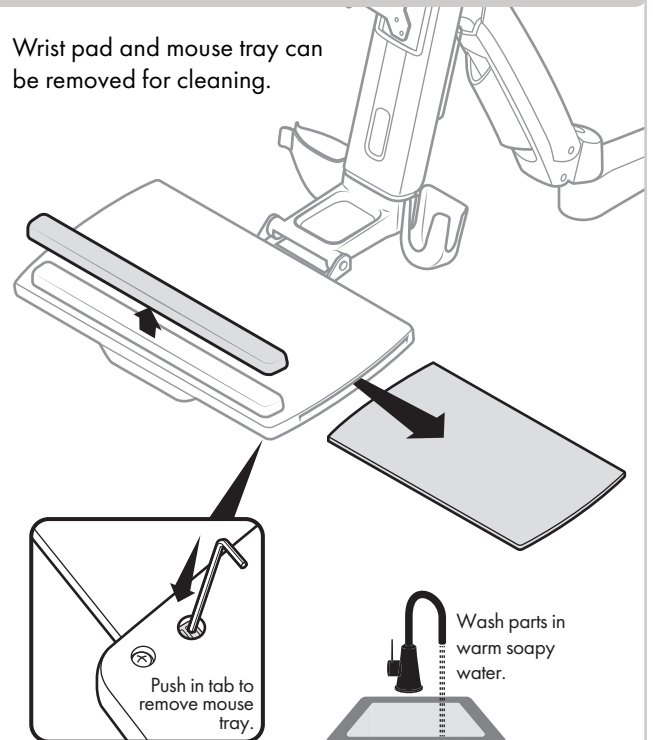
**Note:** Ensure there is sufficient slack in the cables to accommodate the workstation's range of movement.

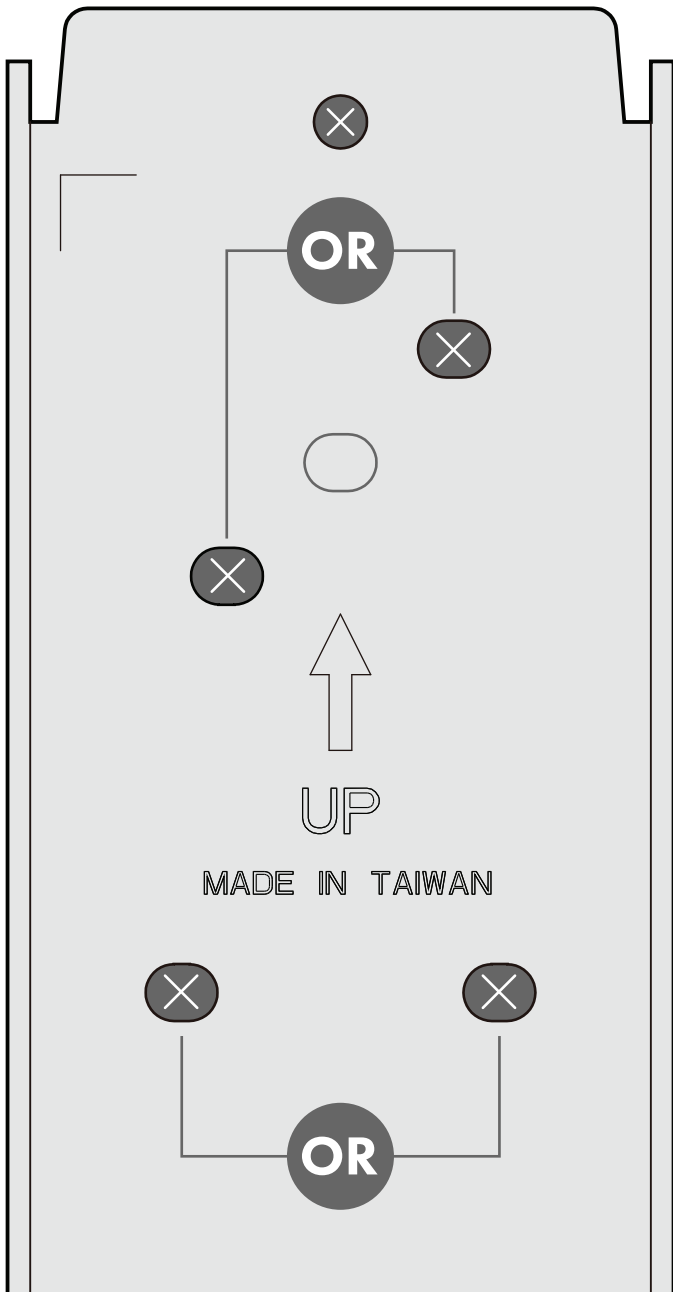
**Secure Keyboard** Attach velcro to keyboard and tray



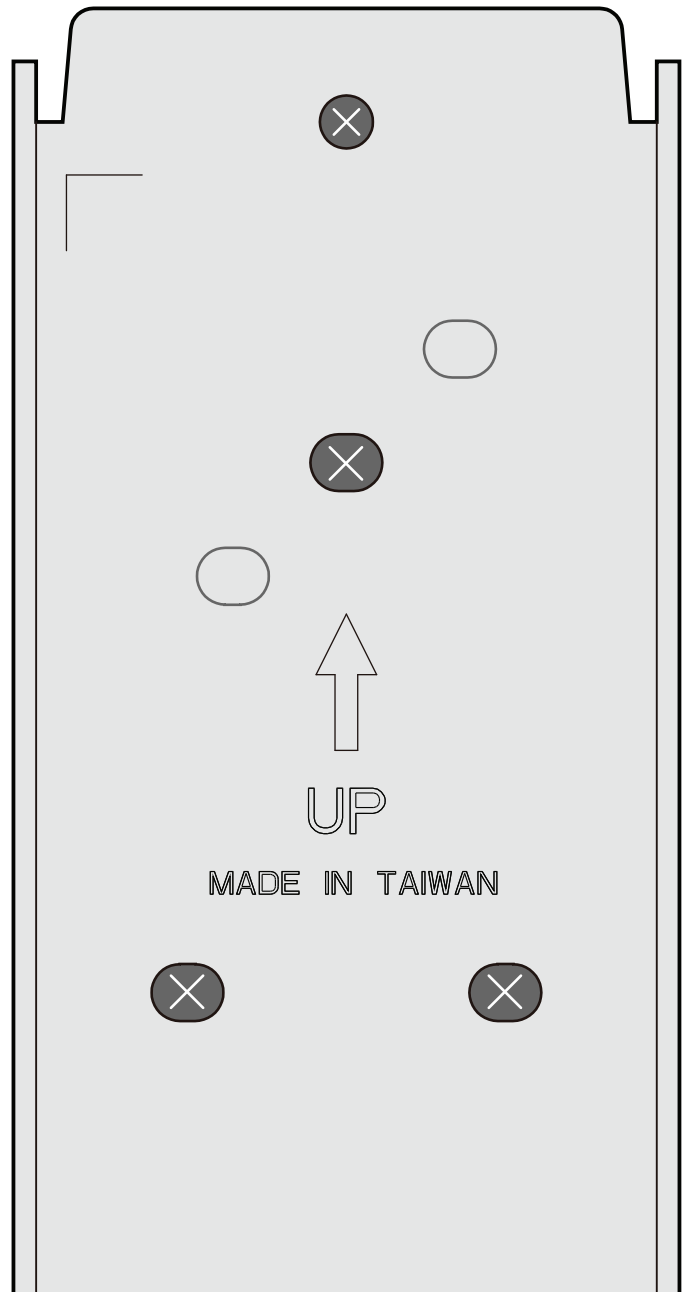
**Cleaning**

Wrist pad and mouse tray can be removed for cleaning.





MADE IN TAIWAN



MADE IN TAIWAN



**Stud Wall**  
**Drilling Template**

Only drill holes marked with an 'X'



**Masonry Wall**  
**Drilling Template**

Only drill holes marked with an 'X'

