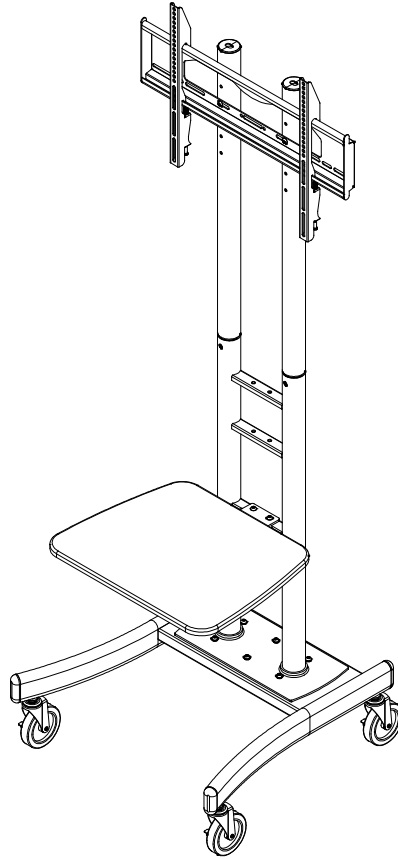
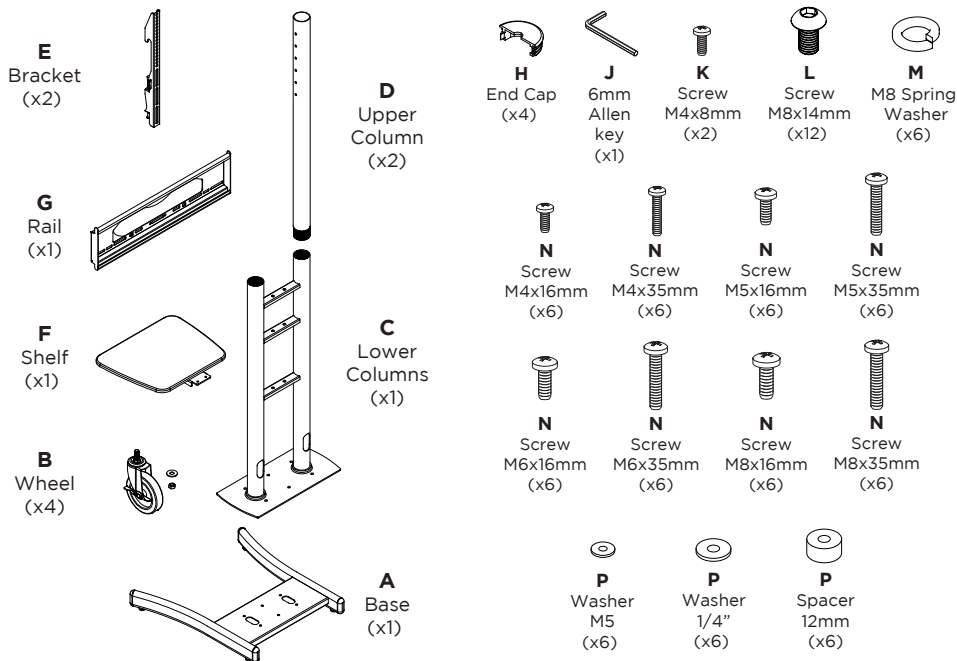


TV Cart



COMPONENT CHECKLIST

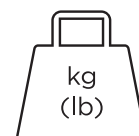


Floor

REQUIRED TOOLS

- Phillips Head Screwdriver

WEIGHT RANGE



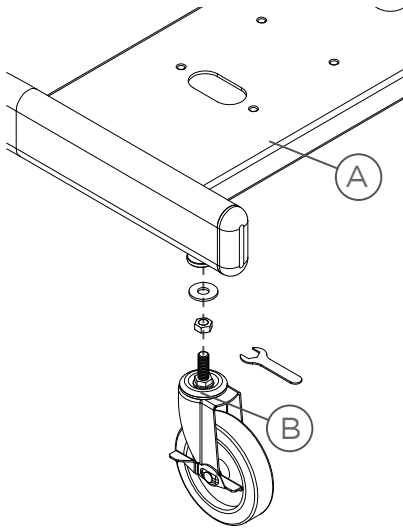
0 - 50kg
(0 - 110lbs)

IMPORTANT INFORMATION

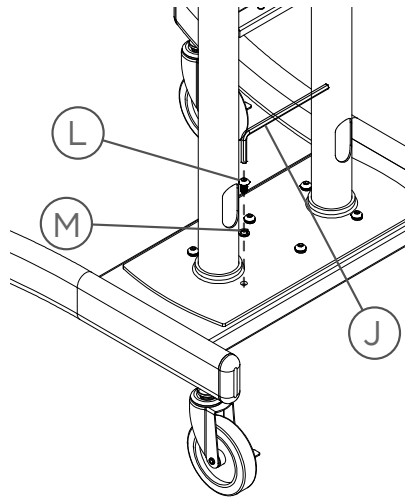
- ! Please ensure this product is installed as per these installation instructions.
- ! The manufacturer accepts no responsibility for incorrect installation.
- ! Note: The maximum load to be applied to the shelf is 5Kg (11lbs)

Assembly instructions

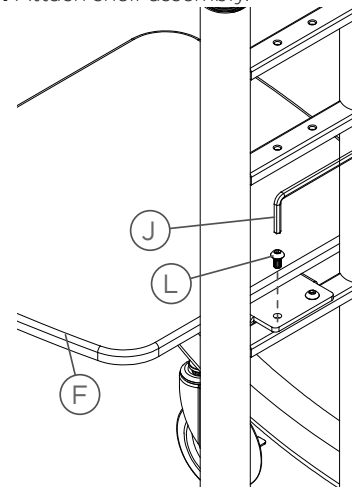
1. Attach wheels to base.



2. Attach lower columns to base using 6x M8x14 screws and spring washers..

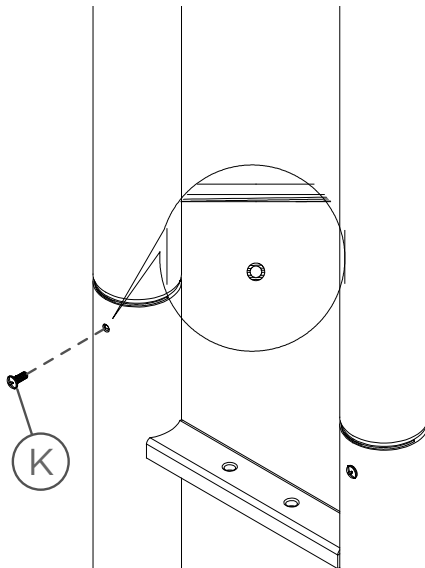


3. Attach shelf assembly.

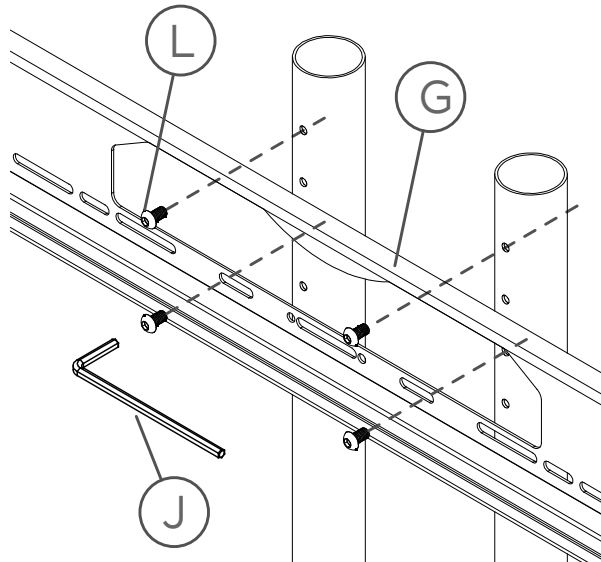


Note: The shelf can be installed at one of three heights from the floor: 559mm, 772mm or 902mm.

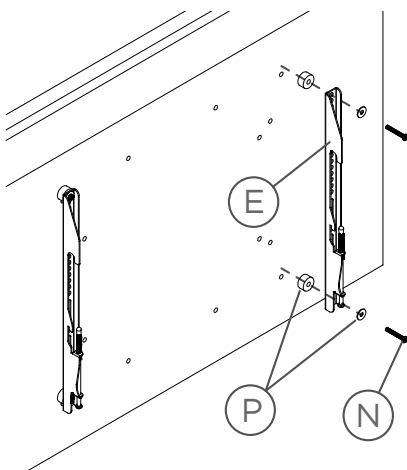
4. Screw 2x upper columns to lower columns, then secure in place with screws.



5. Install the rail at the desired height.

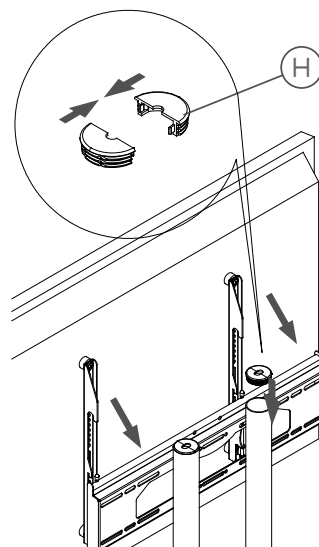


6. Mount the display to the brackets using the suitable screws and spacers.

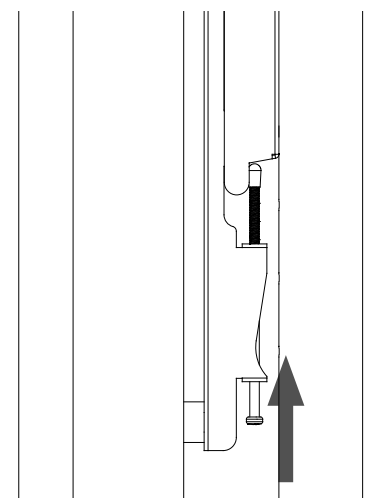


Note: Not all displays will require the use of spacers shown here.

7. Install the display by hooking the brackets (H) to the rail. Place the end caps into the top of each column.



8. Fasten the screws attached to the rear of the bracket to the rail. Place the end caps into the top of each column.



Note: The installation is now complete!