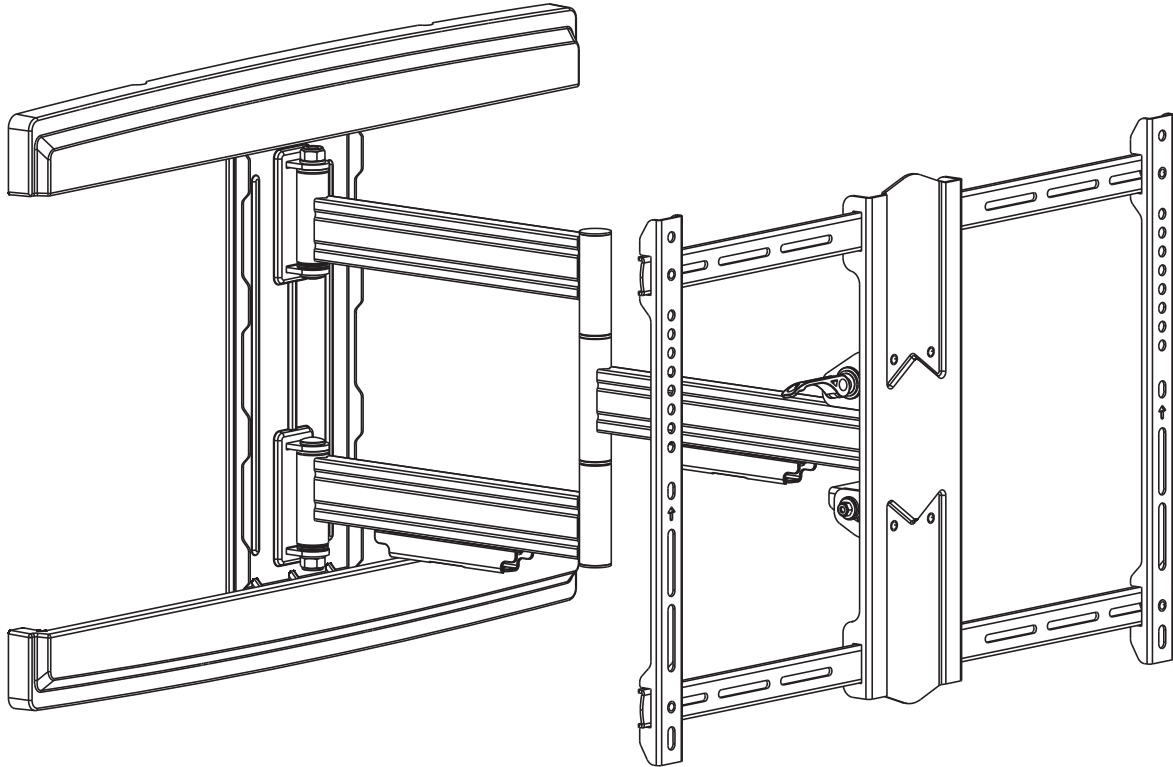


Full Motion Wall Mount 5060



FEATURES

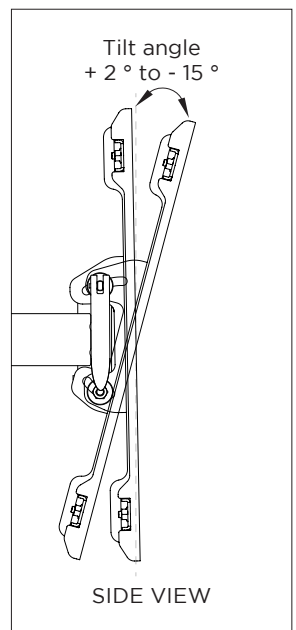
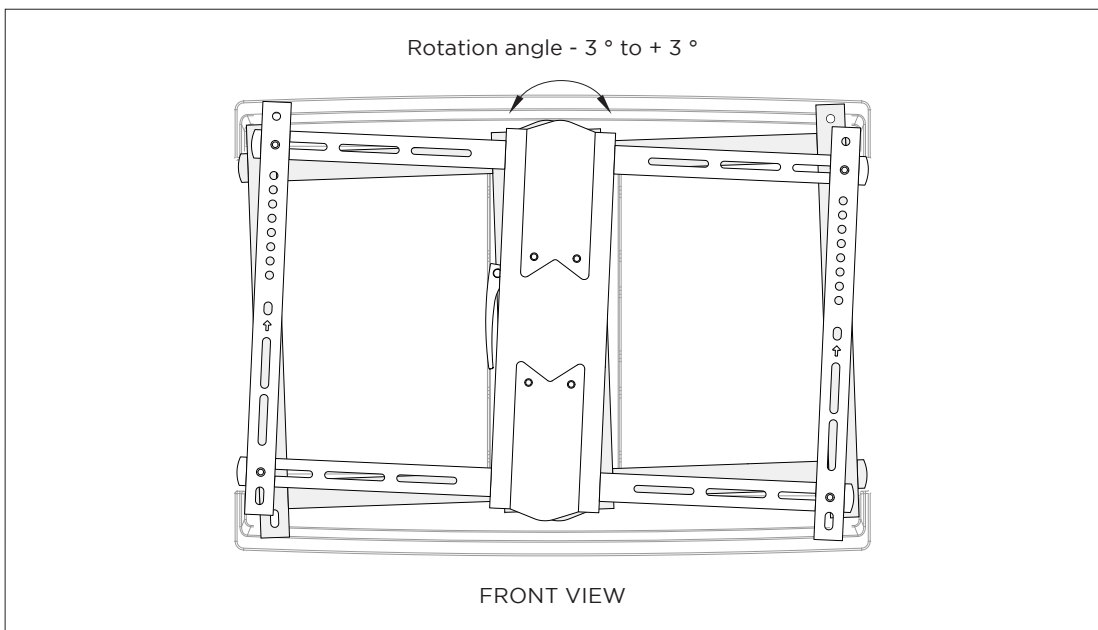
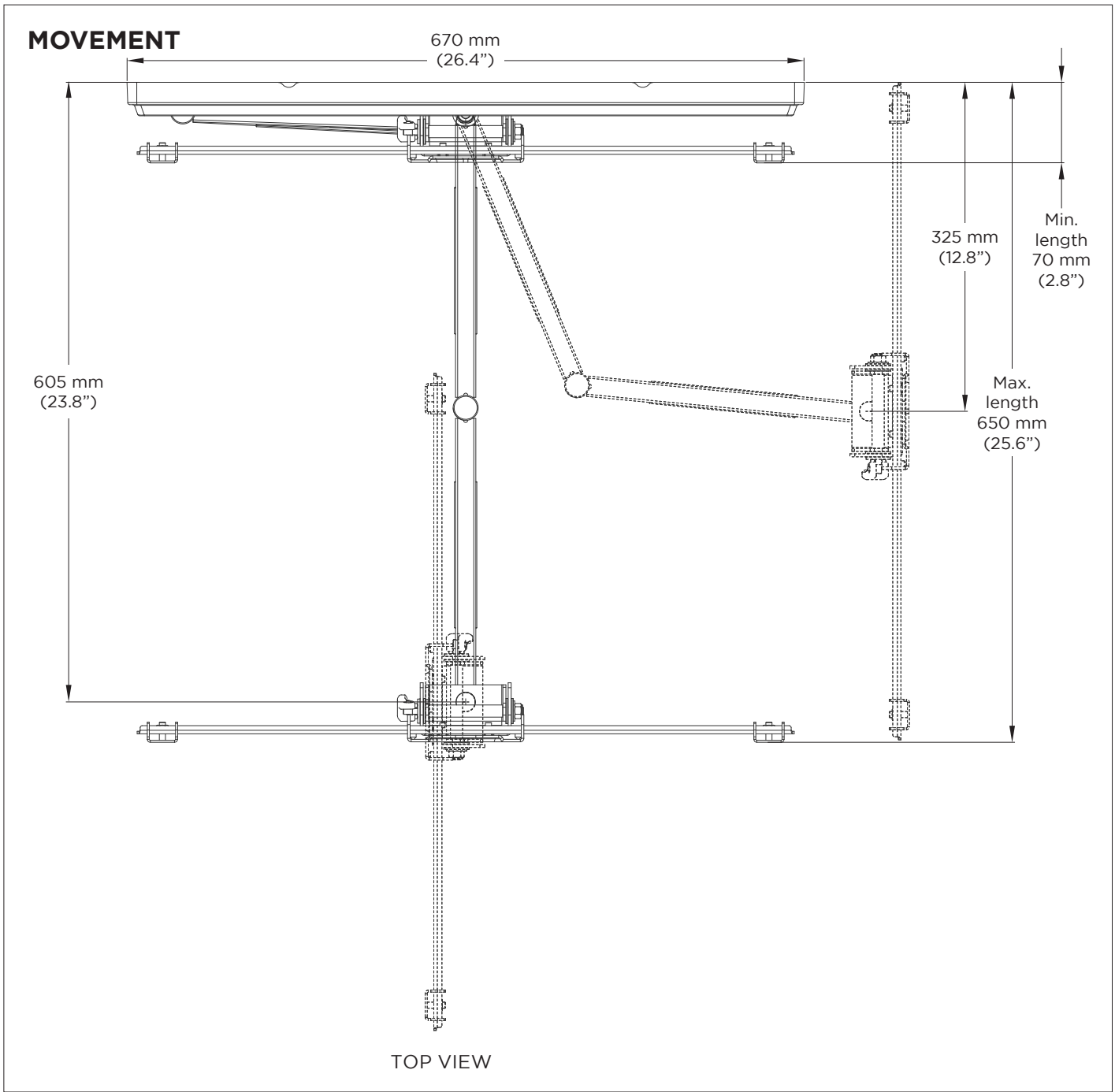
- Designed for precise display positioning with provision to laterally shift arms horizontally on wall plate during installation
- Discreet cable management
- Toolless tilt tension adjustment
- Suitable for installation on most types of wall construction when paired with appropriate hardware (wall mounting hardware not included)
- Supplied with display mounting hardware and installation guide

Display weight	0 - 50kg (0 - 110lb)*
Display size	32" - 70"
Tilt adjustment	+2° / -15°
Pan adjustment	+/- 90°
Rotation adjustment	+/- 3°
Lateral shift adjustment	+/- 200mm (7.9")
Min. profile to wall	70mm (2.8")
Max. extension	650mm (25.6")
VESA mounting	Universal; 200x100 - 600x400
Primary material	Steel

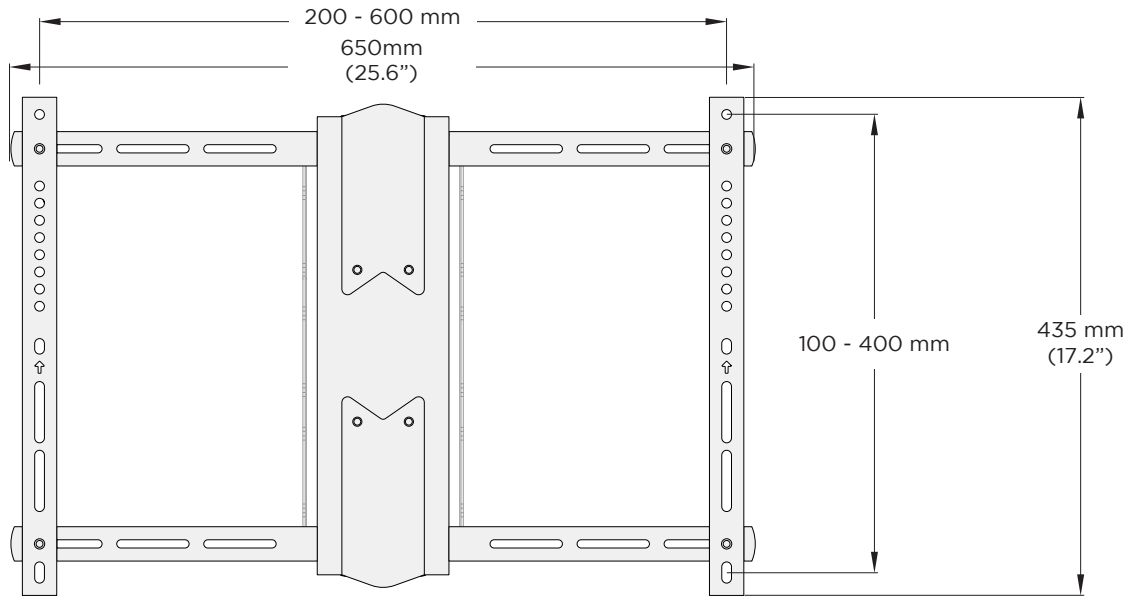
*Curved displays, deep devices, VESA mounted accessories (such as mini PC brackets and mounts), and offset VESA locations exert additional leverage that can exceed the capacity of the mount even though the display weight may be within the stated range. Please contact Atdec if you would like further information.

WARRANTY

10 years limited



VESA DISPLAY BRACKET DIMENSIONS



WALL PLATE DIMENSIONS

