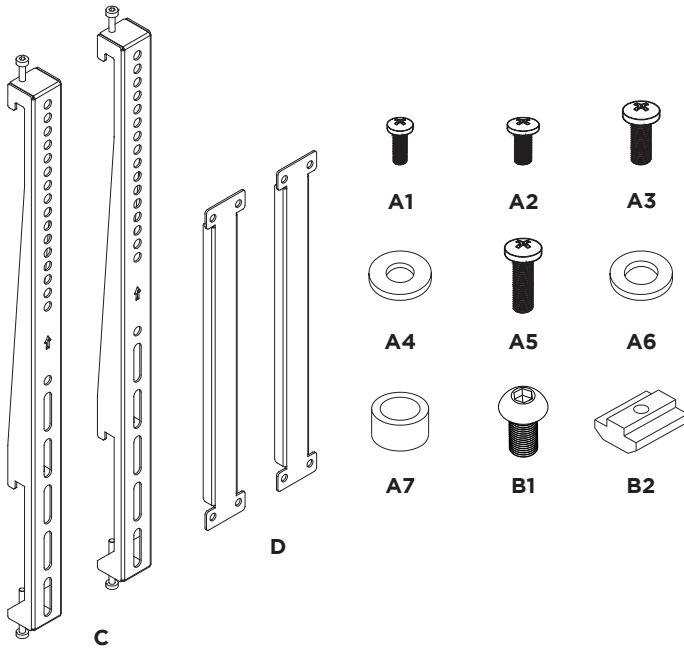
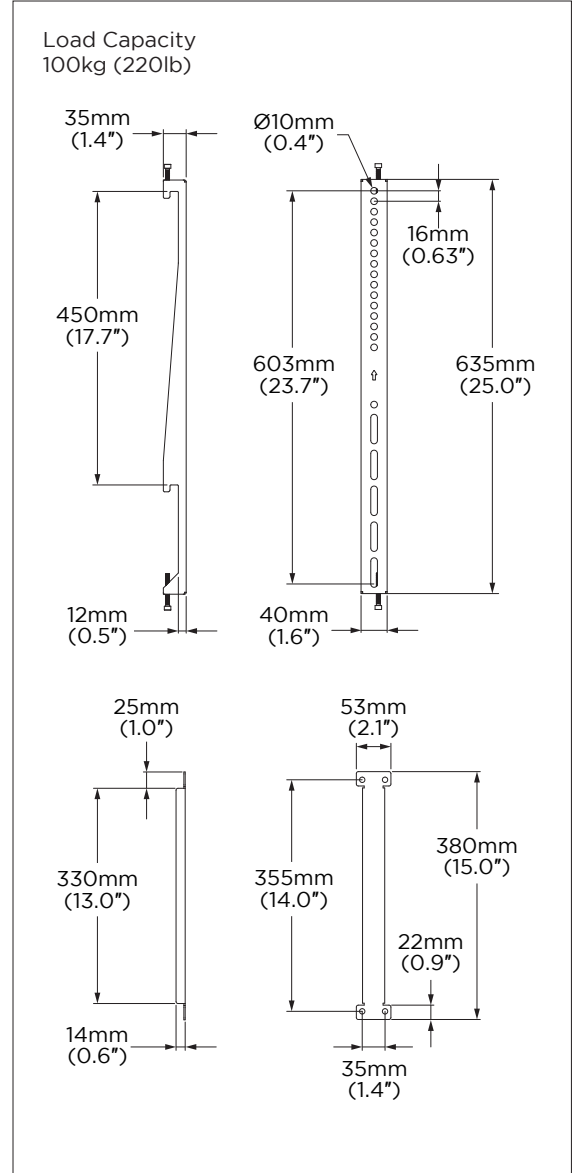


ADB Heavy Duty 600 Fixed Bracket



PRODUCT DIMENSIONS

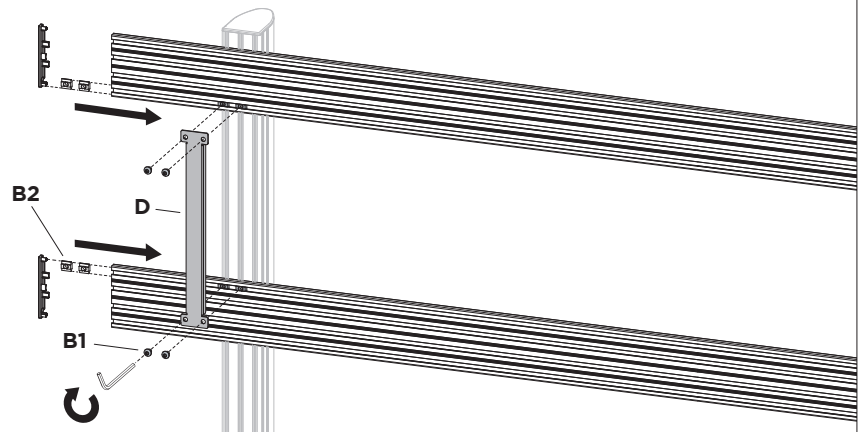


COMPONENT CHECKLIST

Item	Name	QTY
A1	M5 x 15mm Screw	4
A2	M6 x 15mm Screw	4
A3	M8 x 25mm Screw	4
A4	M6 Washer	4
A5	M8 x 45mm Screw	4
A6	M8 Washer	4
A7	Spacer	4
B1	M8 x 10mm Screw	8
B2	M8 T-Nut	8
C	Heavy Duty Display Bracket	2
D	Rail Spacer	2

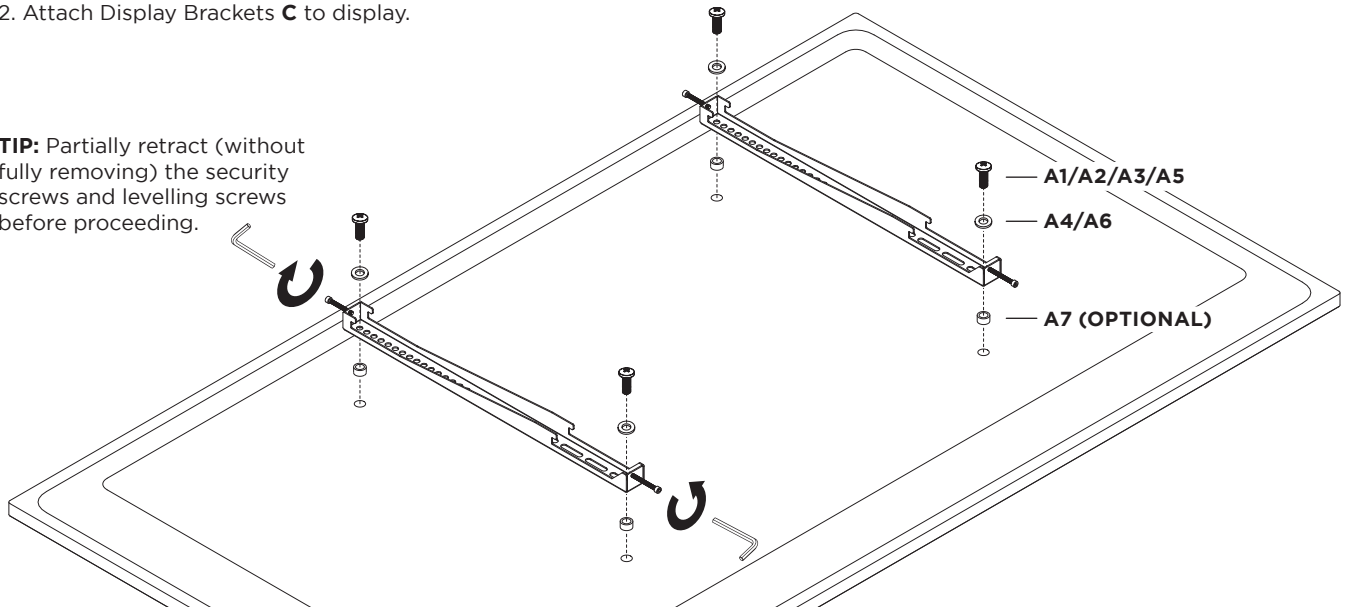
INSTALLATION INSTRUCTIONS

1. Install the Rail Spacers **D** between the rails.

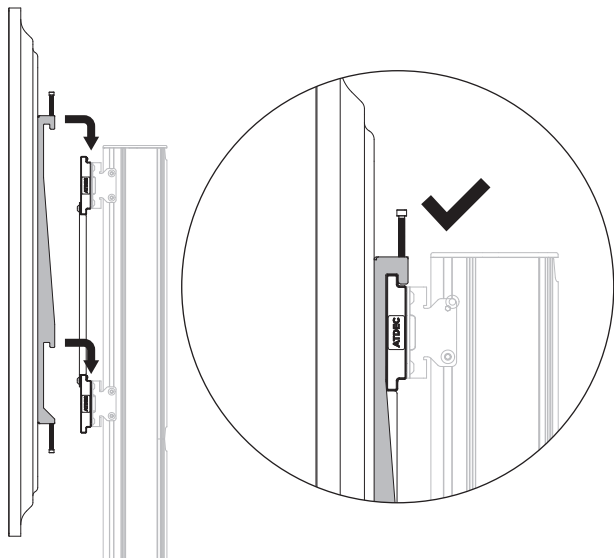


2. Attach Display Brackets C to display.

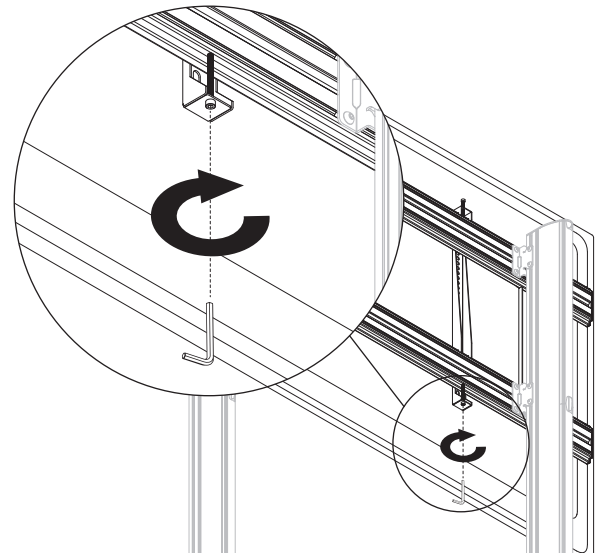
TIP: Partially retract (without fully removing) the security screws and levelling screws before proceeding.



3. Mount the display to the rail.



4. Tighten security screws.



5. Level the display.

