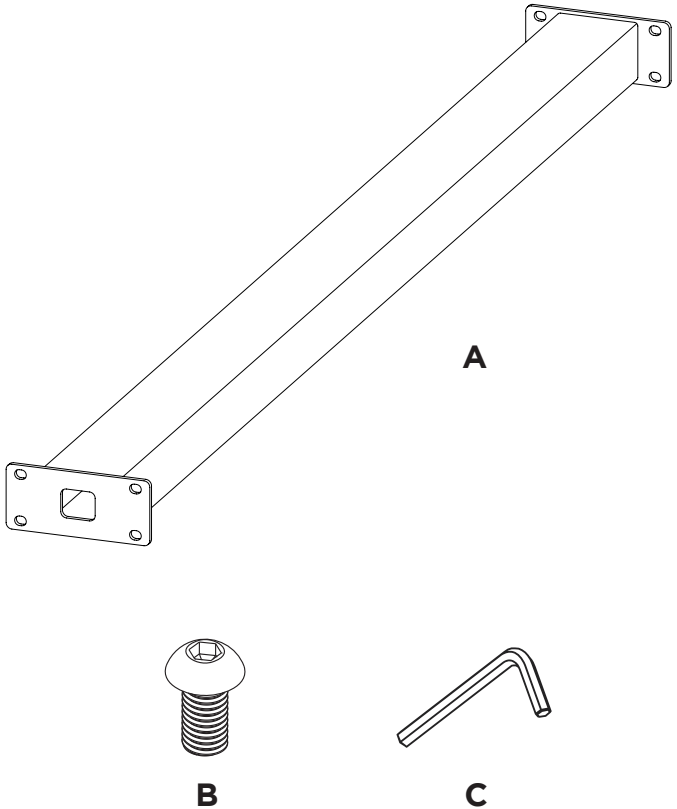
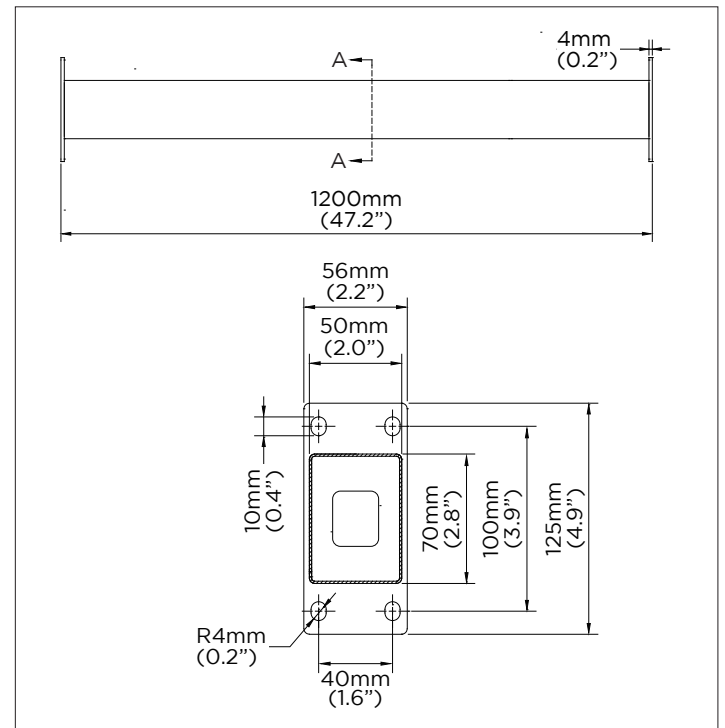


ADB 120 Support Bar

COMPONENT CHECKLIST

Item	Name	QTY
A	Support Bar	1
B	M8 x 12mm Screw	8
C	5mm Hex Key	1

PRODUCT DIMENSIONS



INSTALLATION INSTRUCTIONS

