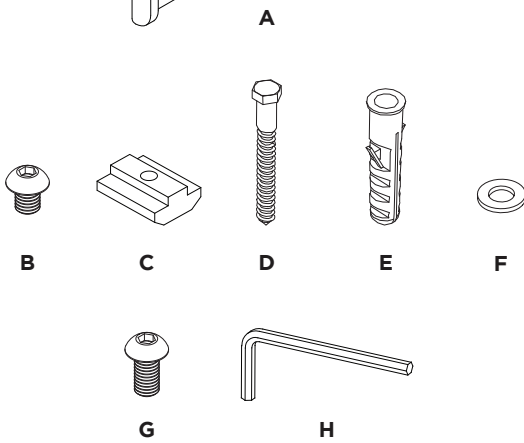
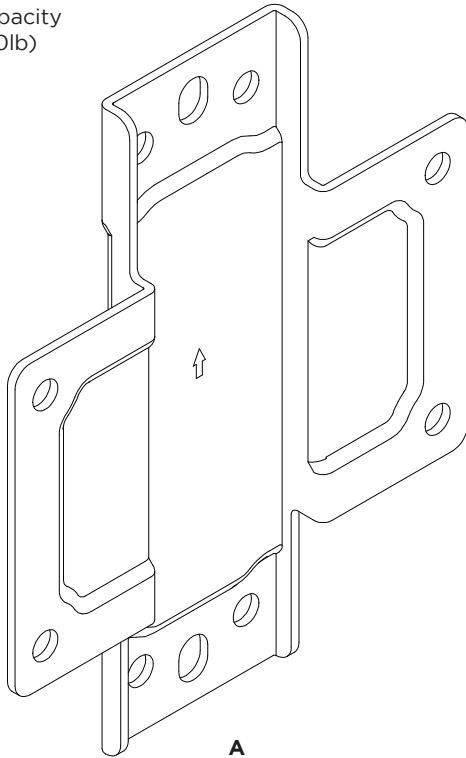


ADB Wall Plate

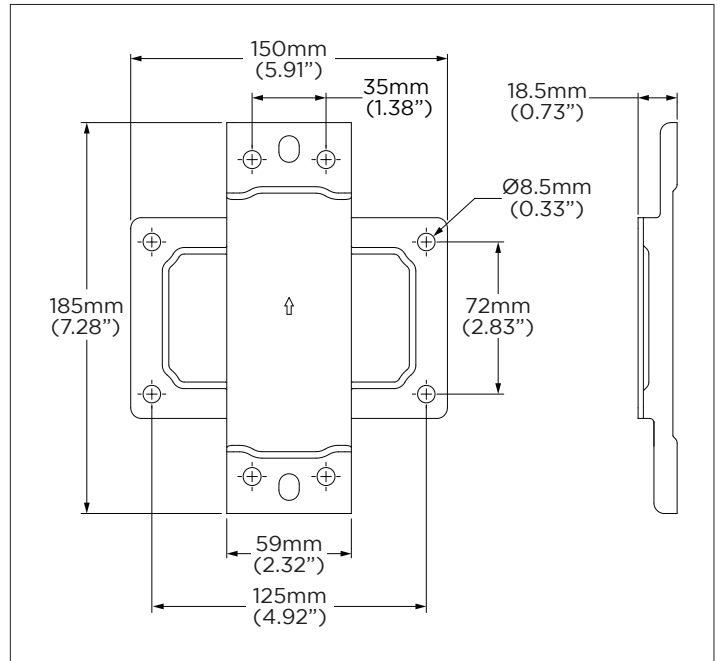
Load Capacity
50kg (110lb)



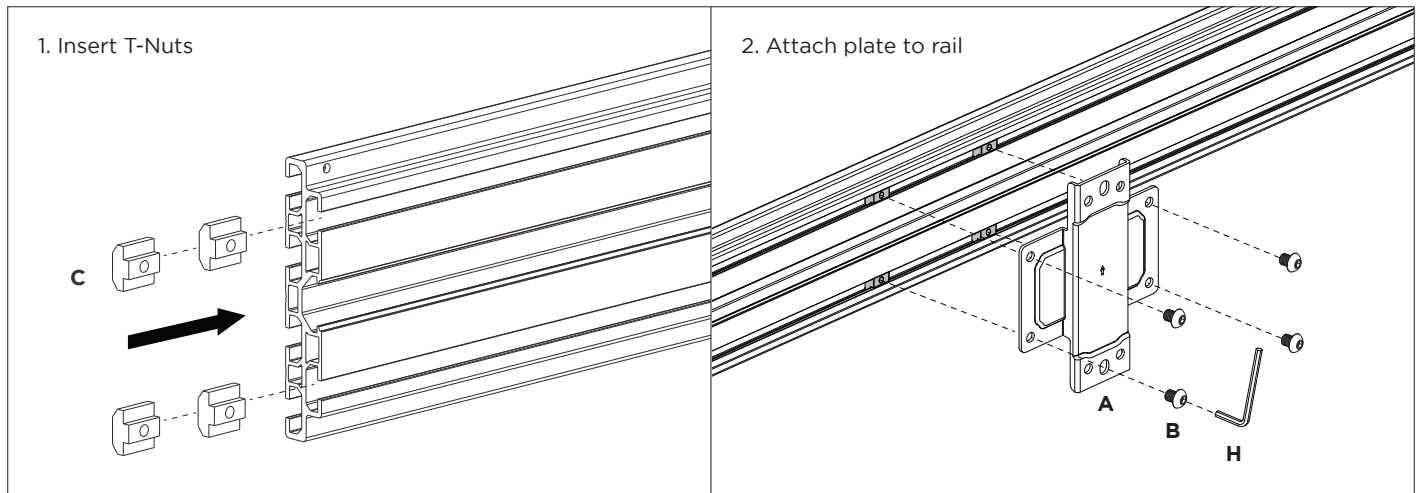
COMPONENT CHECKLIST

Item	Name	QTY
A	Wall Plate	1
B	M8 x 10mm Screw	4
C	M8 T-Nut	4
D	Coach Screw	2
E	M8 Washer	2
F	Nylon Anchor	2
G	M8 x 15mm Screw	4
H	5mm Hex Key	1

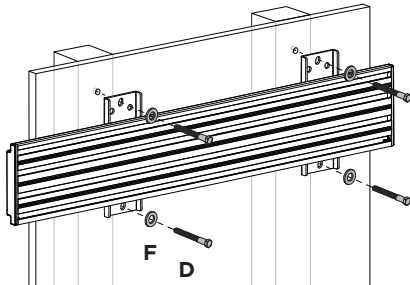
PRODUCT DIMENSIONS



INSTALLATION INSTRUCTIONS

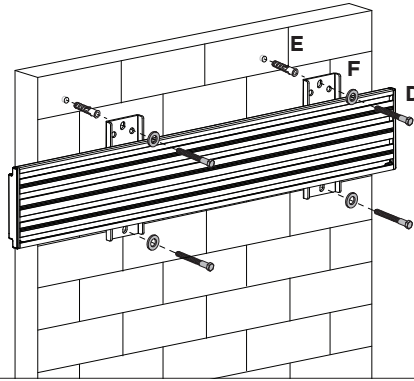


3.1. Fix to timber stud wall



OR

3.2. Fix to masonry/concrete



OR

3.3. Fix to ADB-RPJ Rail Pole Joiner (back-to-back)

