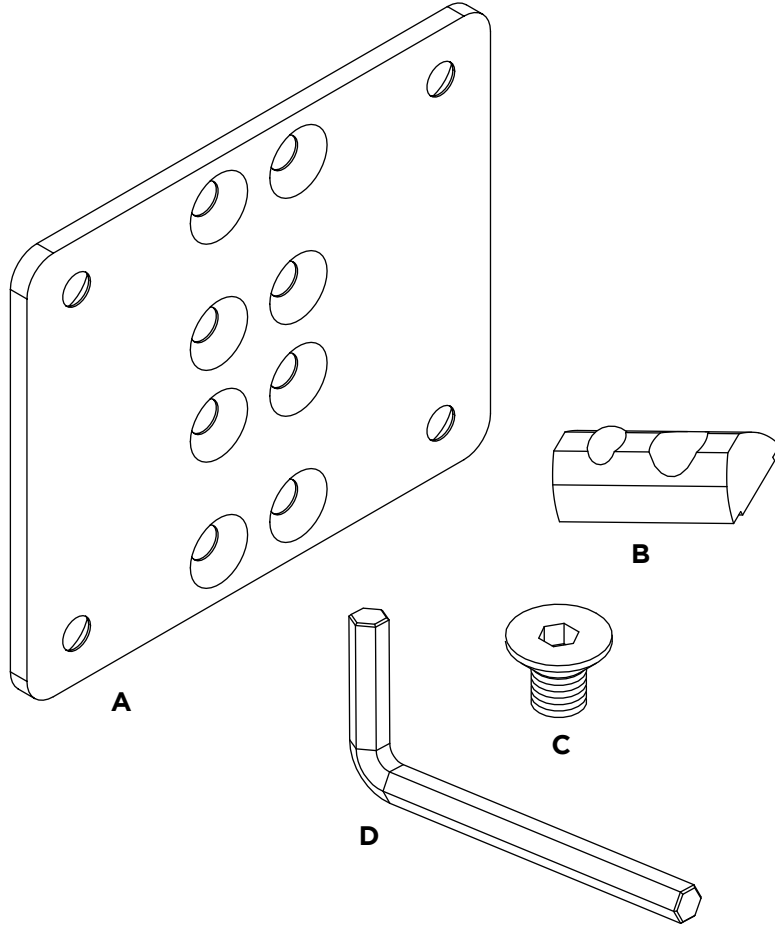
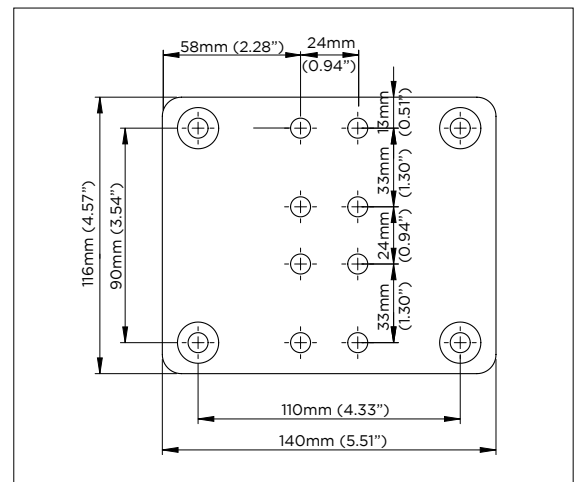


# Rail Collar Attachment Kit

## COMPONENT CHECKLIST

Item	Name	QTY
A	Collar Fixing Plate	1
B	M8 Sliding Nut	4
C	M8 x 12mm Countersunk Screw	8
D	5mm Hex Key	1

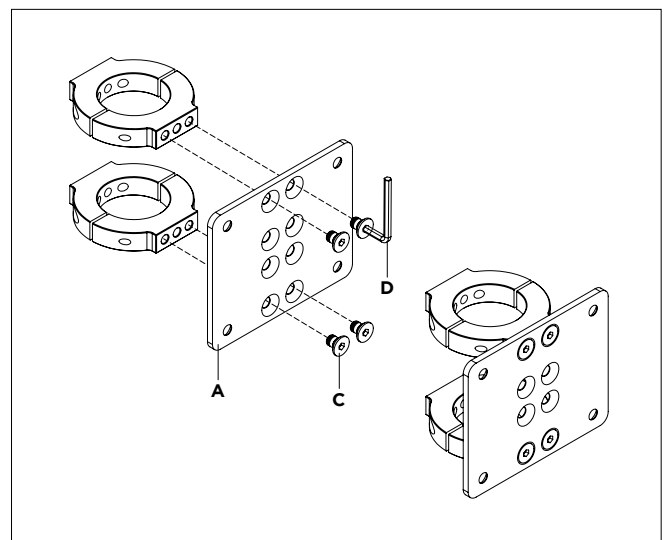
## PRODUCT DIMENSIONS



## INSTALLATION INSTRUCTION

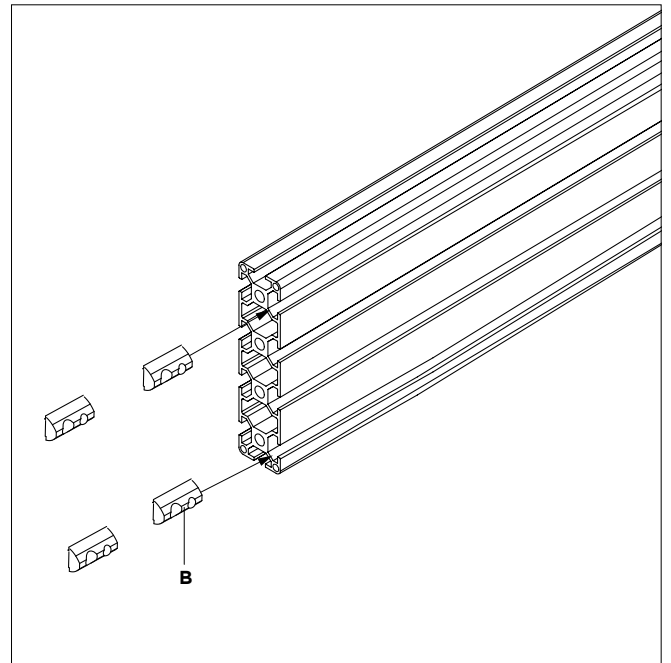
### Step 1.

Collar Assembly. Attach the Collar (sold separately) onto the Collar Fixing Plate (part A)



## Step 2.

Insert the M8 sliding nuts (part B) into the Mounting Rail (sold separately).  
2 in the top slot, 2 in the bottom slot  
for each collar fixing plate used.



## Step 3.

Attach the collar and fixing plate to the mounting rail by fastening the M8 x 12mm countersunk screws (C) to the M8 sliding nuts (part B).

