

Accessory Arm

Mounting Options

The product is designed to be installed on an existing AF range pole mount

Display Mounting Options

VESA 75 x 75mm
VESA 100 x 100mm

Consist of

Monitor Arm
Fasteners
Mounting Hardware

Max Weight

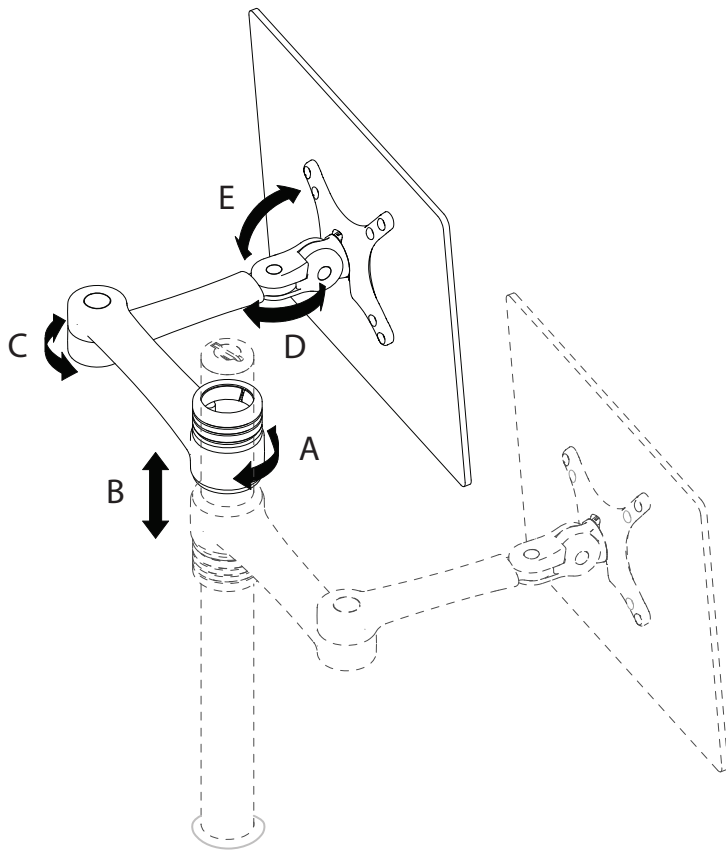
Flat monitor 0 - 8kg (0 - 17.6lbs)

Curved monitor 0 - 5.5kg (0 - 12lbs)

Warranty

10 years limited

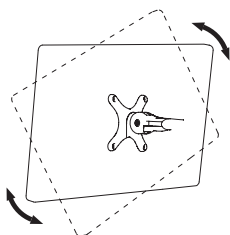
*Curved monitors, deep devices (such as all-in-one PCs) and offset VESA locations exert additional leverage that can exceed the capacity of the mount even though the monitor weight may be within the stated range. Please contact Atdec if you would like further information.



A	360° rotation around mounting pole/ 180° with rotation limiter
B	430mm (16.9") height adjustment range
C	360° articulation of arms
D	Pan 180°
E	Tilt ± 70°
F	± 95° Portrait/ Landscape Adjustment

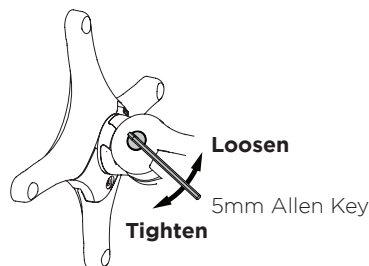
Pole and arm assembly shown for reference only.

Portrait/ Landscape



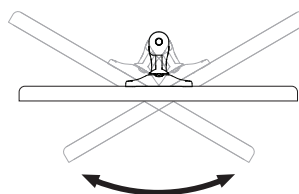
No Allen Key necessary

Tilt (Screen angle up/down)



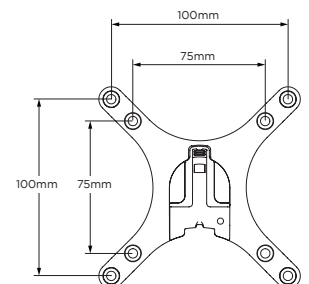
Note: Support Screen when adjusting tilt.

Pan (Screen angle left/right)

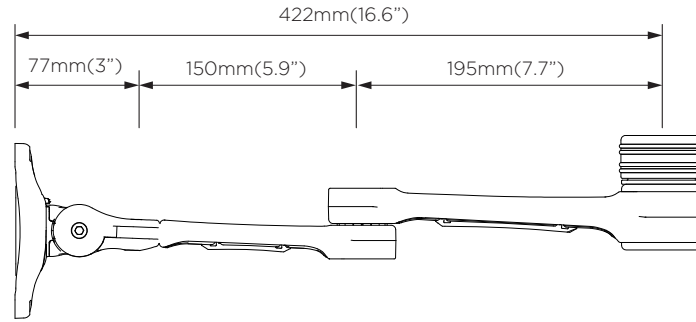


No Allen Key necessary

VESA 75 x 75 / 100 x 100mm



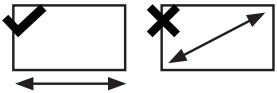
Dimensions



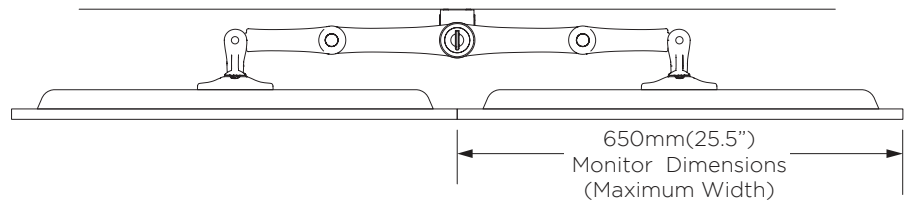
Dual configuration

Note:

1. All dimensions are dependant on the size and shape of the monitor used.
2. Monitor Dimensions (Maximum Width) relates to the actual width of a monitor not the diagonal viewing size.



Monitor Flat



Monitor Angled

