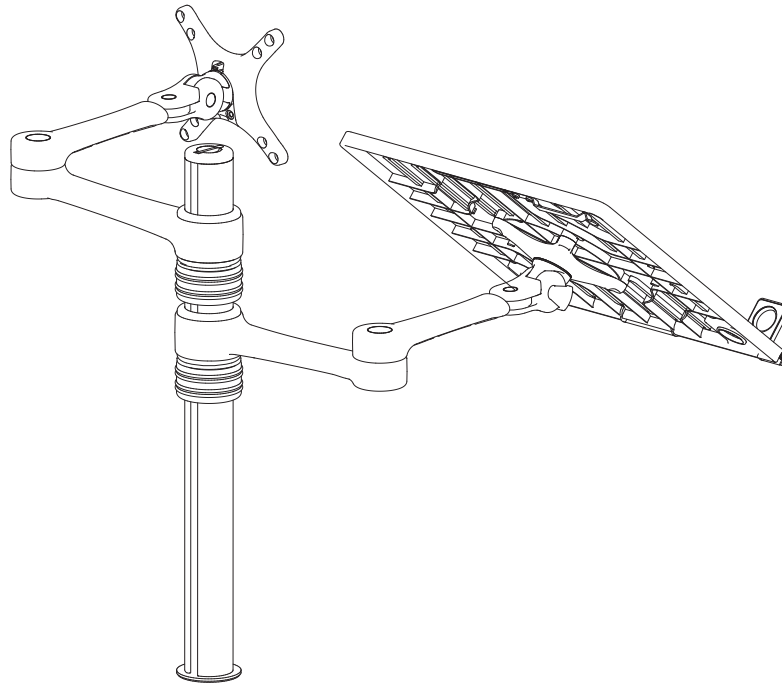
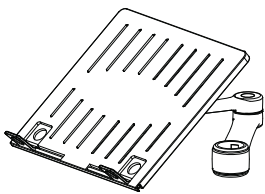


Notebook Monitor Arm Combo Mount



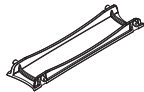
COMPONENT CHECKLIST



A
Notebook tray
assembly
(x1)



D
Rotation
limiter
(x2)



E
Primary arm
cable cover
(x2)



F
Secondary arm
cable cover
(x2)



G
Desk clamp
assembly
(x1)



H
Steel
washer
(x1)



I
Cable
stop
(x2)



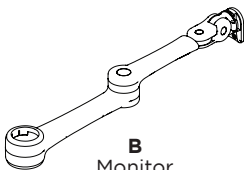
J
Cable
clip
(x2)



K
Pole
top cap
(x1)



L
Bolt through
base
(x1)



B
Monitor
arm
(x1)



M
5mm
Allen key
(x1)



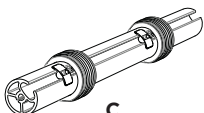
N
Self adhesive
hook & loop
(x4 sets)



O
Screw
M8 x 60mm
(x1)



P
Screw
M8 x 30mm
(x1)



C
Pole
assembly
(x1)



Q
Security
Screw
M4 x 16mm
(x1)



R
Mounting
screws
M4 x 10mm
(x4)



S
Mounting
screws
M4 x 12mm
(x4)



T
Mounting
screws
M4 x 16mm
(x4)



U
VESA
head
(x1)

Desk 

REQUIRED TOOLS

- Phillips Head Screwdriver

WEIGHT RANGE

Flat Monitors

0 - 8kg
(0 - 17.6lbs)

Curved Monitors

0 - 5.5kg
(0 - 12lbs)

IMPORTANT INFORMATION

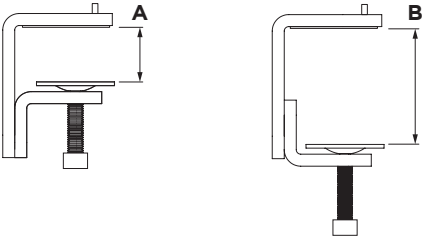
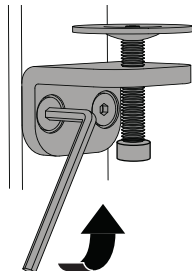
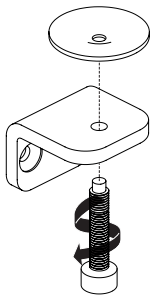
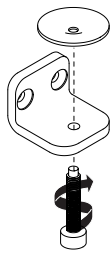
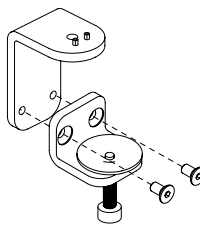
! Please ensure this product is installed as per these installation instructions.

! This product is compatible with the range of AF Poles and arms.

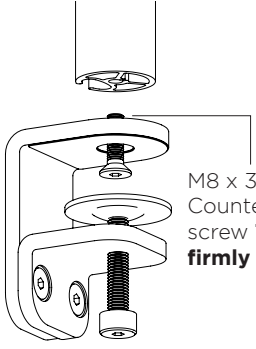
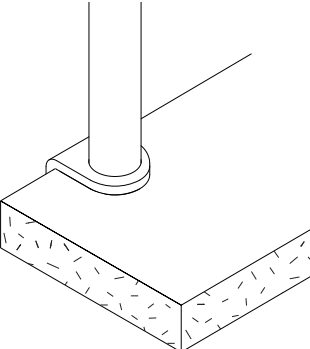
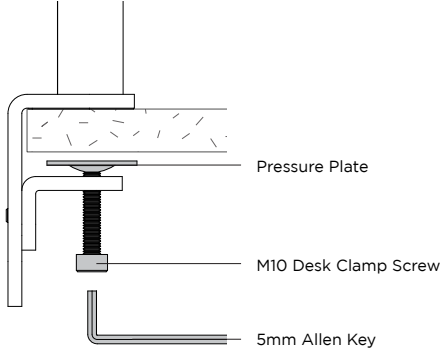
! The manufacturer accepts no responsibility for incorrect installation.

! Curved monitors, deep devices (such as all-in-one PCs) and offset VESA locations exert additional leverage that can exceed the capacity of the mount even though the monitor weight may be within the stated range. Please contact Atdec if you would like further information.

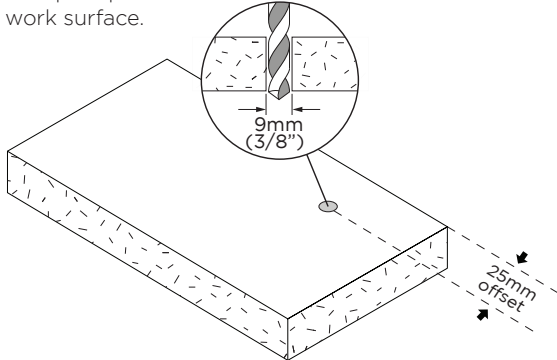
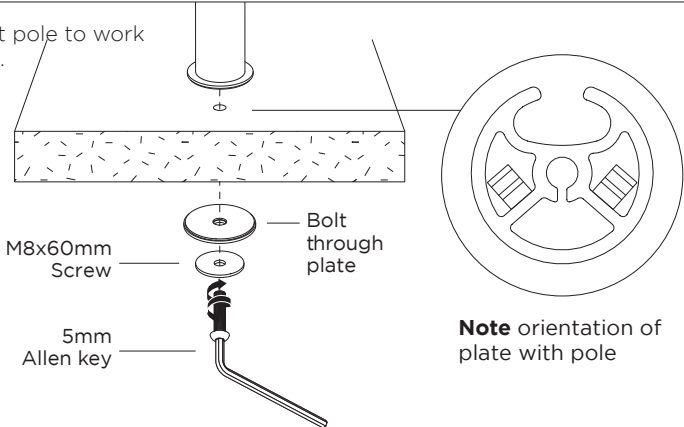
1. Configure desk clamp

<p>1.1 The desk clamp bracket can be repositioned to suit different mounting surface thicknesses.</p>  <p>Default (A) MIN 0mm (0") MAX 39mm (1.5")</p> <p>Inverted (B) MIN 35mm (1.4") MAX 76mm (3")</p>	<p>1.2 Remove two screws to release lower clamp bracket.</p> 	<p>1.3 Remove clamp plate and screw.</p> 	<p>1.4 Invert lower bracket and replace clamp plate and screw.</p> 	<p>1.5 Reattach bracket</p> 
--	---	--	---	--

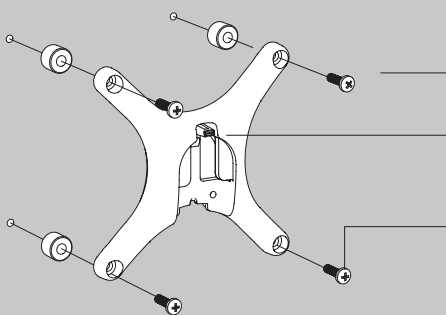
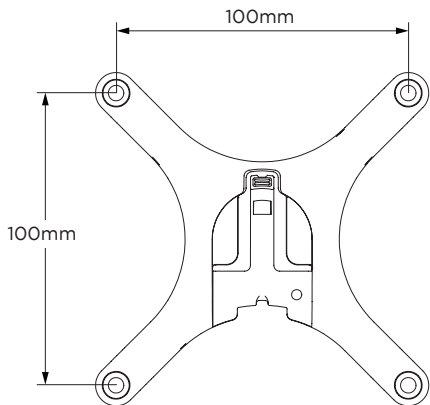
2. Option A Desk Clamp Installation

<p>2.1 Attach clamp to post</p>  <p>M8 x 30mm Countersunk screw Tighten firmly</p>	<p>2.2 Place in desired location</p> 	<p>2.3 Screw pressure plates in and tighten firmly.</p>  <p>Pressure Plate</p> <p>M10 Desk Clamp Screw</p> <p>5mm Allen Key</p>
--	--	---

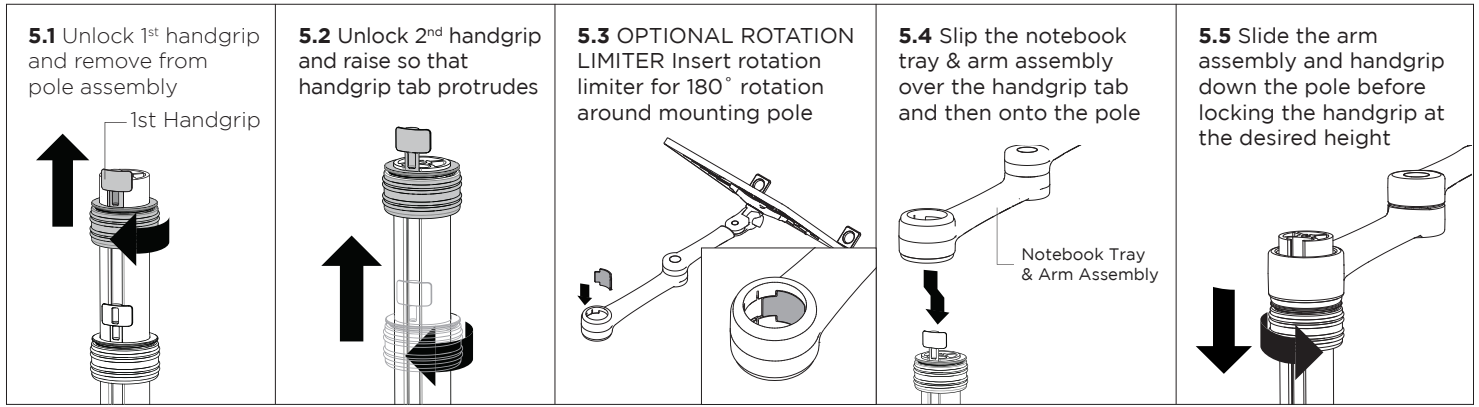
3. Option B Bolt Through Installation

<p>3.1 Drill 9mm hole in desired post position on work surface.</p>  <p>9mm (3/8")</p> <p>25mm offset</p>	<p>3.2 Bolt pole to work surface.</p>  <p>M8x60mm Screw</p> <p>Bolt through plate</p> <p>5mm Allen key</p> <p>Note orientation of plate with pole</p>
---	---

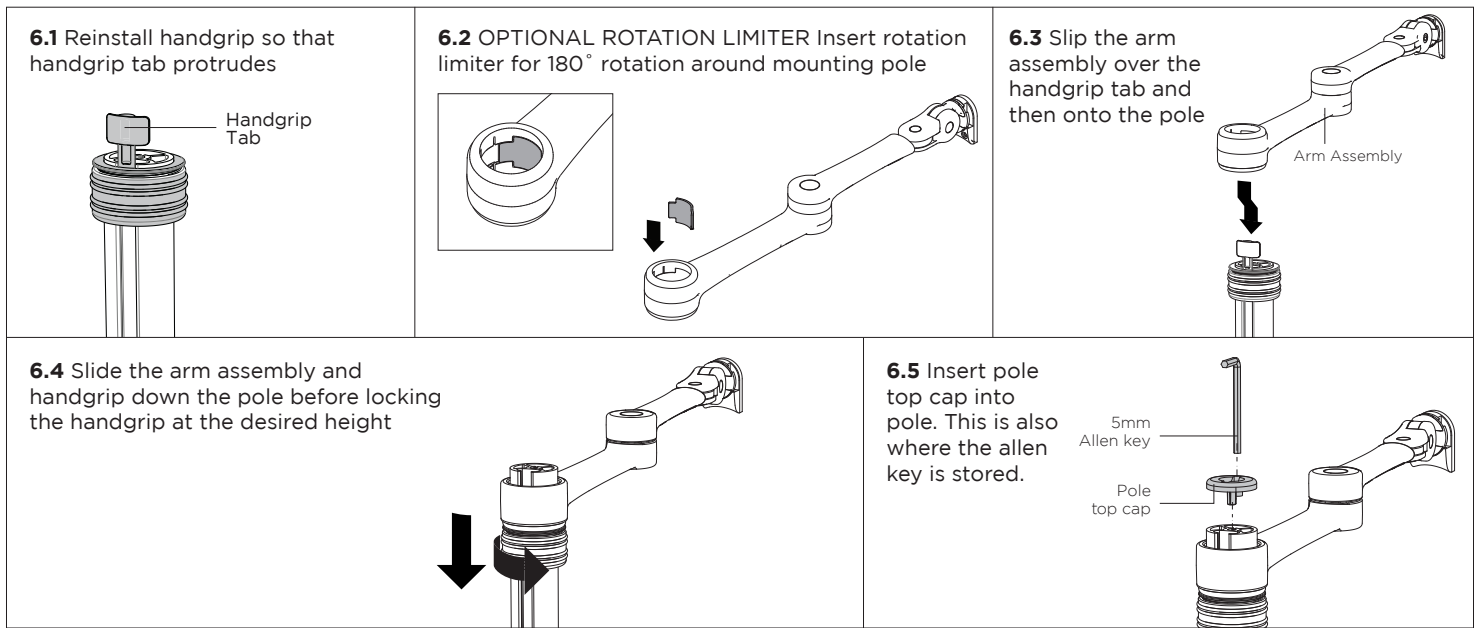
4. Install VESA monitor head

<p>4.1 Install VESA monitor head as shown.</p>  <p>Screen</p> <p>VESA monitor head</p> <p>M4x10/12/16mm Phillips Head Mounting Screws</p>	 <p>100mm</p> <p>100mm</p>
---	---

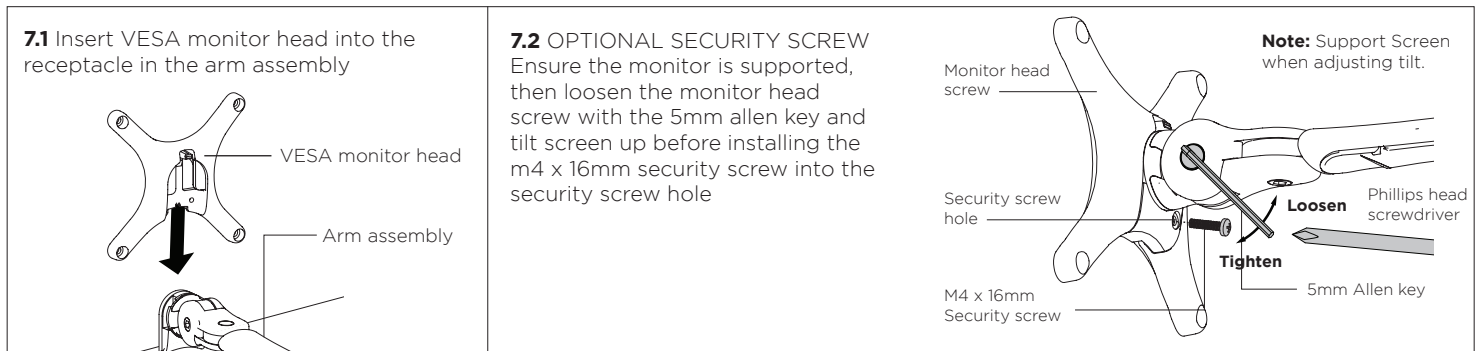
5. Mount Notebook Tray Arm



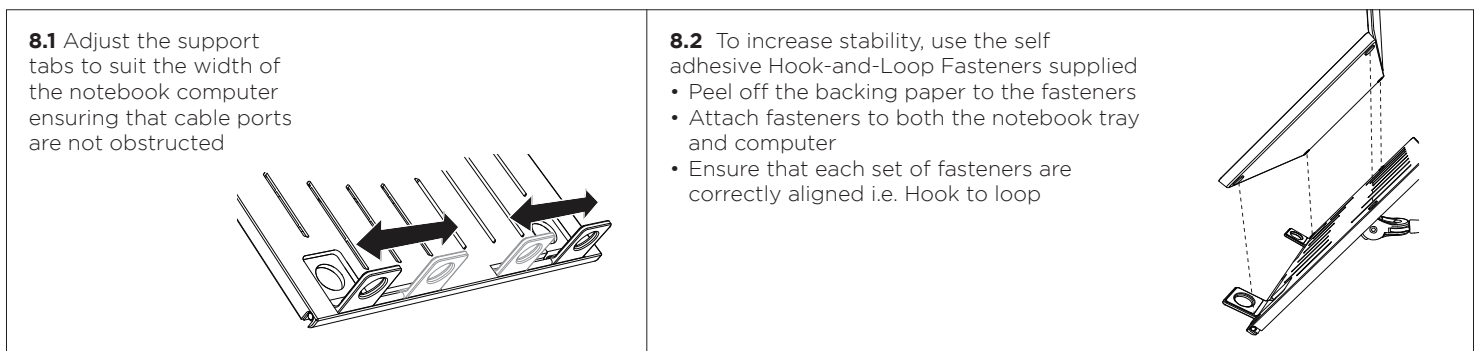
6. Install arm assembly



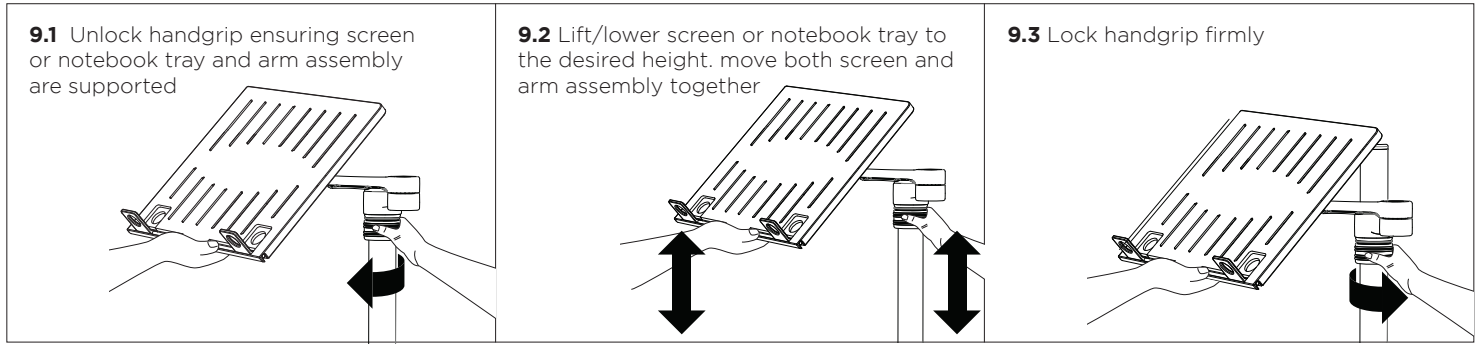
7. Mounting Monitor



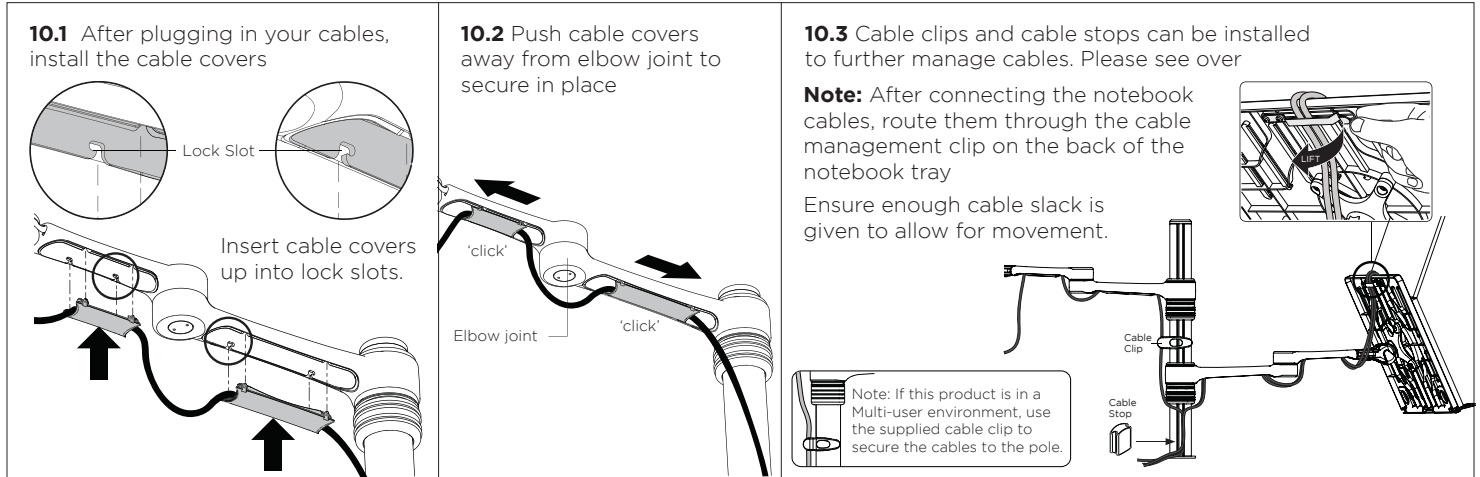
8. Install Notebook



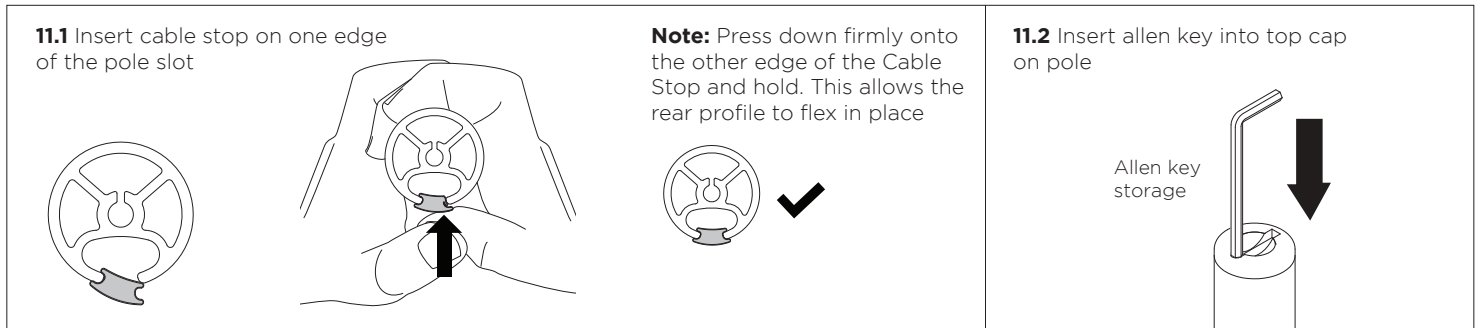
9. Adjust Height



10. Cable Management



11. Insert Cable Stops



12. Adjusting the display bracket

