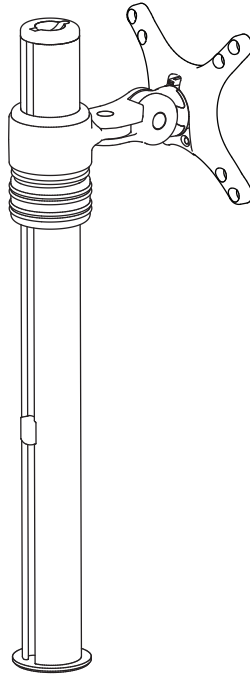
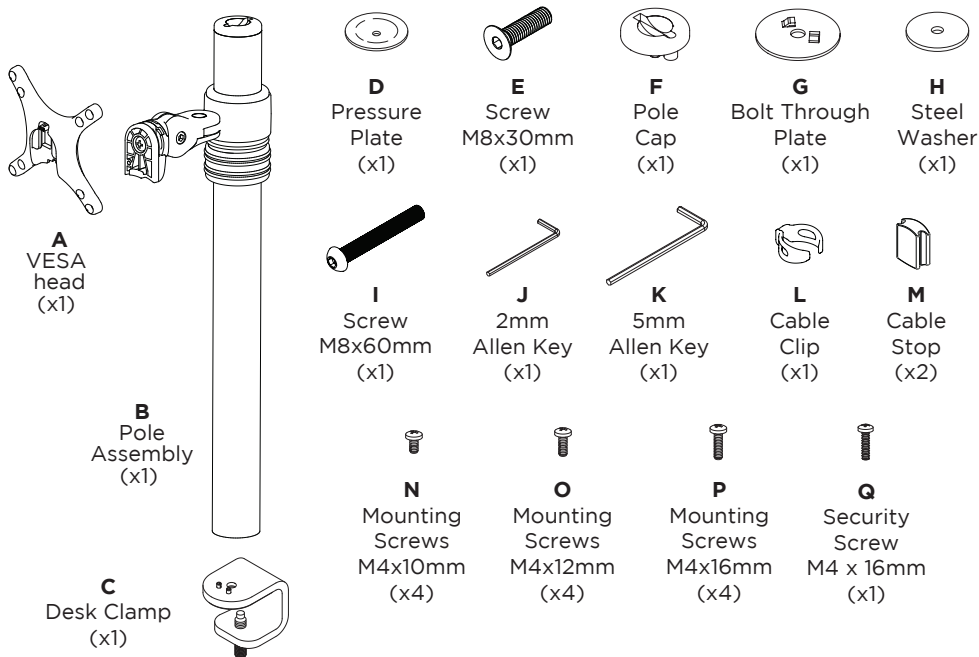


## Micro Desktop Monitor Mount - C Clamp



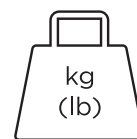
### COMPONENT CHECKLIST



### REQUIRED TOOLS

- Power Drill
- Drill Bit
- Phillips Head Screwdriver

### WEIGHT RANGE



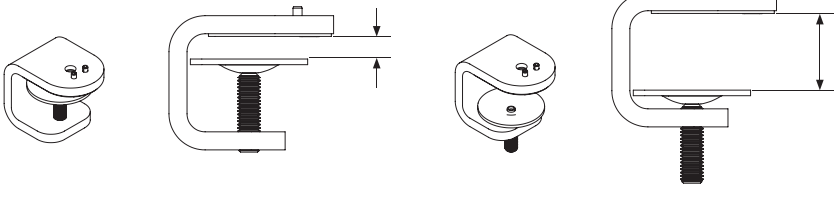
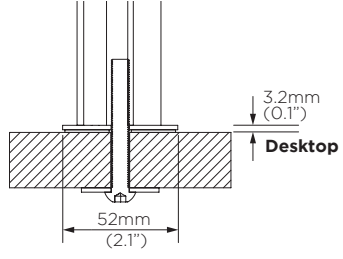
kg  
(lb)

0 - 8kg  
(0 - 17.6lbs)

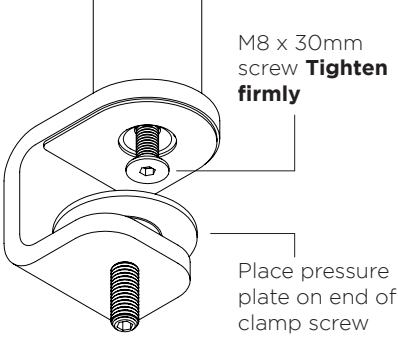
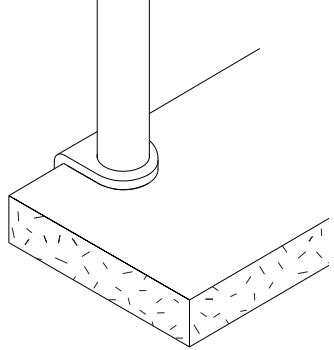
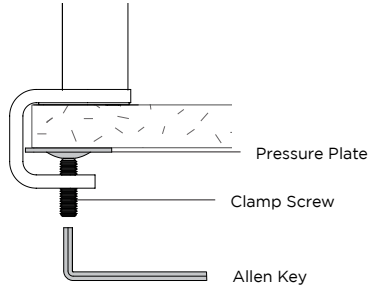
### IMPORTANT INFORMATION

- ! Please ensure this product is installed as per these installation instructions.
- ! The manufacturer accepts no responsibility for incorrect installation.

# 1. Desk overview

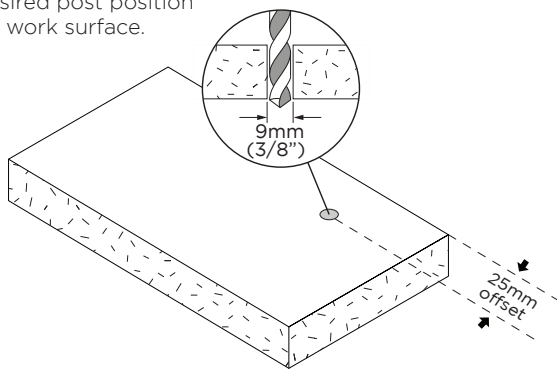
<p><b>Desk Clamp</b></p>  <p><b>MIN THICKNESS</b> - 10mm (3/8")</p> <p><b>MAX THICKNESS</b> - 34mm (1,1/4")</p>	<p><b>Bolt Through</b></p>  <p><b>THICKNESS RANGE</b> 12mm-40mm (0.5"-1.5")</p>
--	--

# 2. Post mount configuration

<p><b>2.1 Attach clamp to post</b></p>  <p>M8 x 30mm screw <b>Tighten firmly</b></p> <p>Place pressure plate on end of clamp screw</p>	<p><b>2.2 Place in desired location</b></p> 	<p><b>2.3 Screw pressure plates in and <b>tighten firmly</b>.</b></p>  <p>Pressure Plate</p> <p>Clamp Screw</p> <p>Allen Key</p>
--	--	---

# 4. Bolt through - Drill Hole

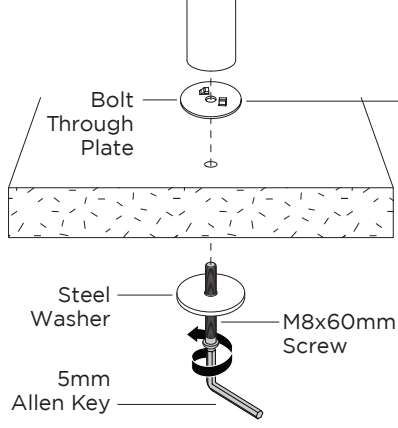
**4.1 Drill 9mm hole in desired post position on work surface.**



9mm (3/8")

25mm offset

# 5. Bolt Pole to work surface



Bolt Through Plate

Steel Washer

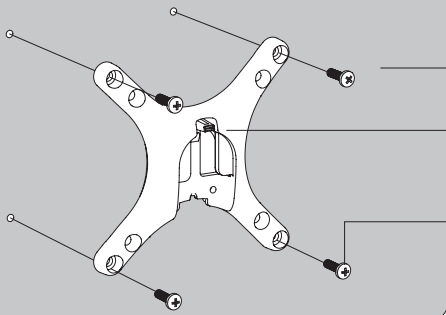
M8x60mm Screw

5mm Allen Key

**Note** orientation of plate with pole

# 6. Install VESA monitor head

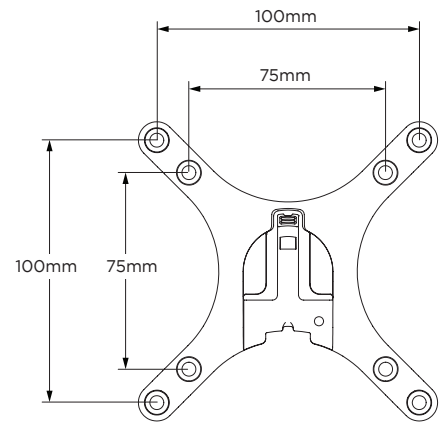
**6.1 Install VESA monitor head as shown.**



Screen

VESA monitor head

M4x10/12/16mm Phillips Head Mounting Screws



100mm

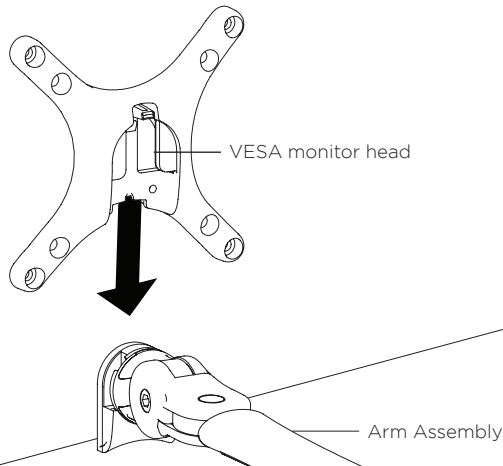
75mm

100mm

75mm

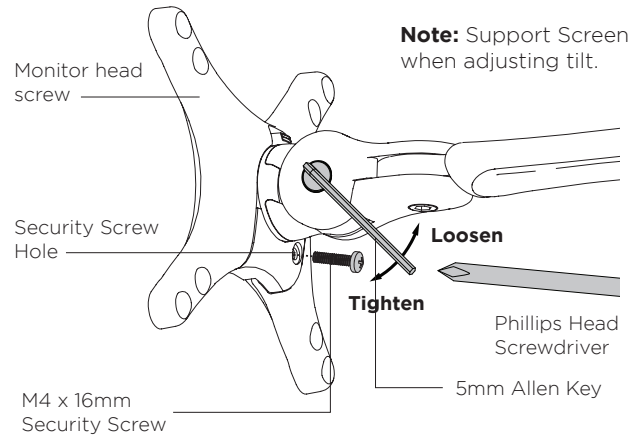
## 7. Mounting Monitor

**7.1** Insert VESA monitor head into the receptacle in the Arm Assembly



**7.2** OPTIONAL SECURITY SCREW

Ensure the Monitor is supported, then loosen the Monitor head screw with the 5mm Allen Key and tilt screen up before installing the M4 x 16mm Security Screw into the Security Screw hole



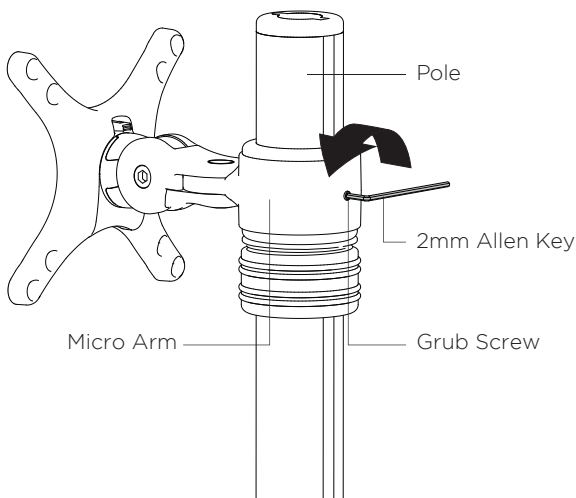
## 8. Unlock/Lock Arm Rotation (Note: Focus Micro comes assembled in the "Locked" Position.)

### Unlock

If you wish your Focus Micro Arm to have 360° rotation about the Pole you will need to unlock the arm's rotation

**Step 1:** Unlock the arm by turning the Grub Screw anti-clockwise removing the Grub Screw completely

**Note:** Store the Grub Screw in a safe place if you are to return the arm to the Locked position

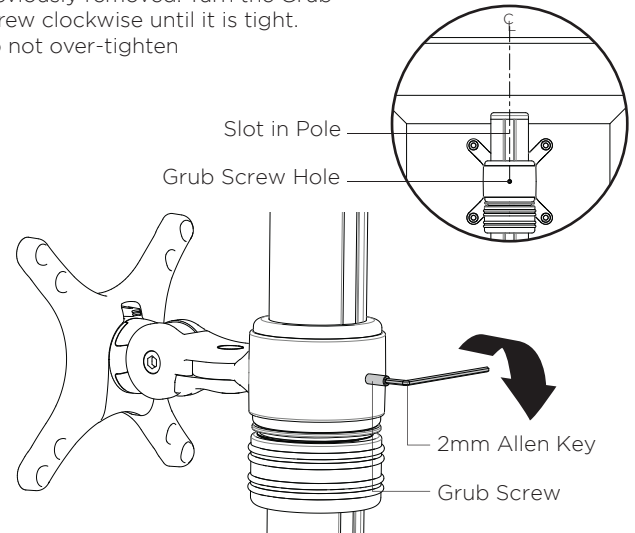


### Lock

If you have unlocked your Focus Micro Arm, but wish to fix rotation around the Pole, you will need to lock the arm

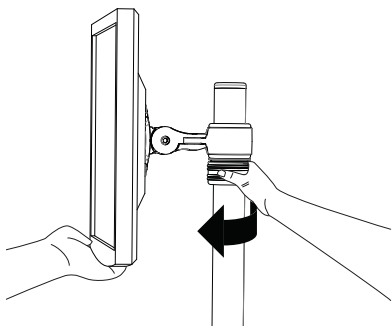
**Step 1:** Ensure the hole for the Grub Screw in the Micro Arm is lined up with the centre of the Slot in the Pole

**Step 2:** Re-insert the Grub Screw previously removed. Turn the Grub Screw clockwise until it is tight. Do not over-tighten

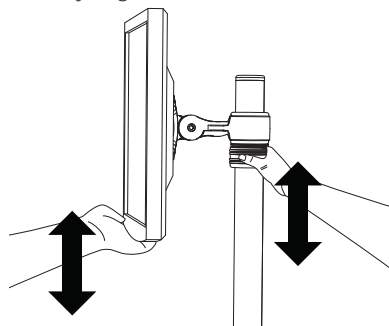


## 9. Adjusting Height

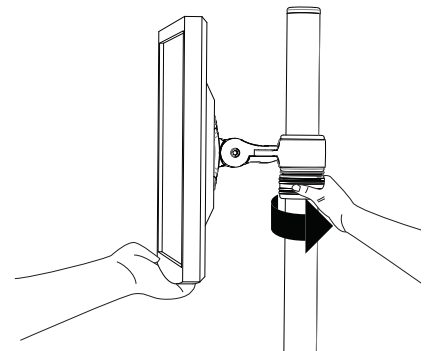
**9.1** Unlock ensuring both screen and arm assembly are supported



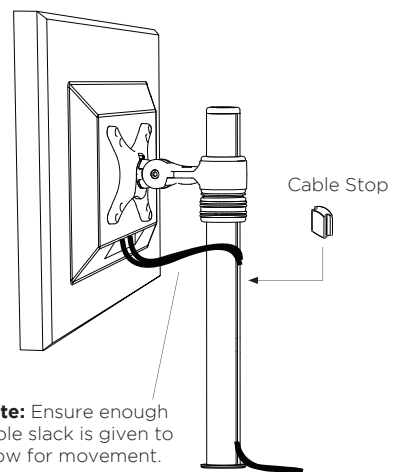
**9.2** Lift/Lower Screen to the desired height. Move both Screen and Arm assembly together.



**9.3** Lock Handgrip firmly.

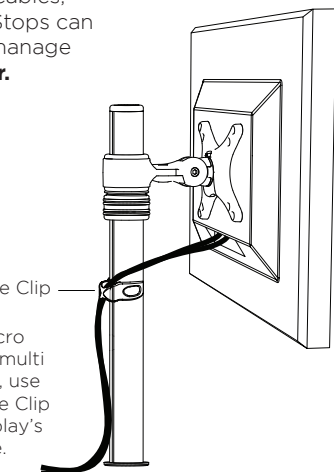


## 10. Cable Management



**Note:** Ensure enough cable slack is given to allow for movement.

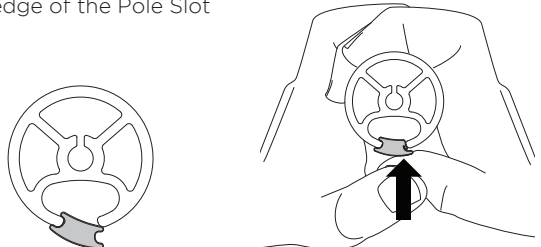
**10.2** After connecting cables, Cable Clips and Cable Stops can be installed to further manage cables. **Please See Over.**



**Note:** If Focus Micro is to be used in a multi user environment, use the supplied Cable Clip to secure the display's cables to the Pole.

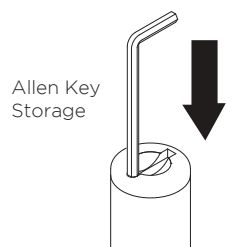
## 11. Insert Cable Stops

**11.1** Insert Cable Stop on one edge of the Pole Slot



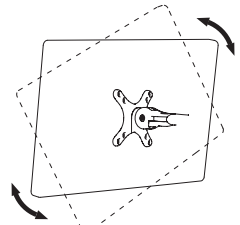
**Note:** Press down firmly onto the other edge of the Cable Stop and hold. This allows the rear profile to flex in place

**11.2** Insert allen key into top cap on pole



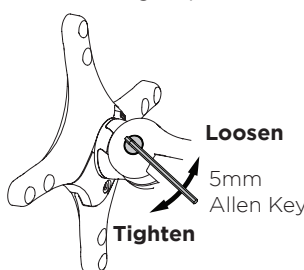
## 12. Adjusting the Display Bracket

**Portrait/ Landscape**



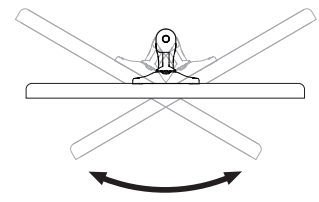
**No Allen Key necessary**

**Tilt (Screen angle up/down)**



**Note:** Support Screen when adjusting tilt.

**Pan (Screen angle left/right)**



**No Allen Key necessary**

**VESA 75 x 75 / 100 x 100mm**

