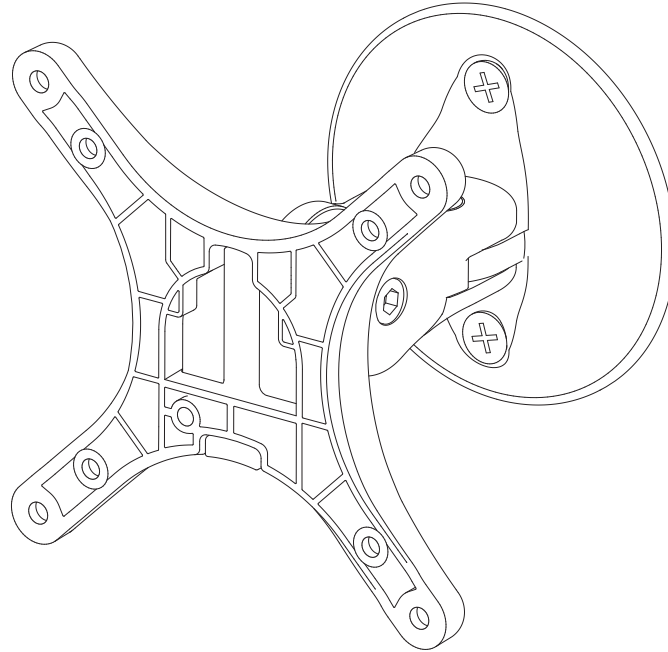
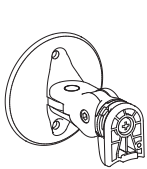


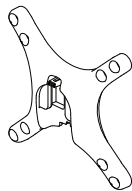
Wall Direct Monitor Mount



COMPONENT CHECKLIST



A
Wall direct
assembly
(x1)



B
VESA
head
(x1)



C
5mm
Allen key
(x1)



D
Countersunk
Screw
M6 x 50mm
(x2)



E
Wall plug
(x2)



F
Security Screw
M4 x 16mm
(x1)



G
Mounting
screws
M4 x 10mm
(x4)



H
Mounting
screws
M4 x 12mm
(x4)



I
Mounting
screws
M4 x 16mm
(x4)



REQUIRED TOOLS

- Phillips Head Screwdriver

WEIGHT RANGE

Flat Monitors

0 - 8kg
(0 - 17.6lbs)

Curved Monitors

0 - 5.5kg
(0 - 12lbs)

IMPORTANT INFORMATION

! Please ensure this product is installed as per these installation instructions.

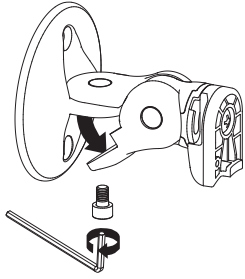
! This product is compatible with the range of AF Poles and arms.

! The manufacturer accepts no responsibility for incorrect installation.

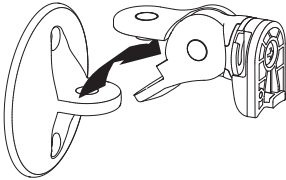
! Curved monitors, deep devices (such as all-in-one PCs) and offset VESA locations exert additional leverage that can exceed the capacity of the mount even though the monitor weight may be within the stated range. Please contact Atdec if you would like further information.

1. Disassemble

1.1 Using the supplied allen key, remove the bottom screw

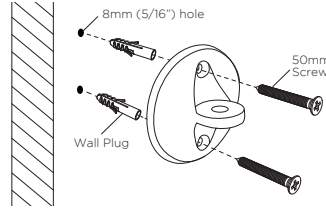


1.2 Separate the two components



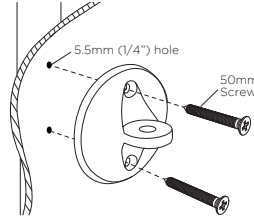
2. Attach base to wall

Masonry Wall



Tip: Use a spirit level to ensure this surface is horizontal

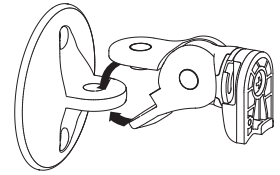
Timber stud wall



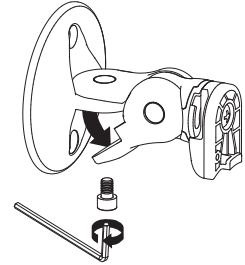
Tip: Use a spirit level to ensure this surface is horizontal

3. Re-assemble

3.1 Reassemble the wall direct assembly

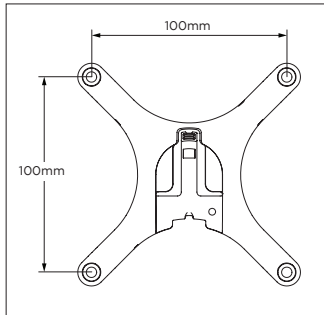
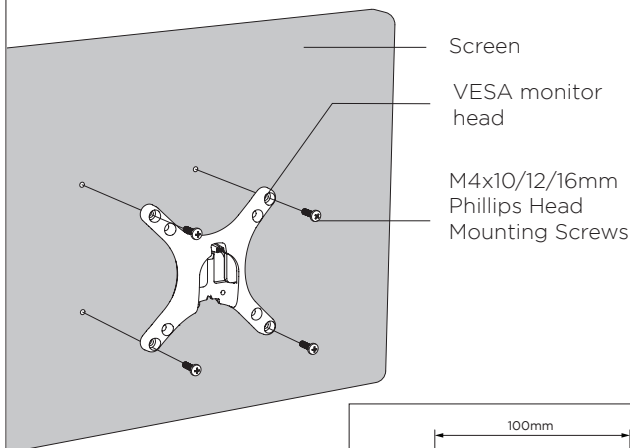


3.2 Close the two halves of the bracket around the base by firstly positioning the top half and then the bottom half



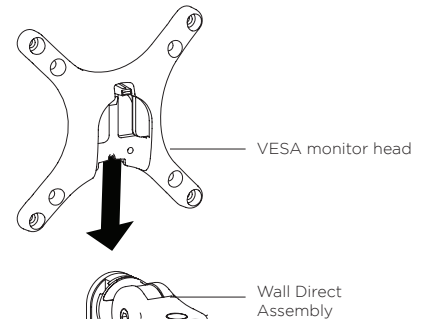
4. Install VESA monitor head

4.1 Install VESA monitor head as shown.

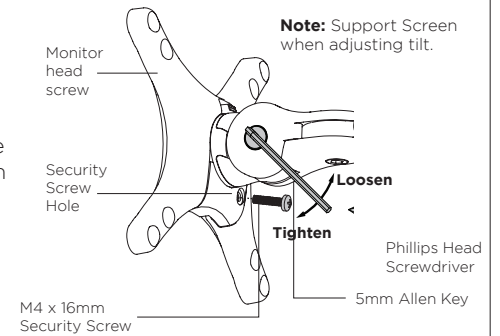


5. Mounting Monitor

5.1 Insert VESA monitor head into the receptacle in the Arm Assembly



5.2 OPTIONAL SECURITY SCREW
Ensure the Monitor is supported, then loosen the Monitor head screw with the 5mm Allen Key and tilt screen up before installing the M4 x 16mm Security Screw into the Security Screw hole



6. Adjusting the Display Bracket

<p>Portrait/ Landscape</p> <p>No Allen Key necessary</p>	<p>Tilt (Screen angle up/down)</p> <p>Note: Support Screen when adjusting tilt.</p>	<p>Pan (Screen angle left/right)</p> <p>No Allen Key necessary</p>	<p>VESA 75 x 75 / 100 x 100mm</p>
--	---	--	--