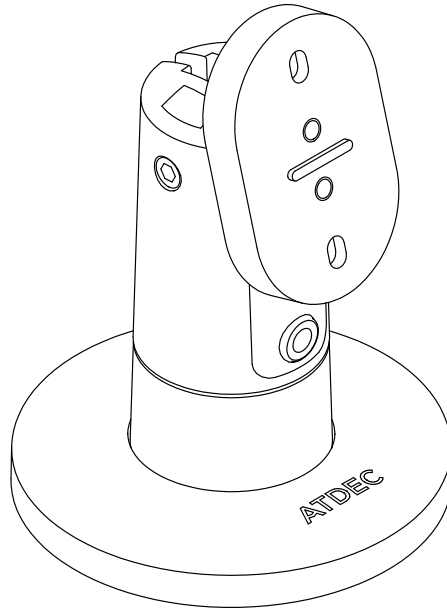
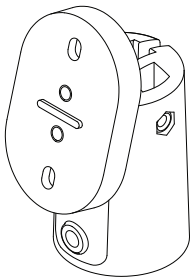


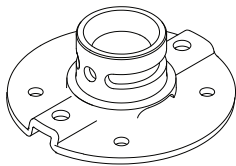
## POS Base



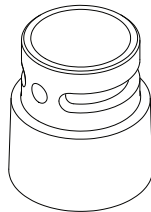
### COMPONENT CHECKLIST



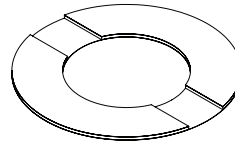
**A**  
Tilt Head



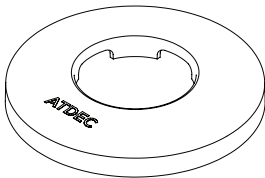
**B**  
Base Plate



**C**  
Spacer



**E**  
Mounting Pad



**D**  
Plate Cover



**F**  
M6x6mm  
Screw  
(x1)



**G**  
Self-Tapping  
Screw  
(x 4)



**H**  
4mm  
Hex Key

Desk 

### REQUIRED TOOLS

- Phillips head screwdriver

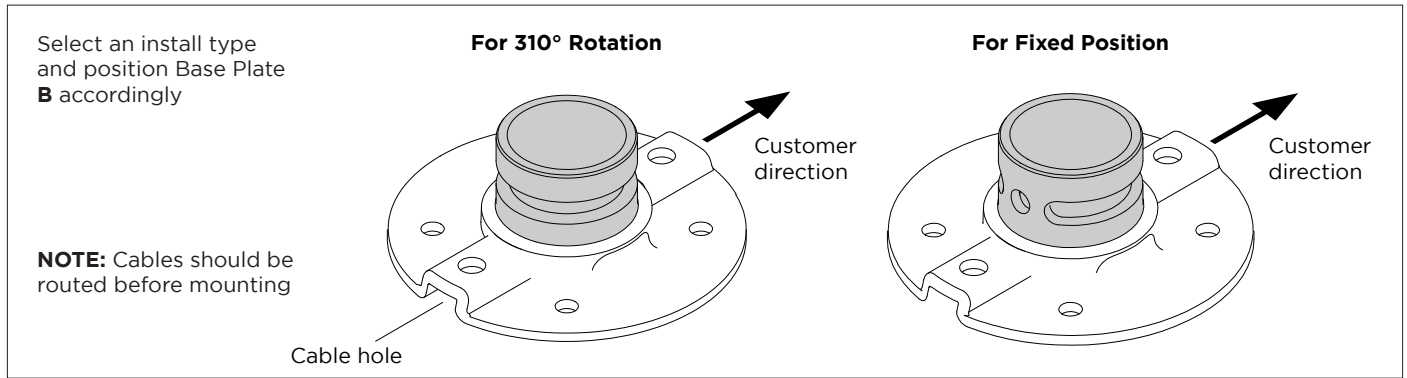
### WEIGHT RANGE

0 - 10kg  
(0 - 22lb)

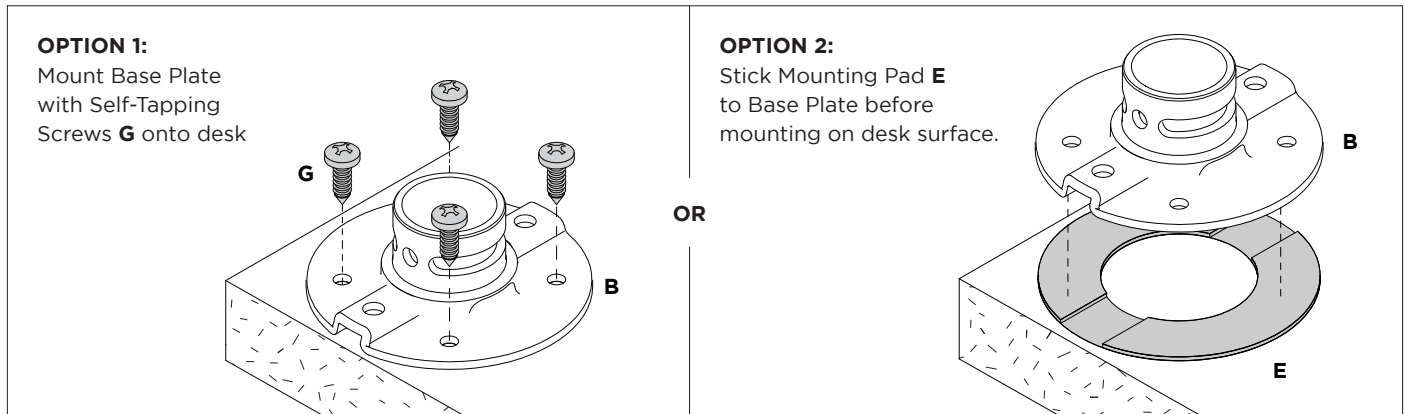
### IMPORTANT INFORMATION

- ! Please ensure this product is installed as per these installation instructions.
- ! The manufacturer accepts no responsibility for incorrect installation.
- ! This product is not suitable for outdoor use.
- ! Do not use this product for mobile applications.
- ! This product requires additional accessories, sold separately.

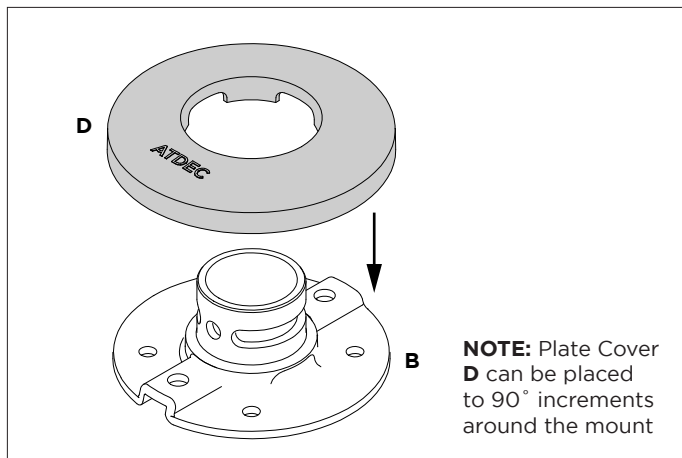
## 1. Select installation type



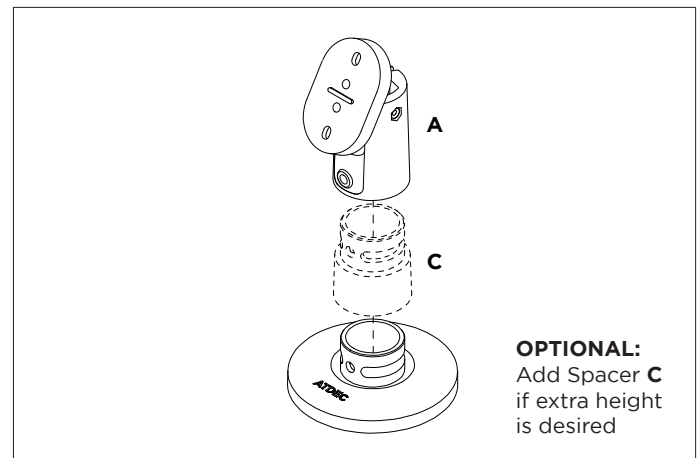
## 2. Mount Base Plate



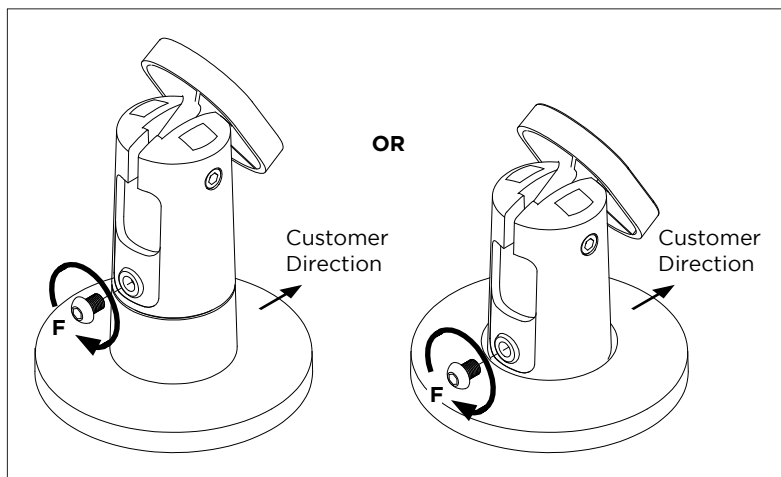
## 3. Attach Plate Cover



## 4. Mount Tilt Head



## 5. Install Locking Screw



## 6. Attach Accessory

