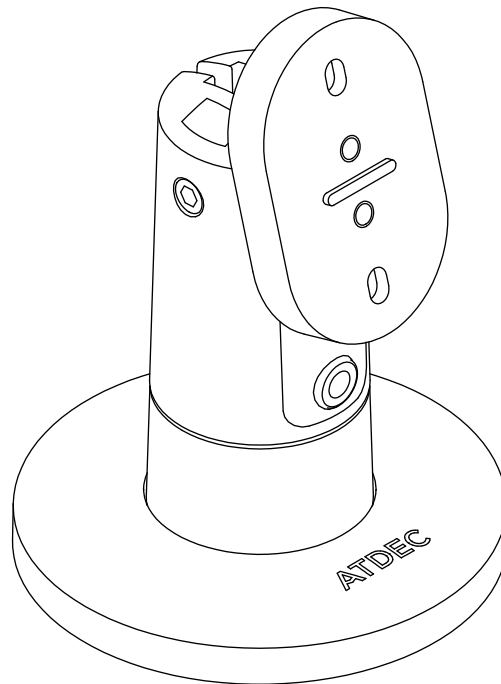


## POS Base



### FEATURES

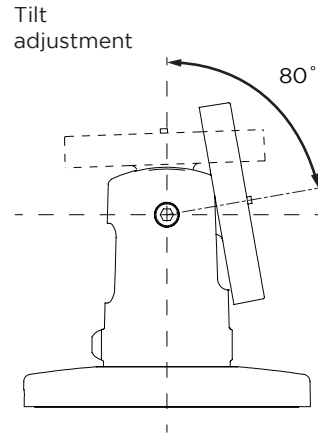
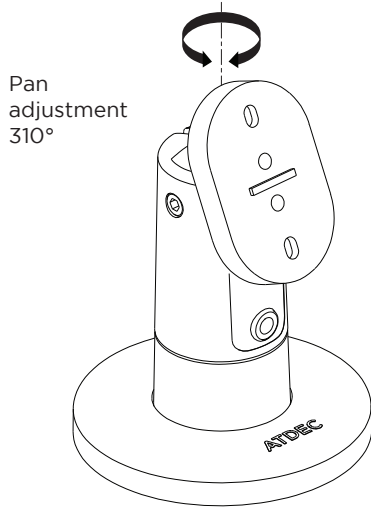
- Universal PIN pad stand compatible with a wide range of terminal plates for various POS devices (sold separately)
- Optional spacer included to provide additional height
- Surface mounting options include: self-tapping screws, self-adhesive pad
- Also compatible with Ø38 POS posts and arms
- Provides for optimum viewing with (tool-free) upwards and downwards tilt angle adjustment
- Concealed cable management through column

<b>Weight range</b>	0 - 10kg (0 - 22lb)*
<b>Height adjustment range</b>	29mm (1.1")
<b>Tilt adjustment</b>	80°
<b>Pan adjustment</b>	310°
<b>Primary material</b>	Nylon

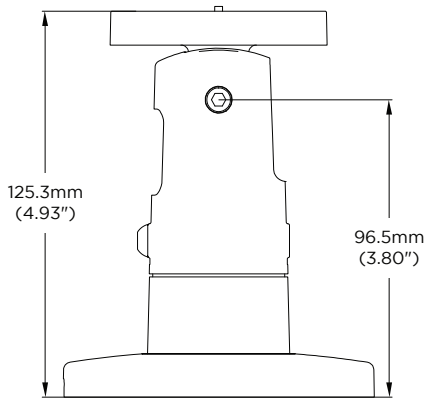
### WARRANTY

10 years limited

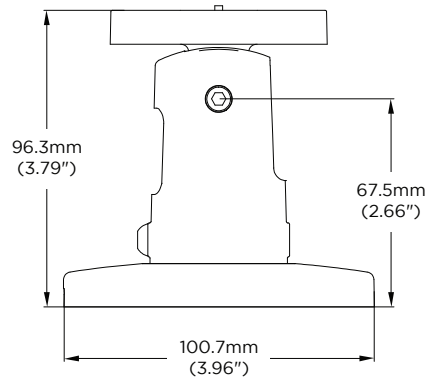
## MOVEMENT



## DIMENSIONS



Product Height - with Spacer



Product Height - without Spacer

## MOUNTING DIMENSIONS

