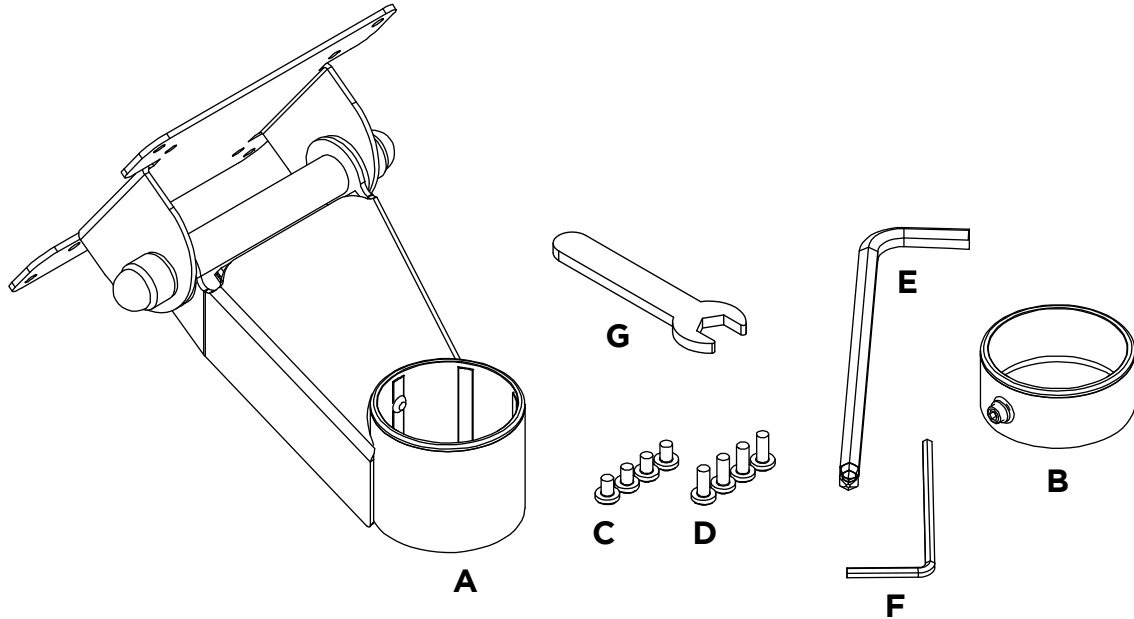


POS Display Angled Head



COMPONENT CHECKLIST

Item	Name	QTY
A	Angled Head	1
B	Fixing Ring	1
C	M4 x 6mm Mounting Screw	4
D	M4 x 10mm Mounting Screw	4
E	6mm Allen Key for Tilt Tightening	1
F	3mm Allen Key for Fixing Ring	1
G	M8 Spanner for Tilt Tightening	1