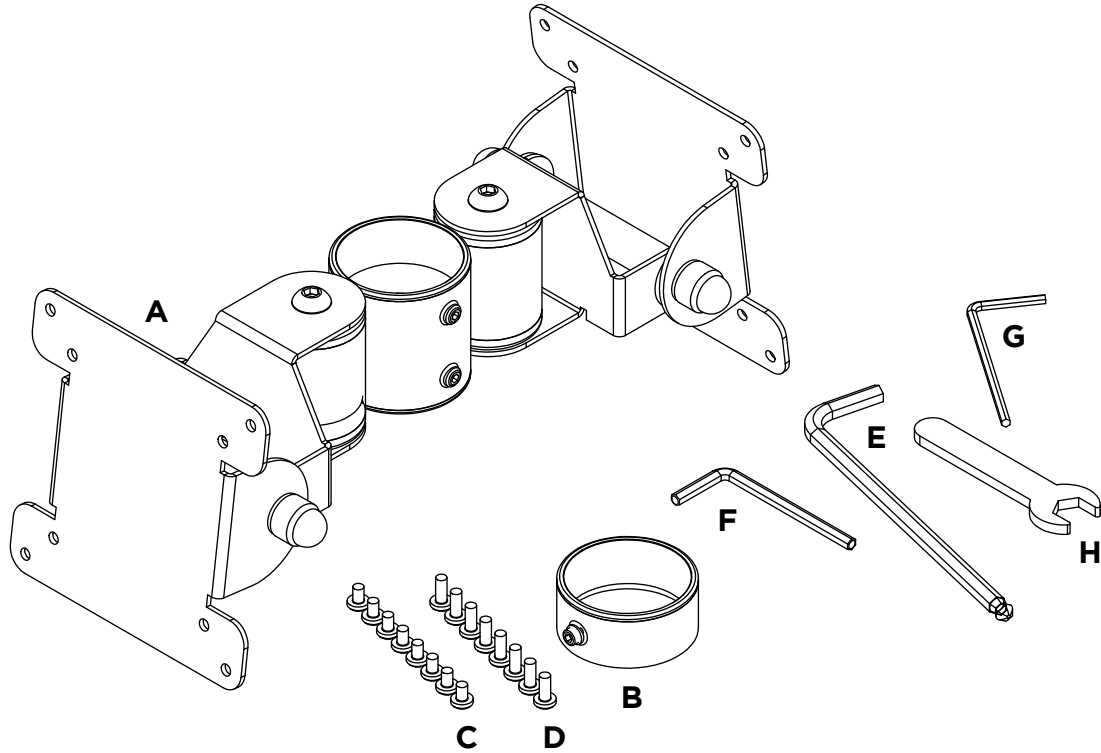


### POS Display B2B Head



#### COMPONENT CHECKLIST

Item	Name	QTY
A	Back-to-back Head	1
B	Fixing Ring	1
C	M4 x 6mm Mounting Screen	4
D	M4 x 10mm Mounting Screen	4
E	6mm Allen Key for Tilt Tightening	1
F	5mm Allen Key for Joint Screw	1
G	3mm Allen Key for Fixing Ring	1
H	M8 Spanner for Tilt Tightening	1