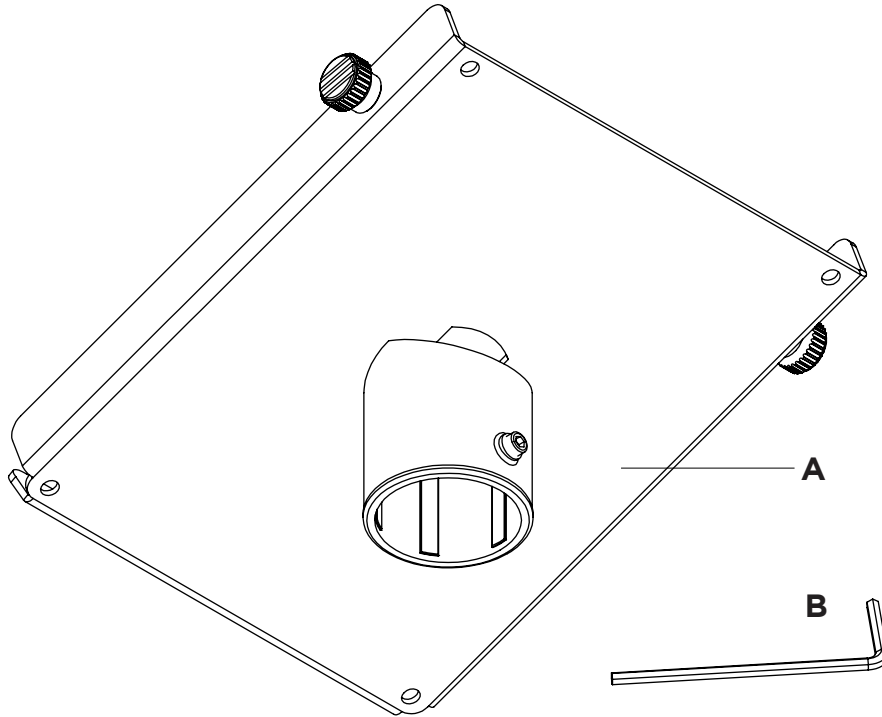


### POS Printer Tray



#### COMPONENT CHECKLIST

Item	Name	QTY
A	Printer Tray 178mm x 150mm	1
B	3mm Allen Key	1