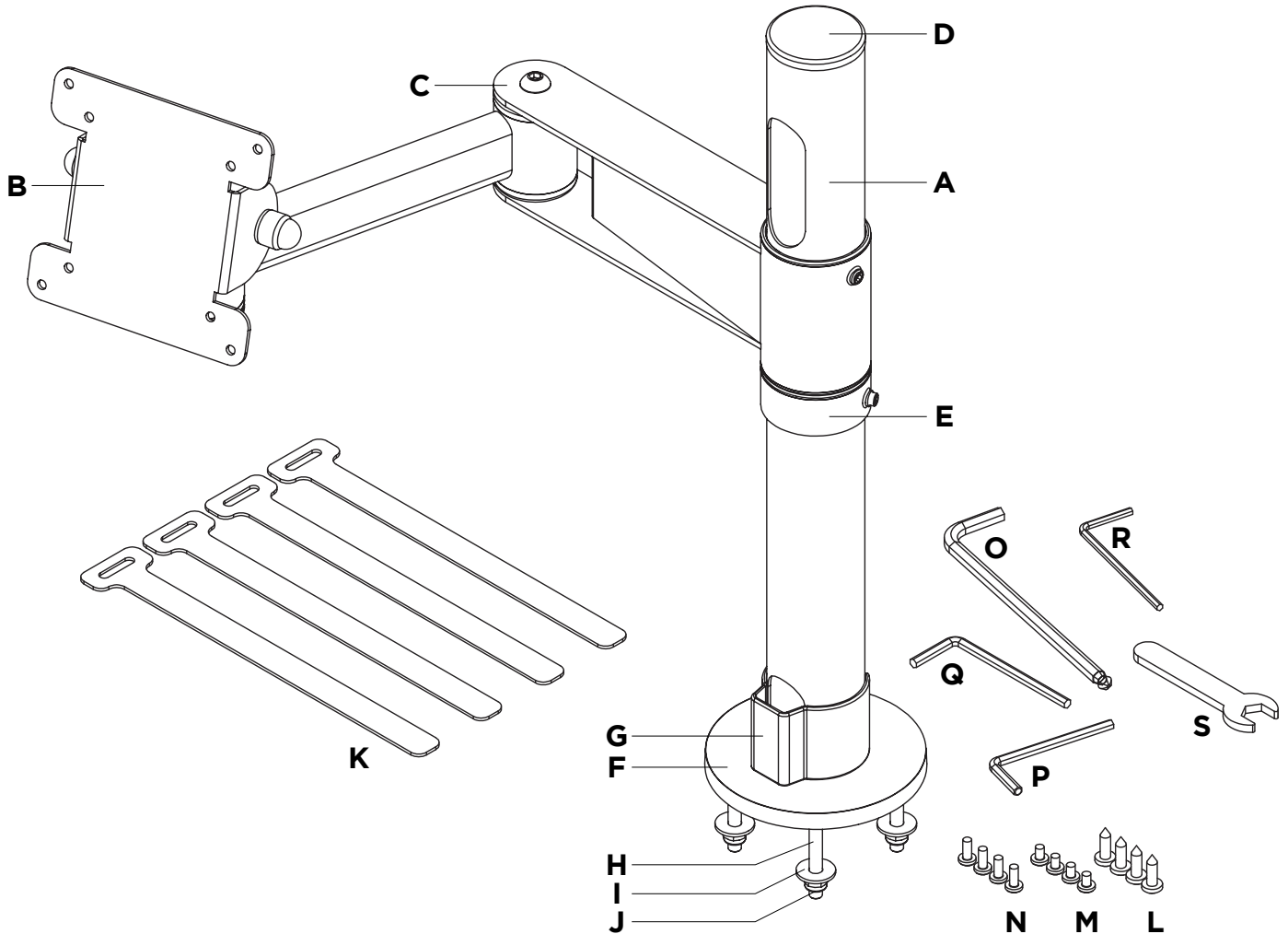


POS Articulating 400 Mount



COMPONENT CHECKLIST

Item	Name	QTY
A	Post 400mm x 45mm	1
B	Pin-Fixing Head	1
C	Articulating Arm	1
D	Post Cap 45mm	1
E	Fixing Ring	1
F	Base Cover Plate 45mm	1
G	Cable Clip 40mm	1
H	M6 x 50mm Screws for mounting base	4
I	M6 x 50mm Washer for Mounting Base	4
J	M6 x 50mm Nut for Mounting Base	4

Item	Name	QTY
K	Hook and Loop Strips	4
L	Self-tapping Screws for Mounting Base	4
M	M4 x 6mm Mounting Screws	4
N	M4 x 10mm Mounting Screws	4
O	6mm Allen Key for Tilt Tightening	1
P	5mm Allen Key for Arm Joints	1
Q	4mm Allen Key for M6 x 50mm Screw	1
R	3mm Allen Key for Fixing Ring	1
S	M8 Spanner for Tilt Tightening	1