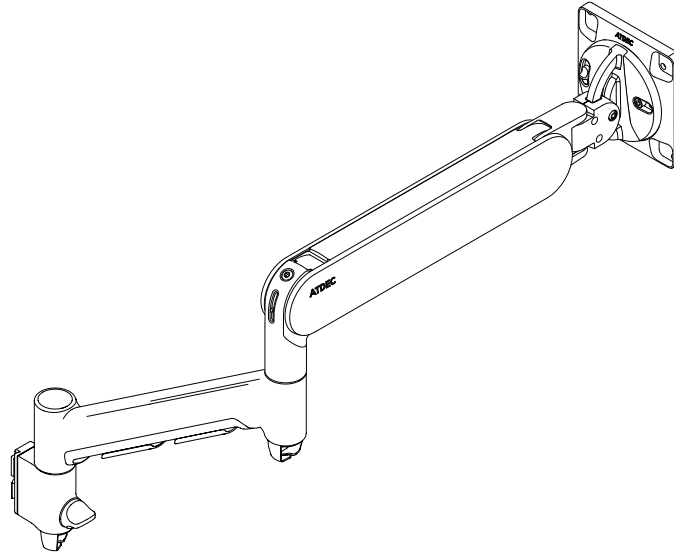
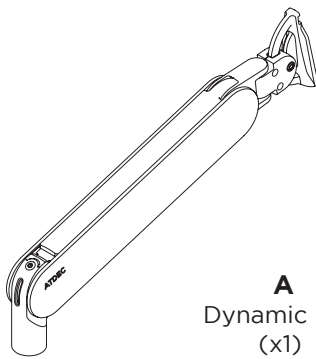


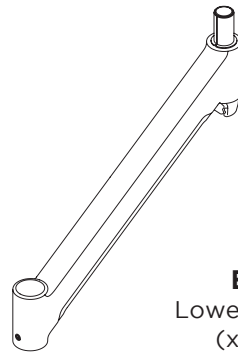
AWM Dynamic Arm for Post



COMPONENT CHECKLIST



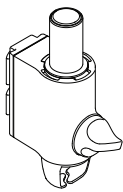
A
Dynamic Link
(x1)



B
Lower Link
(x1)



C
VESA Head
(x1)



D
Post Clamp
(x1)



E
Screw
M4x10mm
(x4)



F
Security
screw
(x1)



G
4mm
Hex Key
(x1)

Desk 

REQUIRED TOOLS

- Phillips Head Screwdriver

WEIGHT RANGE

Flat Monitor

2 - 8kg
(4.4 - 17.6lbs)

Curved Monitor

2 - 8kg
(4.4 - 17.6lbs)

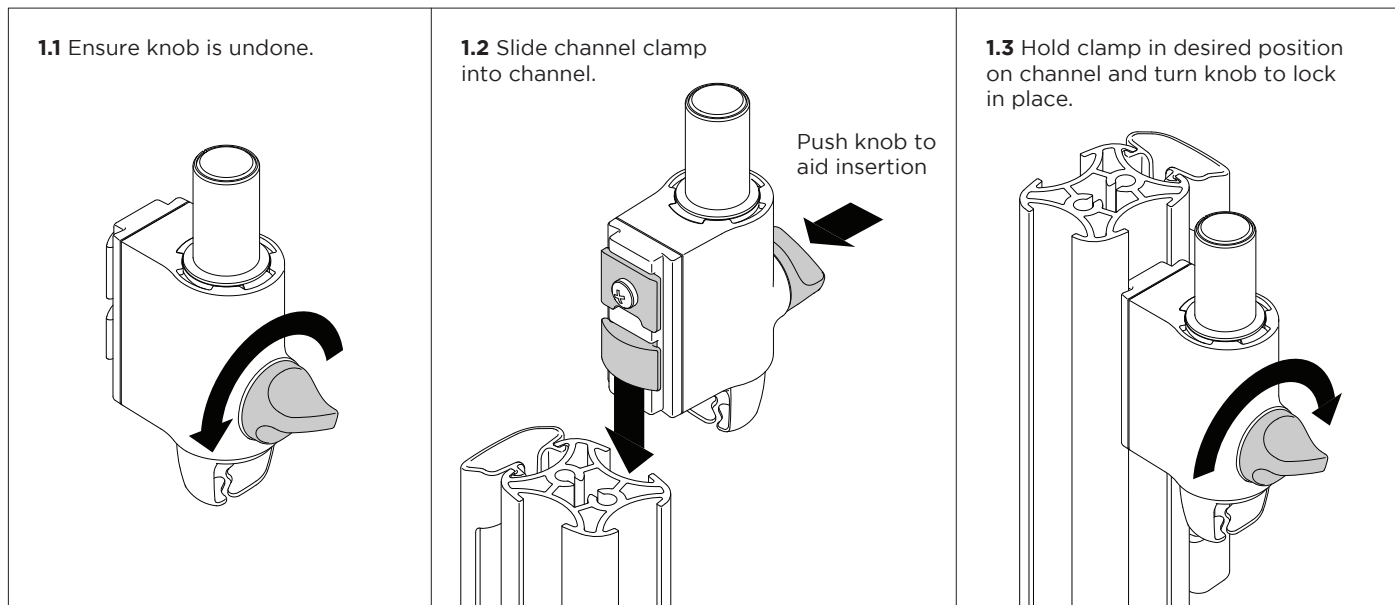
Curved monitors with an overall depth up to 140mm (5.5").

Monitor weight should be within the weight range of all modular elements that make up the complete monitor mounting solution.

IMPORTANT INFORMATION

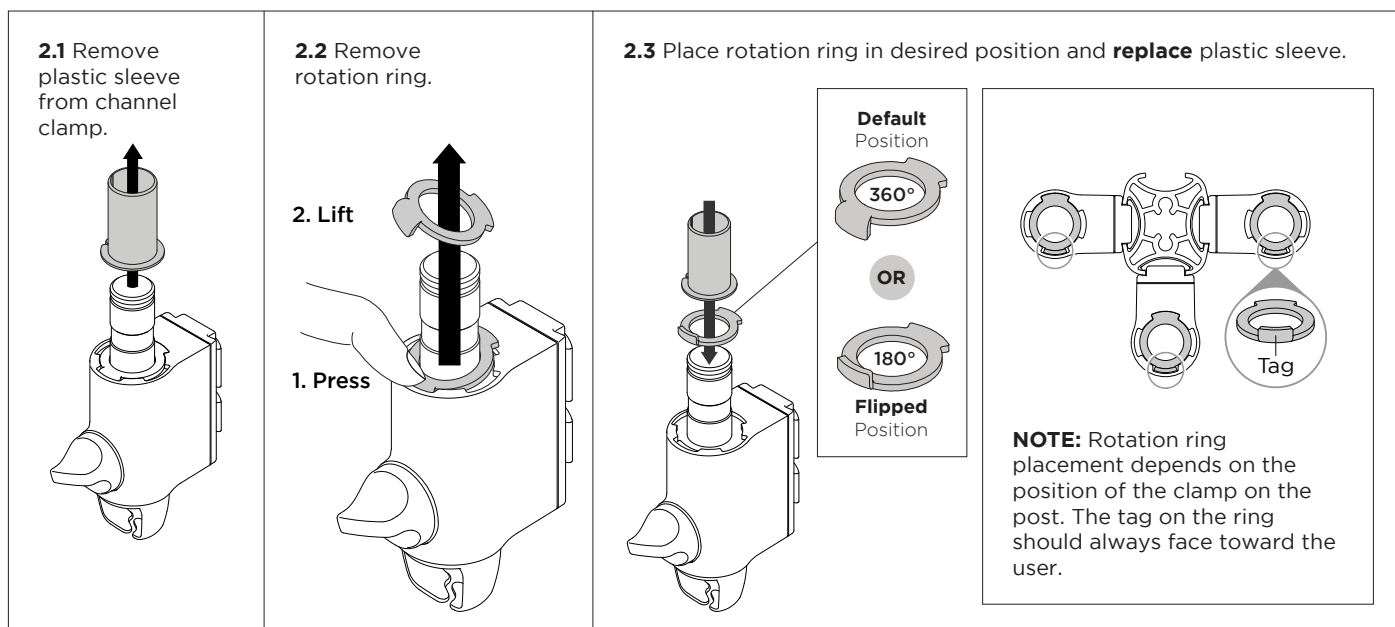
- ! Please ensure this product is installed as per these installation instructions.
- ! Do not remove or throw away the plastic sleeve on the arm link and channel clamp.
- ! The manufacturer accepts no responsibility for incorrect installation.
- ! This product is compatible with Atdec AWM Series Posts and Wall Channels
- ! This product is not suitable for outdoor use or mobile applications
- ! Do not over-tighten screws and adjustment points on product.
- ! Periodic adjustment to counterbalance and tilt tension may be required.
- ! VESA mounted accessories (such as mini PC brackets and mounts), offset VESA locations, and unevenly weighted monitors (relative to the center of the VESA mounting interface) exert additional leverage that can exceed the capacity of the mount even though the monitor weight may be within the stated range. Please contact Atdec if you would like further information.

1. Fix channel clamp to post or wall channel

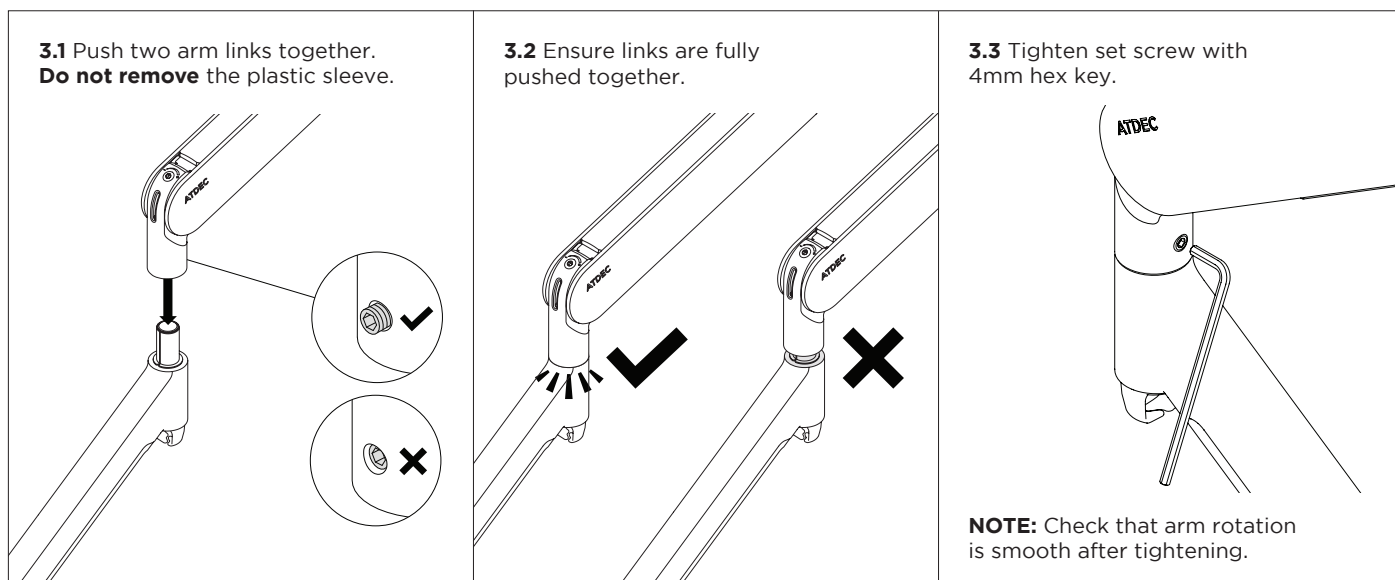


2. (OPTIONAL) Set arm rotation to 180°

NOTE: Rotation is set to 360° by default.



3. Assemble arm links



4. Fit arm onto channel clamp

4.1 Push lower link onto shaft.

IMPORTANT
Ensure plastic sleeve is fitted on post clamp.

4.2 Ensure arm is fully pushed onto shaft.

4.3 Tighten joint screw.

NOTE:
Check the arm rotation is smooth after tightening.

5. Attach VESA head to monitor

5.1 Check VESA mounting compatibility of monitor

Note: For other sizes, use a suitable adaptor plate (sold separately).

Note: Recessed 75x75 VESA interfaces will require a Spacer Kit (sold separately)

5.2 Attach VESA head onto monitor with provided screws. (Alternatively, use fasteners specified by the monitor manufacturer)

TIP
To allow monitor to be rotated upside down, mount VESA head in the alternate orientation shown.

Note logo position

Note: Ensure screw length suits the monitor VESA mounting holes.

VESA Screw
VESA Plate
Monitor

OK **Too long** **Too short**

6. Attach monitor to arm

6.1 Fit monitor onto arm.

NOTE: VESA Head will automatically latch onto the tilt link.

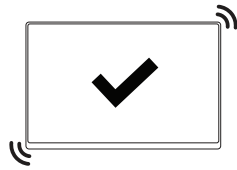
6.2 OPTIONAL SECURITY SCREW
If desired, once monitor is attached to the arm, install the security screw which disables the release switch.

7. (OPTIONAL) Adjust tilt tension

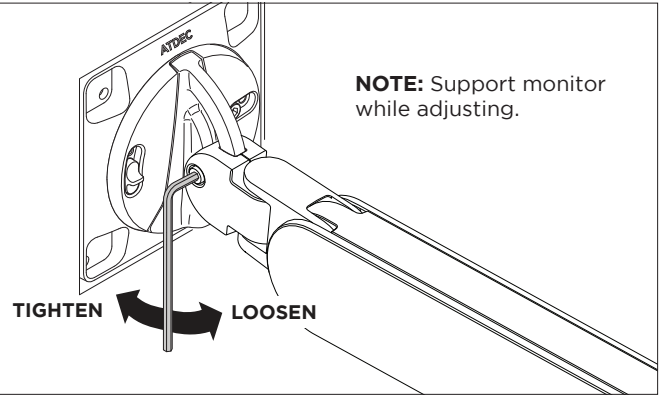
7.1 Factory set tilt tension will be suitable for most monitors. If required, adjust the tilt tension using the 4mm hex key.



DROOPS FORWARD



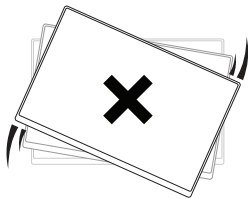
HOLDS POSITION



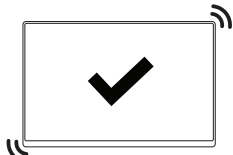
NOTE: Support monitor while adjusting.

8. (OPTIONAL) Adjust rotation tension

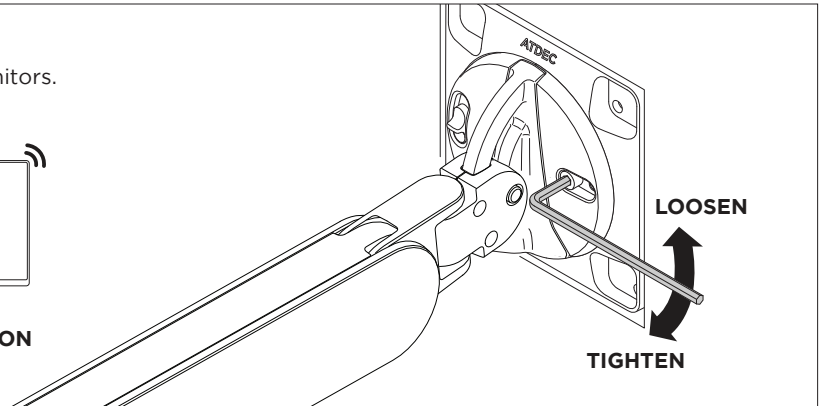
8.1 Adjust the rotation tension using 4mm hex key. Adjustment may only be required for ultrawide monitors.



DRIFTS



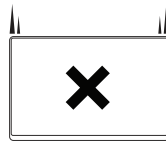
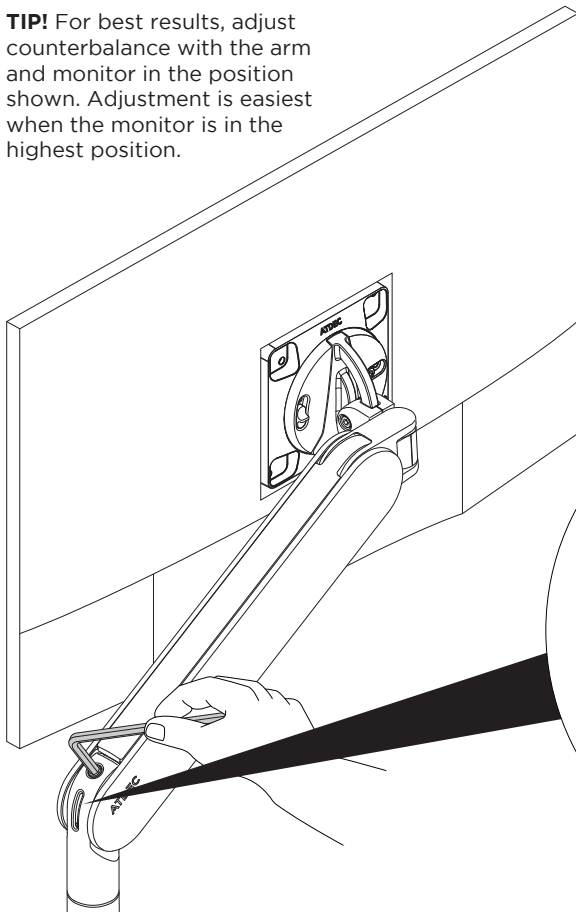
HOLDS POSITION



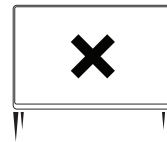
9. Adjust counterbalance tension

9.1 Using the 4mm hex key, adjust counterbalance to suit the monitor weight.

TIP! For best results, adjust counterbalance with the arm and monitor in the position shown. Adjustment is easiest when the monitor is in the highest position.



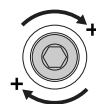
DROOPS



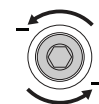
BOUNCES UP



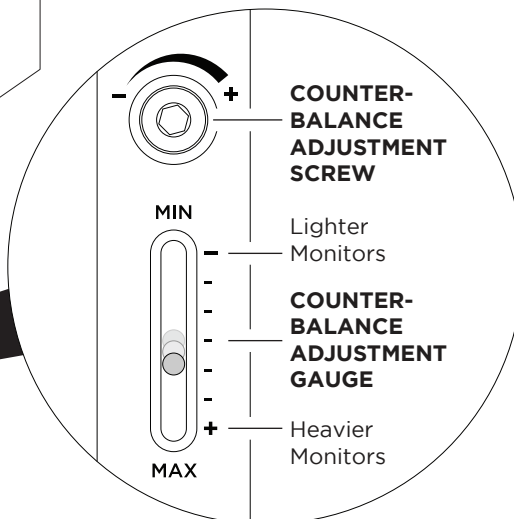
HOLDS POSITION



Increase tension



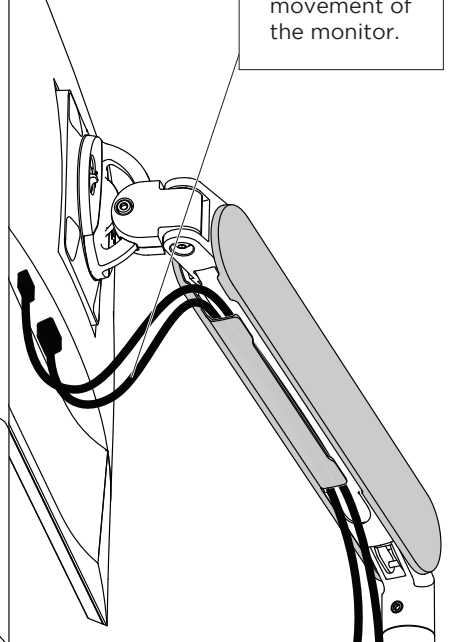
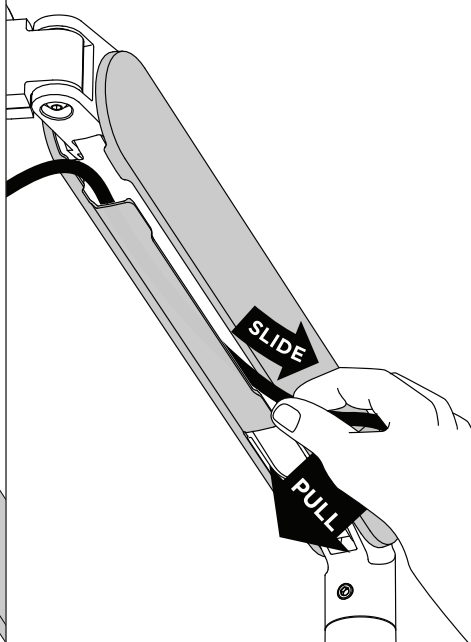
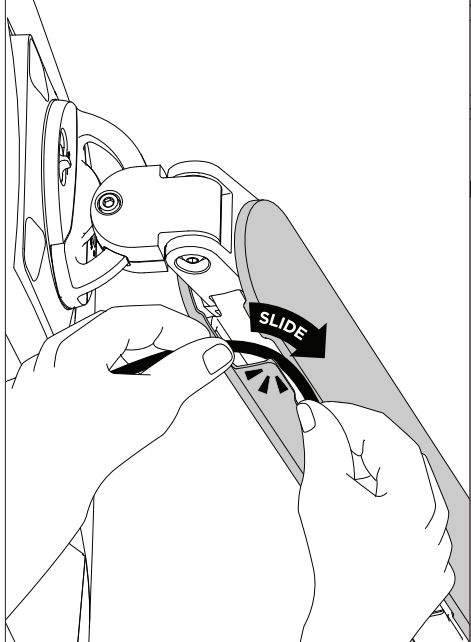
Reduce tension



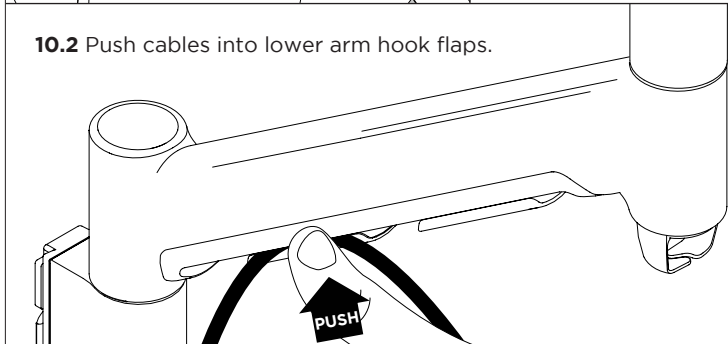
TIP! When installing multiple arms with the same monitor, use the setting on the counterbalance adjustment gauge to quickly 'pre-set' other arms (fine-tuning may be required after pre-setting).

10. Monitor arm cable management

10.1 Plug cables into the monitor and route the cables down the arm using the cable clips.



10.2 Push cables into lower arm hook flaps.



10.3 Slide the remaining loose cable from the central gap up the arm.

