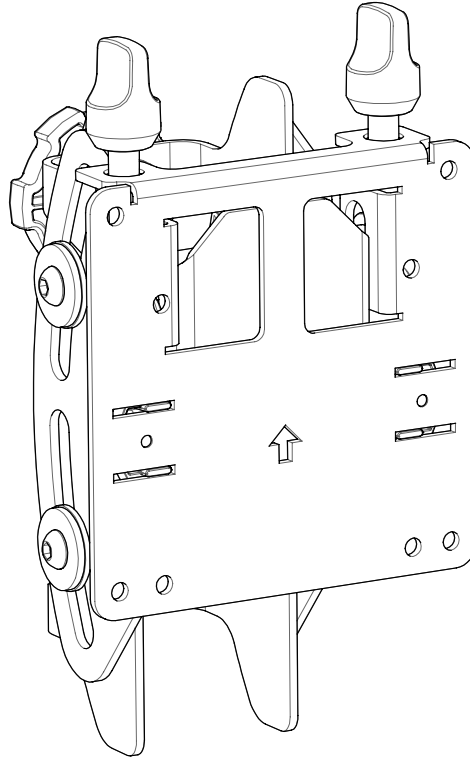


## AWM Tilt Bracket



### FEATURES

- Ideal for large, deep or heavy monitors
- Use with AWM Post
- Fix at any height on post
- Balanced tilt to set optimum display angle
- Micro adjustment allows fine tuning of height while monitor attached
- Micro adjustment allows levelling of monitor horizontal straightness
- Quick connect display attachment
- Toolless adjustment
- Displays can be mounted in landscape or portrait orientation

### Monitor weight

#### Flat

4.5 - 25kg (10 - 55lb)\*

#### Curved

4.5 - 18kg (10 - 40lb)\*

### Monitor size

24" - 57"

### Max. overall monitor depth

340mm (13.4")

### Tilt adjustment

+12° / -8°

### Micro adjustment

#### Fine tune height

+6mm/-6mm (+¼"/-¼")

#### Levelling

+2° / -2°

### VESA mounting

75x75, 100x100

### Primary material

Steel

\*Monitor weight should be within the weight range of all modular elements that make up the complete monitor mounting solution.

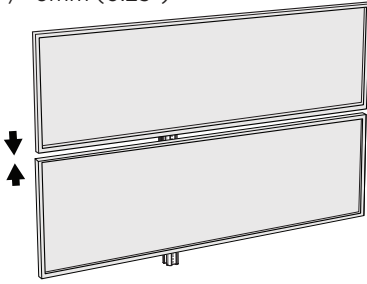
\* Curved monitors, deep devices (such as all-in-one PCs), VESA mounted accessories (such as mini PC brackets and mounts), offset VESA locations, and unevenly weighted monitors (relative to the center of the VESA mounting interface) exert additional leverage that can exceed the capacity of the mount even though the monitor weight may be within the stated range. Please contact Atdec if you would like further information.

### WARRANTY

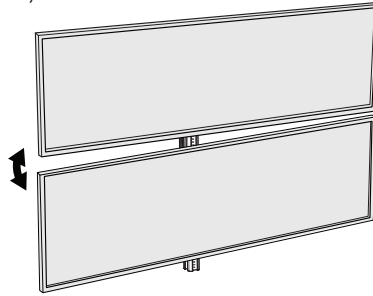
10 years limited

## MOVEMENT

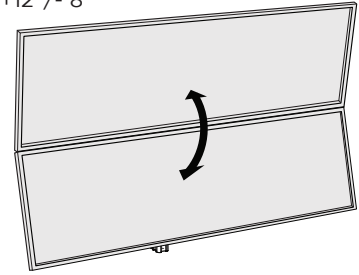
Micro adjustment - Fine tune height  
+/- 6mm (0.25")



Micro adjustment - Levelling  
+/- 2°

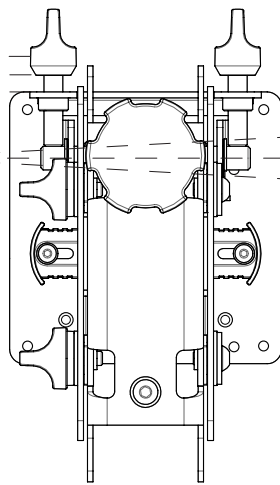


Tilt angle  
+12°/- 8°



Fine tune height adjustment

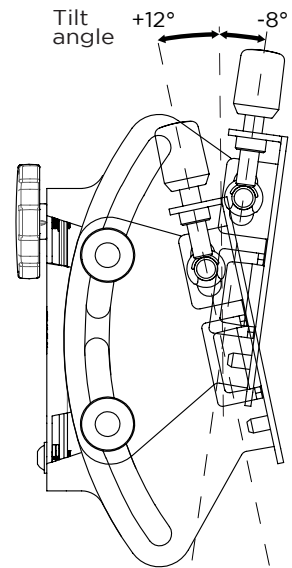
+6mm  
(0.25")  
-6mm  
(0.25")



BACK VIEW

Levelling adjustment

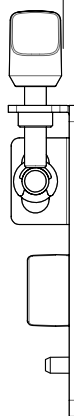
+2°  
-2°



SIDE VIEW

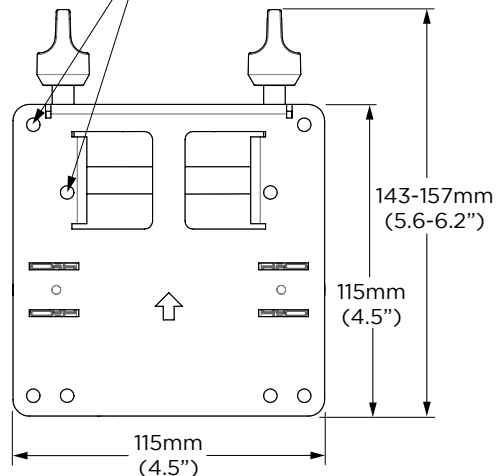
## VESA BRACKET DIMENSIONS

5mm\*  
(0.2")



SIDE VIEW

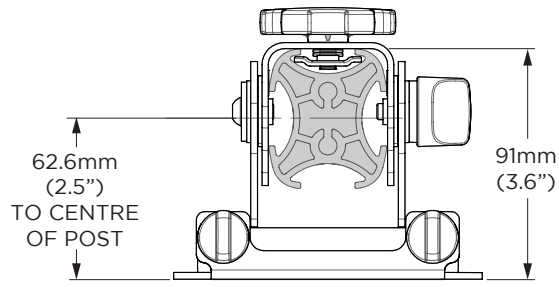
75x75 and 100x100  
VESA mounting holes



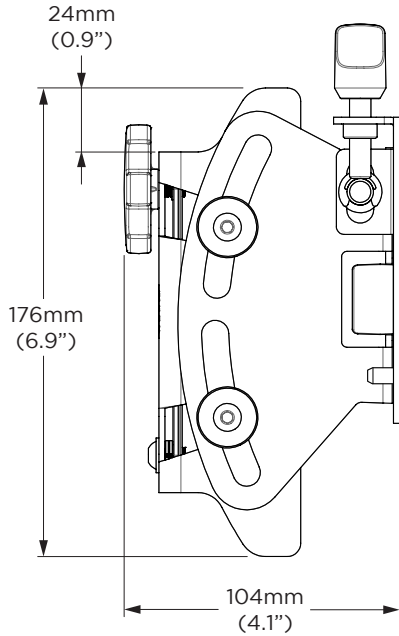
FRONT VIEW

\* Supplied 10mm spacers may be required for recessed monitor surfaces

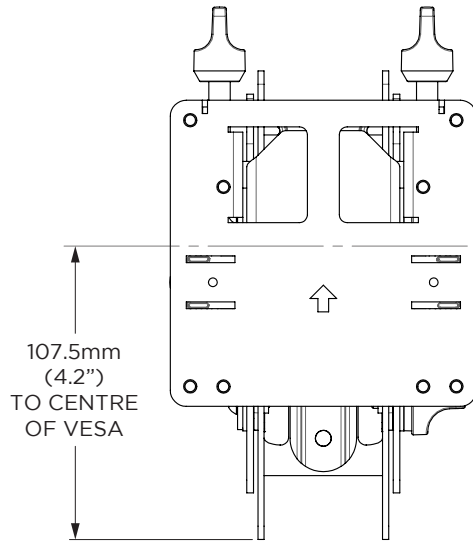
# DIMENSIONS



TOP VIEW



SIDE VIEW



FRONT VIEW