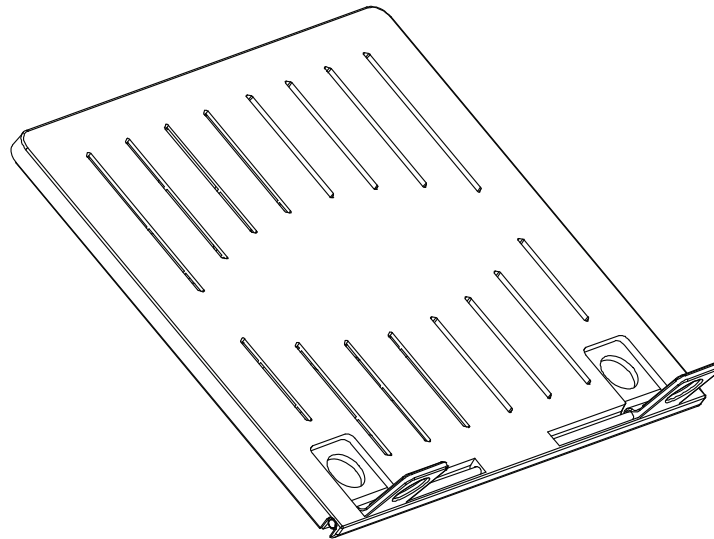
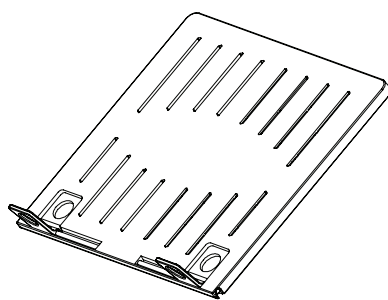


AWM Notebook Tray



COMPONENT CHECKLIST



Notebook
Tray
(x1)



Hook-and-Loop
Fasteners
(x4)

Desk 

Wall 

REQUIRED TOOLS

- 4mm allen key
(supplied with monitor arm)

WEIGHT RANGE

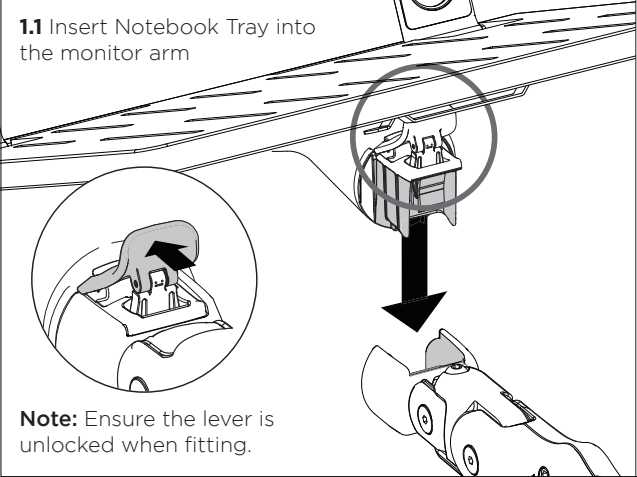
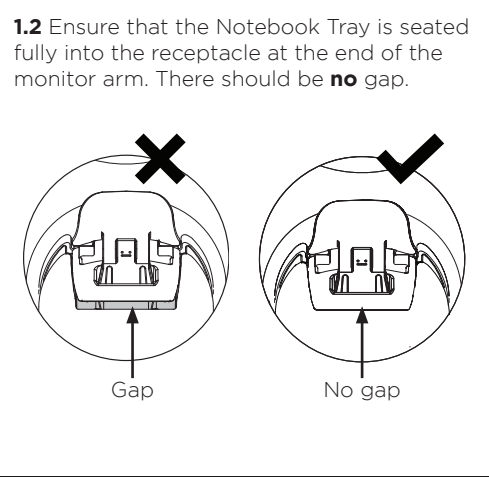
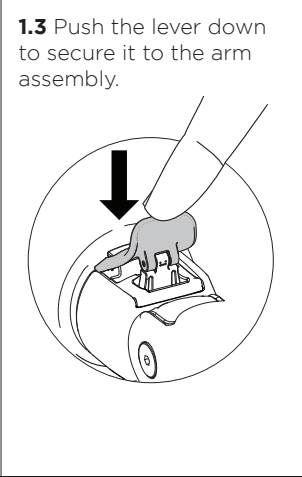
0 - 8kg
(0 - 18lb)

Device weight should be within the weight range of all modular elements that make up the complete monitor mounting solution.

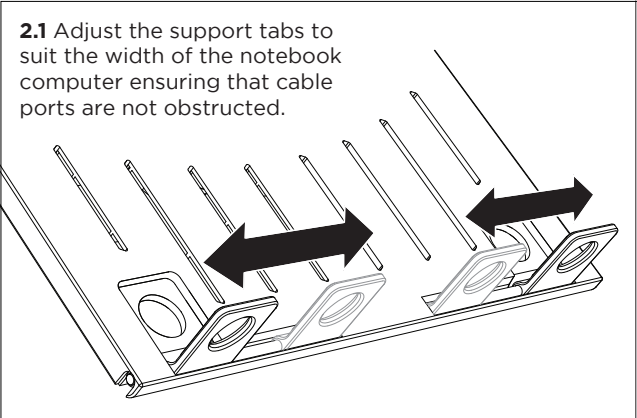
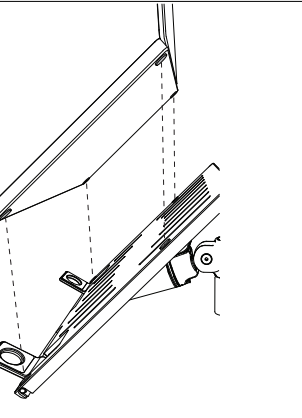
IMPORTANT INFORMATION

- ! Please ensure this product is installed as per these installation instructions.
- ! This product is compatible with AWM Series monitor arms: AWM-A13, AWM-A46, AWM-A71, AWM-AD
- ! The manufacturer accepts no responsibility for incorrect installation.

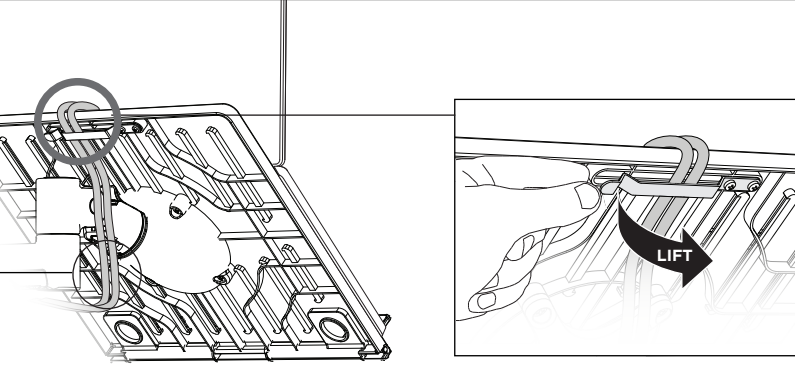
1. Mount Notebook Tray onto arm

| | | |
|---|---|---|
| <p>1.1 Insert Notebook Tray into the monitor arm</p>  <p>Note: Ensure the lever is unlocked when fitting.</p> | <p>1.2 Ensure that the Notebook Tray is seated fully into the receptacle at the end of the monitor arm. There should be no gap.</p>  <p>Gap No gap</p> | <p>1.3 Push the lever down to secure it to the arm assembly.</p>  |
|---|---|---|

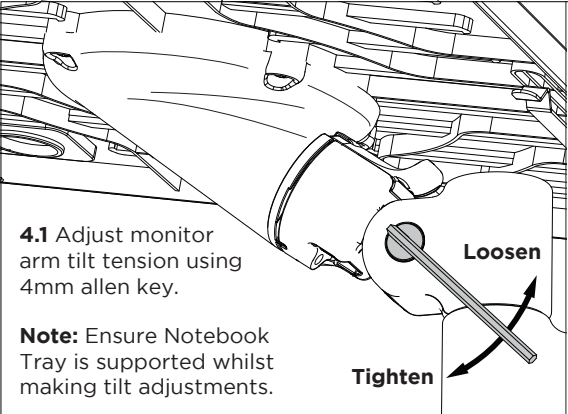
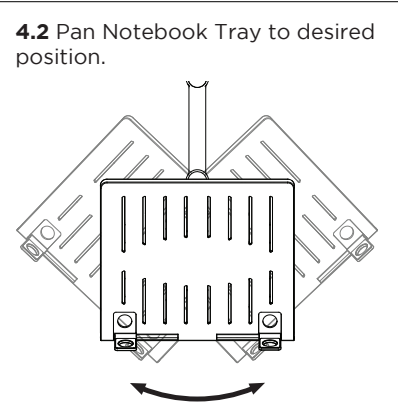
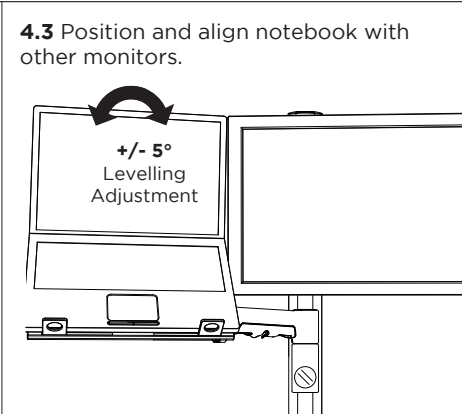
2. Mount notebook computer

| | | |
|--|--|--|
| <p>2.1 Adjust the support tabs to suit the width of the notebook computer ensuring that cable ports are not obstructed.</p>  | <p>2.2 To increase stability, use the self adhesive Hook-and-Loop Fasteners supplied.</p> <ol style="list-style-type: none"> Peel off the backing paper to the fasteners. Attach fasteners to both the Notebook Tray and notebook computer. Ensure that each set of fasteners are correctly aligned i.e. Hook to Loop. |  |
|--|--|--|

3. Cable management

| | | |
|--|--|---|
| <p>3.1 Cable clips and covers can be used to further manage cables.</p> <p>Note: Ensure enough cable slack is given to allow for movement.</p> |  | <p>Note: After connecting the notebook computer cables, route them through the cable management clip on the back of the Notebook Tray.</p> |
|--|--|---|

4. Adjust Notebook Tray

| | | |
|--|---|---|
| <p>4.1 Adjust monitor arm tilt tension using 4mm allen key.</p> <p>Note: Ensure Notebook Tray is supported whilst making tilt adjustments.</p>  <p>Loosen Tighten</p> | <p>4.2 Pan Notebook Tray to desired position.</p>  | <p>4.3 Position and align notebook with other monitors.</p>  <p>+/- 5° Levelling Adjustment</p> |
|--|---|---|