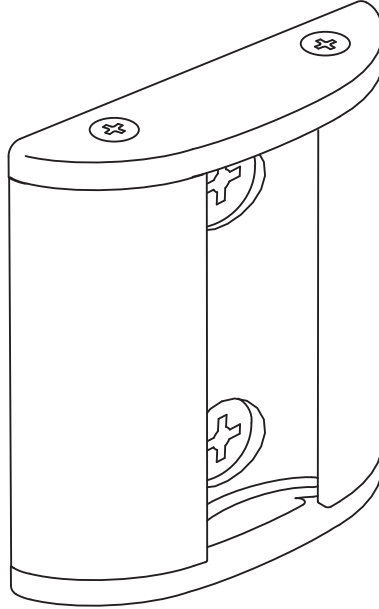
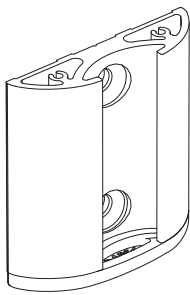


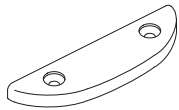
## Wall Channel



### COMPONENT CHECKLIST



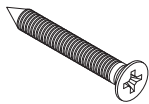
**A**  
Wall channel  
(x1)



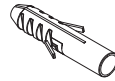
**B**  
Top Cap  
(x1)



**C**  
Top Cap  
Screws  
(x2)



**D**  
M6 x 50mm  
Countersunk  
Screw (x2)



**E**  
Nylon  
Anchor (x2)

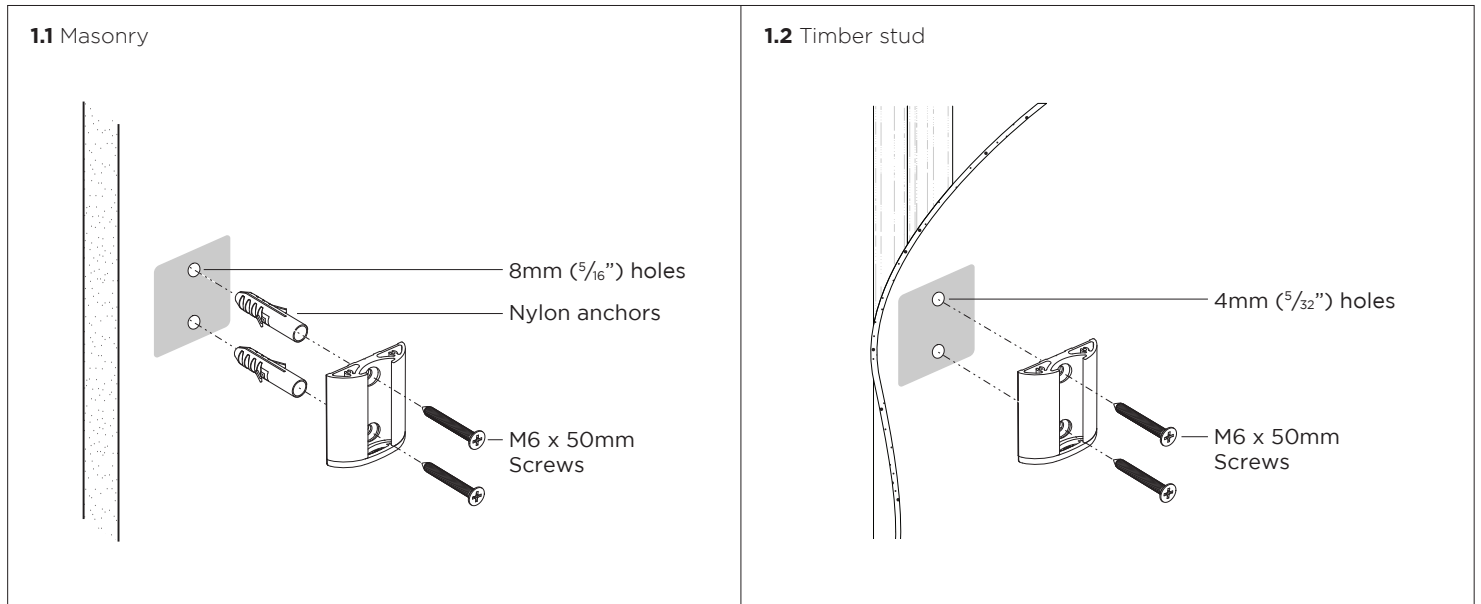
### REQUIRED TOOLS

- Power Drill
- 4mm ( $\frac{5}{32}$ " ) Drill Bit
- 8mm ( $\frac{5}{16}$ " ) Drill Bit
- Phillips Head Screwdriver

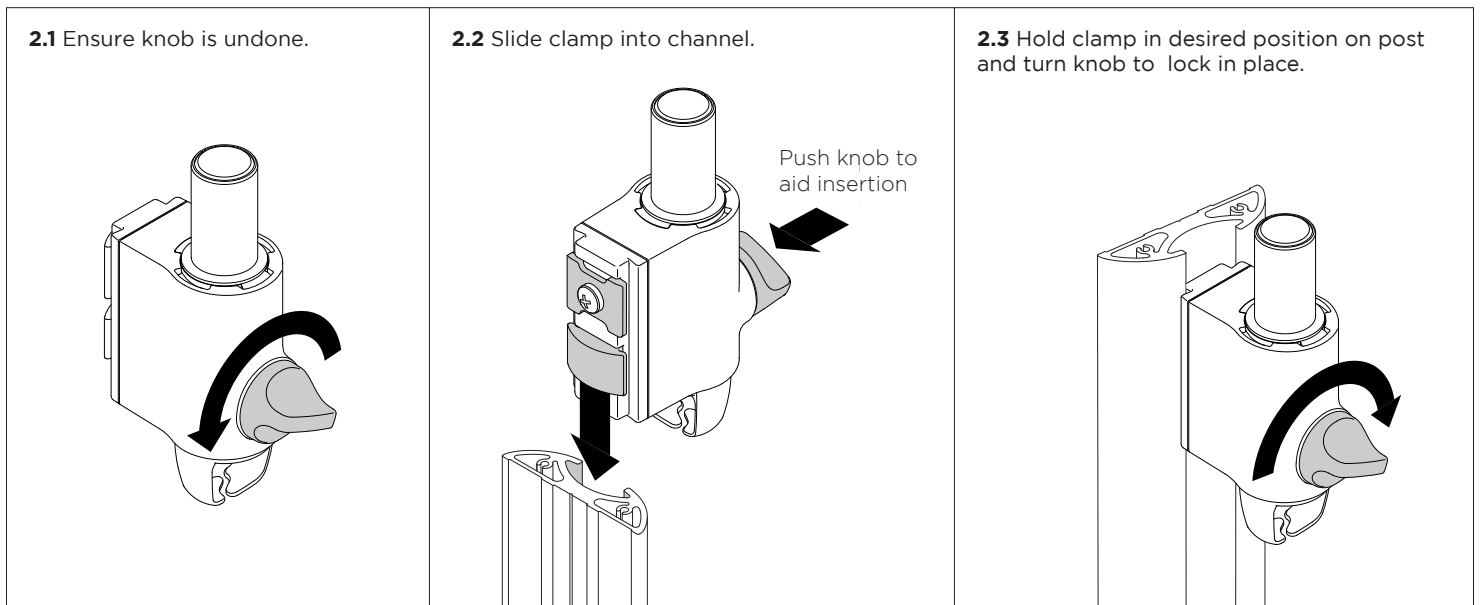
### IMPORTANT INFORMATION

- ! Please ensure this product is installed as per these installation instructions.
- ! This product is compatible with AWM Series products.
- ! The manufacturer accepts no responsibility for incorrect installation.

## 1. Install Wall Channel - Ensure all fasteners are installed



## 2. Fit channel clamp to wall channel



## 3. Fit top cap to wall channel

