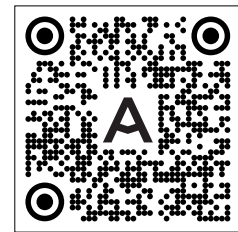
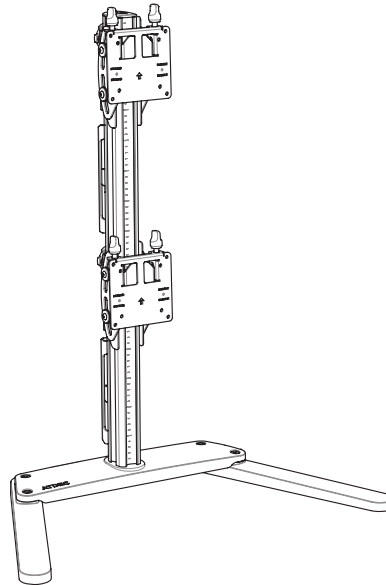


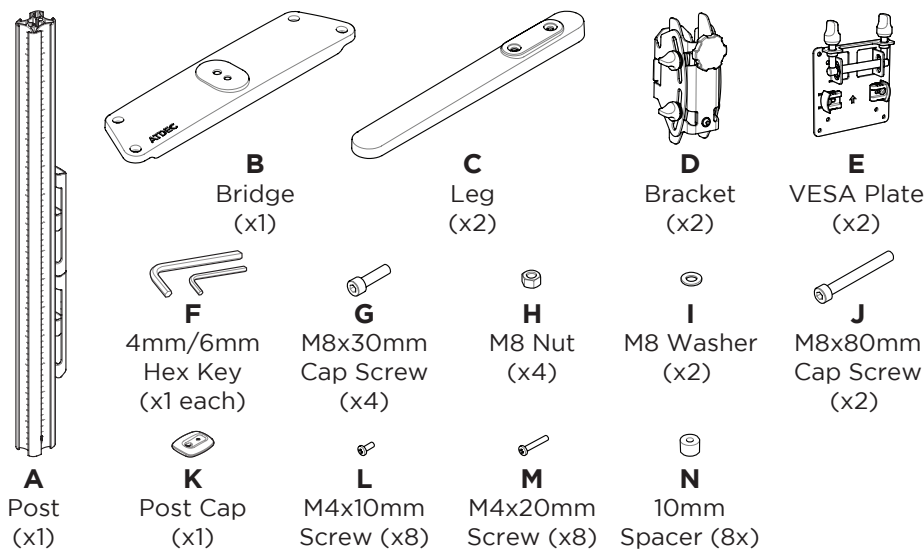
# Freestanding Heavy Duty Dual Vertical Monitor Mount



Scan to access  
more information



### COMPONENT CHECKLIST



### REQUIRED TOOLS

- Phillips Head Screwdriver

### CAPACITY (per monitor)

**Flat Monitor**  
4.5 - 25kg (10 - 55lb)

**Curved Monitor**  
4.5 - 18kg (10 - 40lb)

**Display Size**  
24" - 55"  
300mm (12") max  
overall display depth

### IMPORTANT INFORMATION

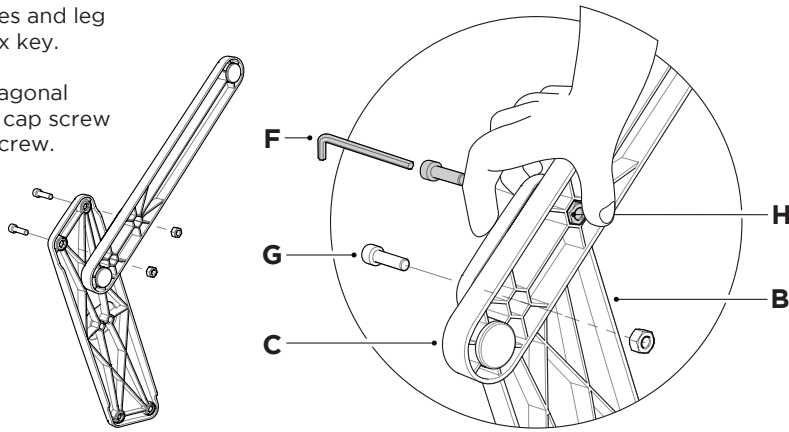
- ! **Product should only be assembled and used as per these installation instructions.**
- ! The manufacturer accepts no responsibility for incorrect installation.
- ! Each bracket supports a maximum weight as per above capacity specification.
- ! Avoid applying downward load to corners of display.
- ! Product must only be installed on a solid work surface capable of supporting the weight of all equipment being mounted.
- ! This product is not suitable for outdoor use.
- ! Do not use this product for mobile applications.
- ! Do not move mount with displays attached.
- ! VESA mounted accessories (such as mini PC brackets and mounts), and offset VESA locations exert additional leverage that can exceed the capacity of the mount even though the monitor weight may be within the stated range. Please contact Atdec if you would like further information.
- ! **WARNING!** Death or serious injury may occur if a child climbs on or tips product. Anchor product if applicable. Never place product in an unstable location.

# 1. Assemble base

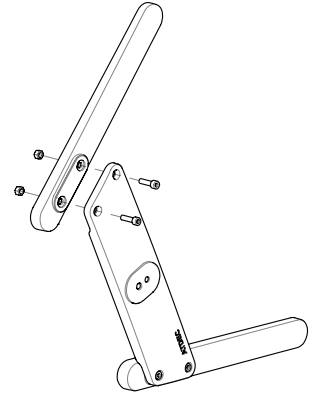
**1.1** Align bridge holes and leg holes. Use 6mm hex key.

Hold M8 nut in hexagonal recess until M8x30 cap screw engages. Tighten screw.

**NOTE:**  
Rest short end of bridge on a soft surface while fastening



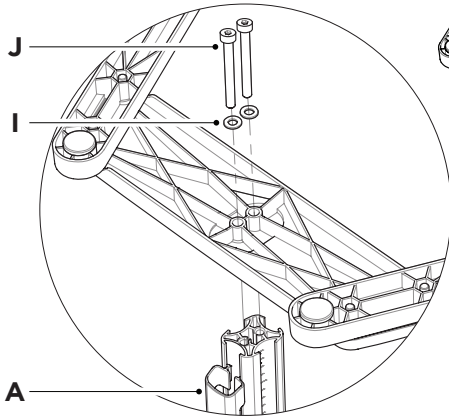
**1.2** Repeat on opposite leg.



# 2. Attach post to base

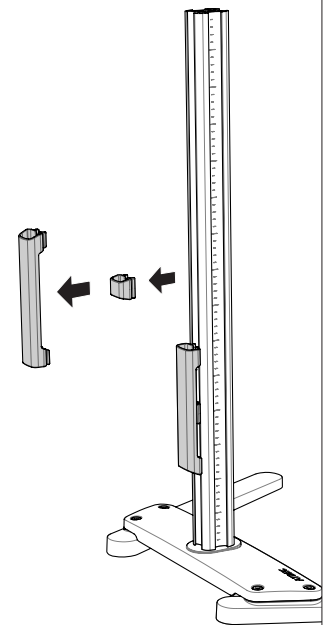
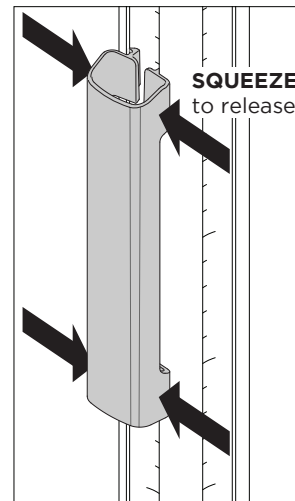
**2.1** Insert M8x80 cap screws (x2) through M8 washers and holes in base then fasten to post.

Tighten firmly.



**NOTE:**  
Assemble with Cable Covers facing backwards (Towards the small side of Base)

**2.2** Remove clips and covers from post by sliding up and out or by squeezing sides.

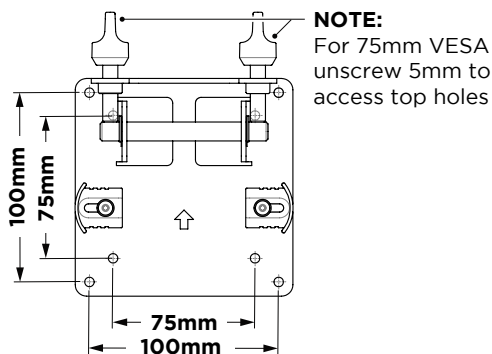


# 3. Attach VESA plates to displays

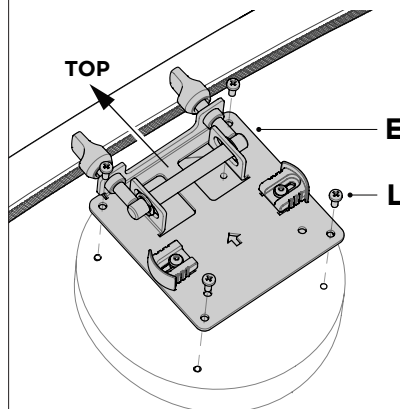
**3.1** VESA compatibility,

**NOTE:**

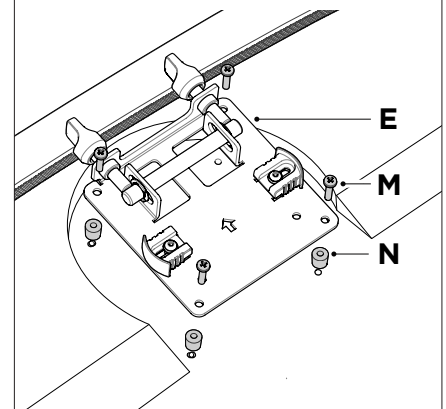
Some displays require the use of a VESA adapter before attaching the VESA plate. This VESA adapter may ship in the box with the display. Consult your display's installation guide for further information.



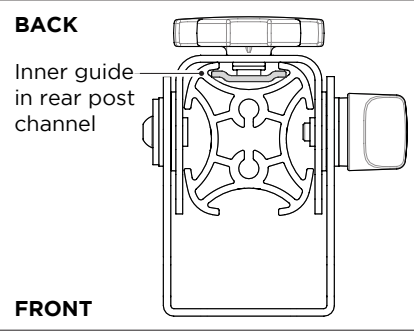
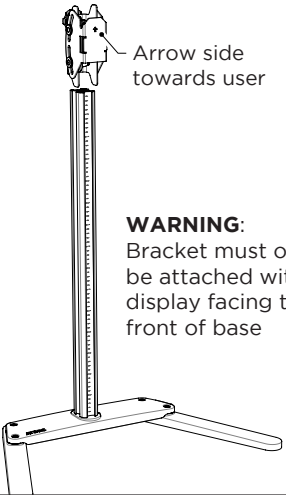
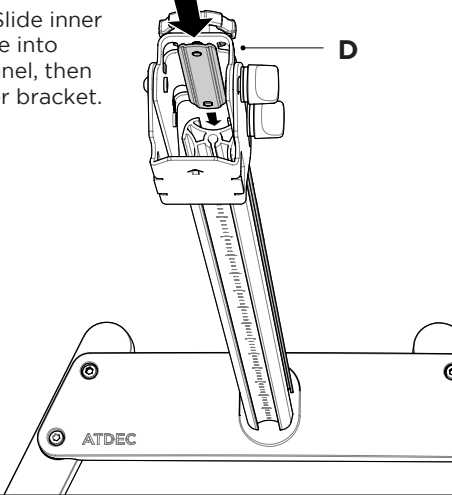
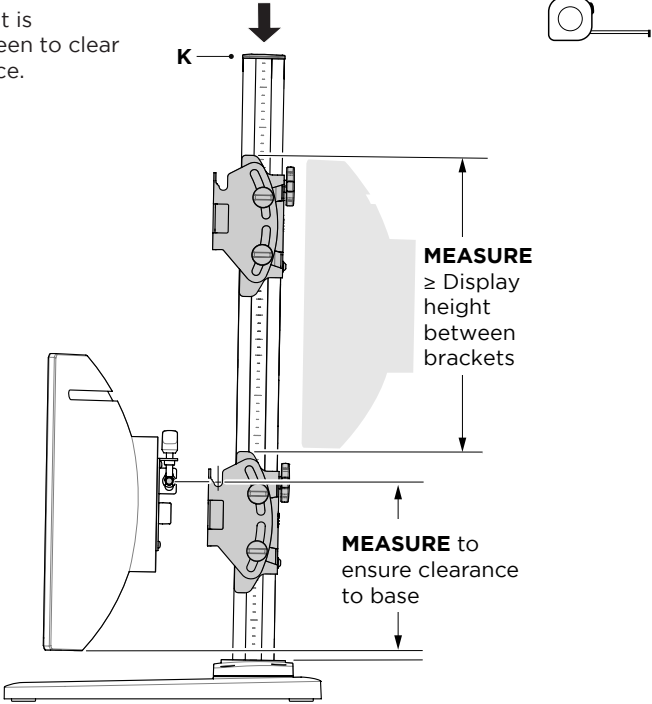
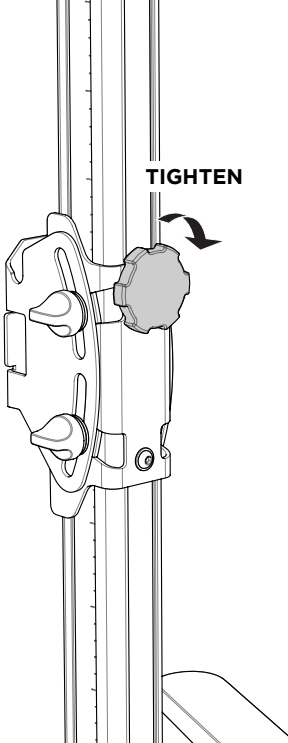
**Option A** Attach VESA plate with M4x10mm screws.



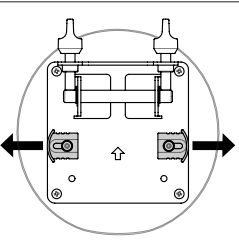
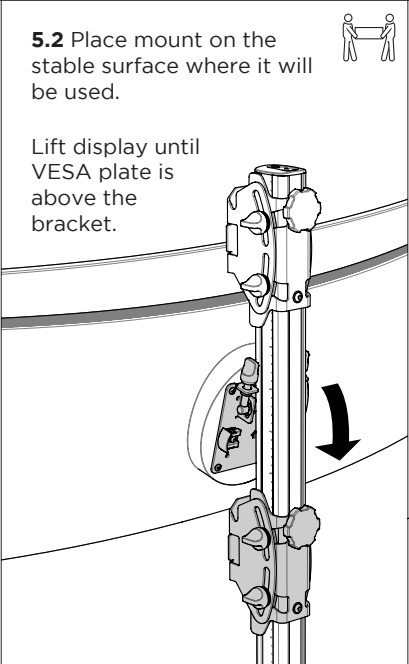
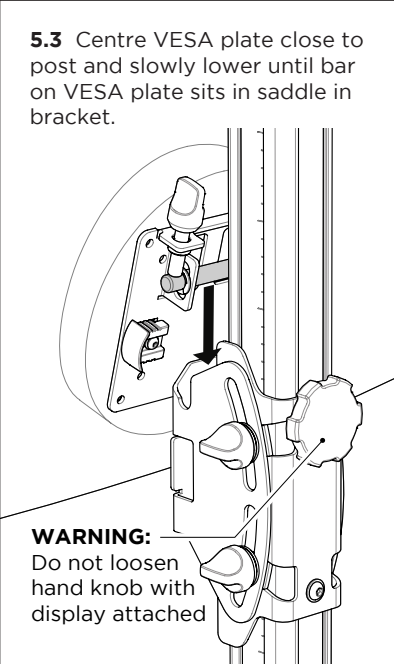
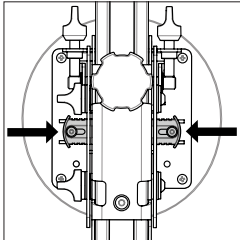
**Option B** For recessed VESA use 10mm spacers and M4x20mm screws.



## 4. Slide brackets onto post and set height

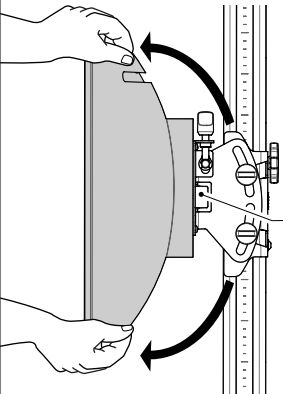
<p><b>4.1</b> Line up the inner guide on rear of bracket with rear channel on post.</p> <p><b>VIEW FROM ABOVE</b></p> <p><b>BACK</b></p> <p>Inner guide in rear post channel</p> <p><b>FRONT</b></p> 	<p>Arrow side towards user</p> <p><b>WARNING:</b> Bracket must only be attached with display facing the front of base</p> 	<p><b>4.2</b> Slide inner guide into channel, then lower bracket.</p> <p><b>D</b></p> 
<p><b>4.3</b> Ensure height is sufficient for screen to clear base once in place.</p> <p><b>K</b></p> <p><b>MEASURE</b> ≥ Display height between brackets</p> <p><b>MEASURE</b> to ensure clearance to base</p> 	<p><b>4.4</b> Firmly tighten hand knob at chosen height.</p> <p>Repeat with second bracket and fit post cap.</p> <p><b>TIGHTEN</b></p> <p><b>WARNING:</b> Never loosen knob while display is on bracket!</p> 	

## 5. Attach bottom display

<p><b>5.1</b> Set VESA plate clips to open position.</p> <p>Bottom display must be attached to bracket first.</p> <p><b>WARNING:</b> Use two people to install display</p> <p><b>OPEN</b></p> 	<p><b>5.2</b> Place mount on the stable surface where it will be used.</p> <p>Lift display until VESA plate is above the bracket.</p> 	<p><b>5.3</b> Centre VESA plate close to post and slowly lower until bar on VESA plate sits in saddle in bracket.</p> <p><b>WARNING:</b> Do not loosen hand knob with display attached</p> 	<p><b>5.4</b> Set VESA plate clips to closed position.</p> <p><b>NOTE:</b> Display hangs from the bracket like a painting. After clips are closed, if corners of the screen are pushed downwards, rocking movement is expected.</p> <p><b>CLOSED</b></p> 
---	---	---	--

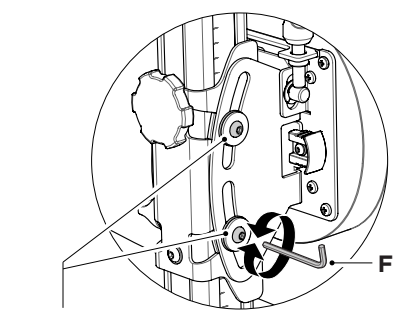
## 6. Set tilt

**6.1** Adjust display tilt angle by gripping edges of screen and rolling up or down to desired position.



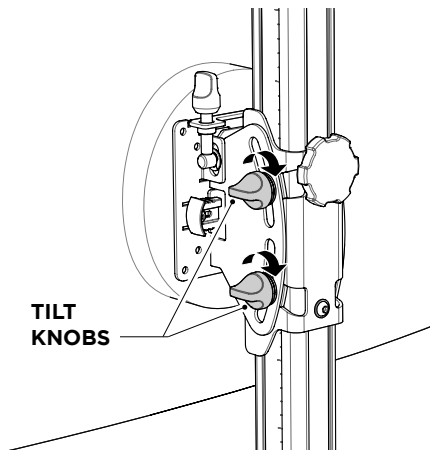
**WARNING:**  
Ensure clips closed before tilting

**OPTIONAL ADJUSTMENT - TILT FRICTION**  
4mm hex key can be used to reduce tilt friction (for light screen) or increase tilt friction (for heavy screen).



Clockwise = More friction  
Anti-clockwise = Less friction

**6.2** Tighten tilt knobs to set.



**TILT KNOBS**

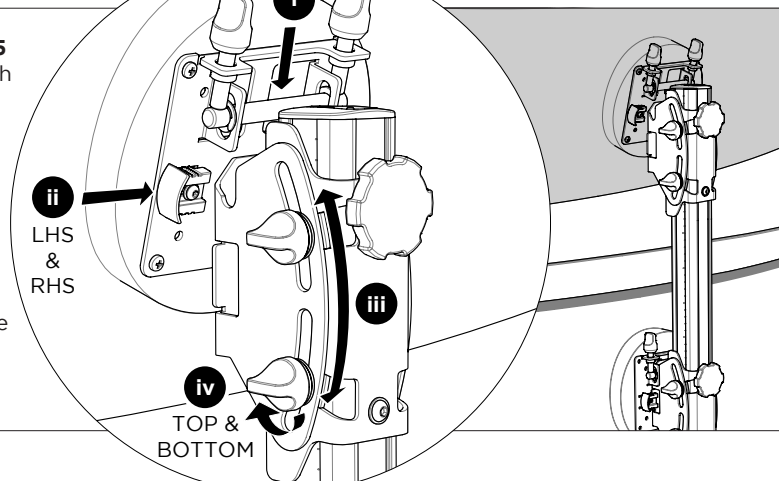
## 7. Attach top display

**7.1** Check that distance between brackets is equal to or greater than the height of the display. (see image in **Step 4.3**)

**WARNING:**  
Damage to monitors may occur if there is insufficient spacing between brackets. Top monitor must hang in bracket - not be held up by the monitor below it. After both displays are attached, use fine adjustment to close gap between them (see **Step 8**).

**7.2** Repeat **Step 5** & **Step 6** to attach top display and set tilt angle.

- i Lower
- ii Close
- iii Adjust angle
- iv Set angle

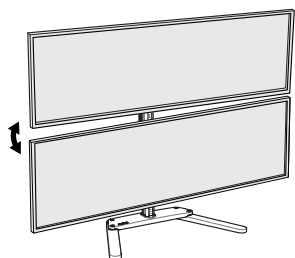


**i** Lower  
**ii** LHS & RHS  
**iii** Adjust angle  
**iv** TOP & BOTTOM

## 8. Fine adjustment

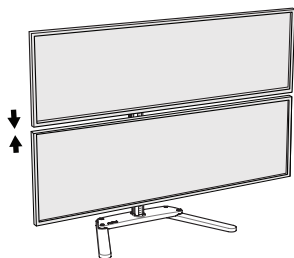
**8.1** To correct horizontal angle of display +/- 3°:

Turn a single fine tune adjustment knob to adjust angle of screen.



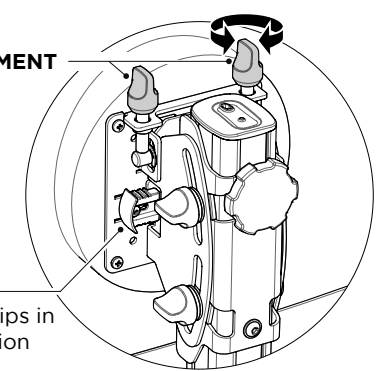
**8.2** To close small gap between displays +/-6mm (1/4"):

Turn both fine tune adjustment knobs - alternating sides a few rotations at a time.



Clockwise = Higher  
Anti-clockwise = Lower


**FINE ADJUSTMENT KNOBS**




**NOTE:**  
Ensure slide clips in **CLOSED** position

## 9. Cable management options

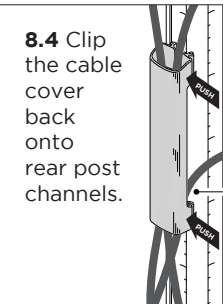
**8.1** Load cables into cable clip.



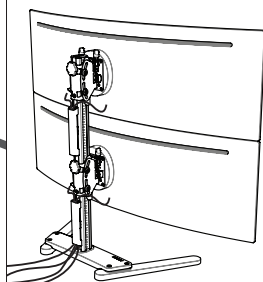
**8.3** Load cables into cable cover.



**8.4** Clip the cable cover back onto rear post channels.



Cables can exit from the side of the cable cover



**WARNING:**  
Always remove displays before moving mount