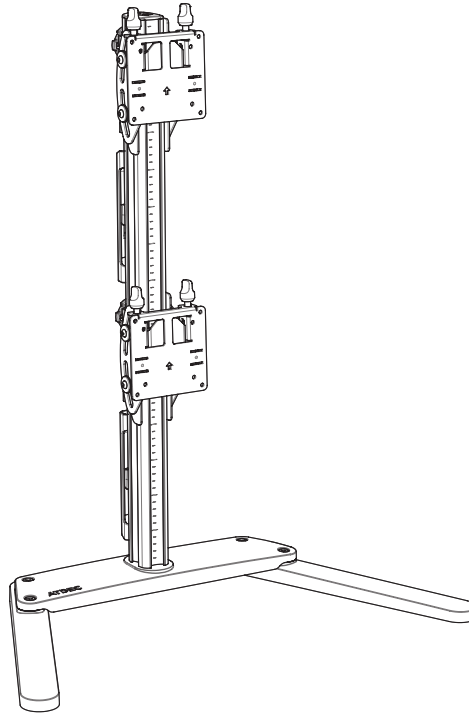


Freestanding Heavy Duty Dual Vertical Monitor Mount



FEATURES

- Accommodates two large monitors
- Freestanding solution provides flexibility of placement - no need for permanent fixtures
- Toolless height and tilt adjustment
- Balanced tilt for ease of setting optimum screen angle
- Micro adjustment provides the ability to fine tune small gaps between monitors and level screens
- Quick connect display attachment
- Cable management guides cables discreetly down to work surface
- Easy to assemble and disassemble base - recycle aluminium base and post at end of product life

Monitor weight	(per monitor)
Flat	4.5 - 25kg (10 - 55lb)*
Curved	4.5 - 18kg (10 - 40lb)*
Monitor size	24" - 55"
Max. overall monitor depth	300mm (12")
Tilt adjustment	+12° / -8°
Height adjustment	574mm (22.6")
Micro adjustment	
Fine tune height	+6mm/-6mm (+¼"/-¼")
Levelling	+3° / -3°
VESA mounting	75x75 100x100
Primary materials	Aluminium, Steel

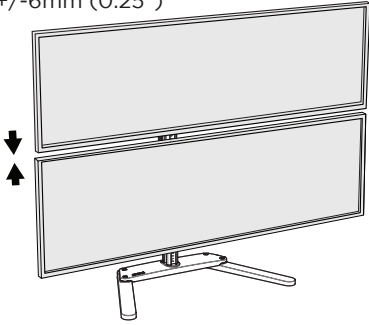
*Offset VESA locations exert additional leverage that can exceed the capacity of the mount even though the monitor weight may be within the stated range. Please contact Atdec if you would like further information.

WARRANTY

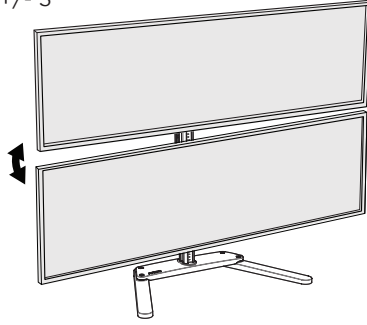
10 years limited

MOVEMENT

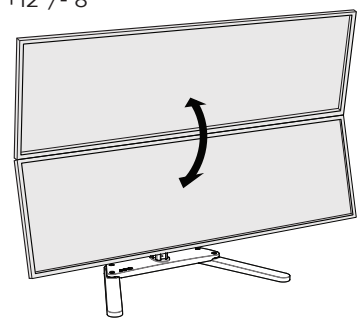
Micro adjustment - Fine tune height
+/-6mm (0.25")



Micro adjustment - Levelling
+/- 3°

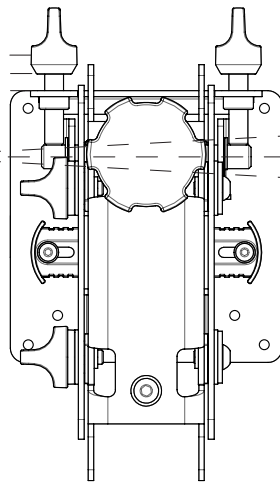


Tilt angle
+12°/- 8°



Fine tune height adjustment

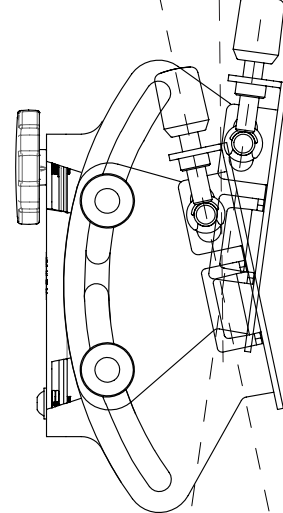
+6mm (0.25")
-6mm (0.25")



Levelling adjustment

+3°
-3°

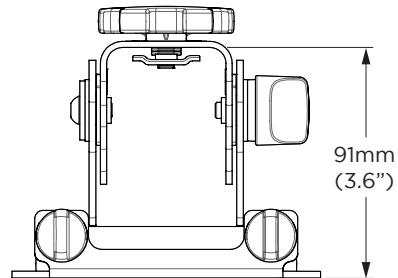
Tilt angle +12° -8°



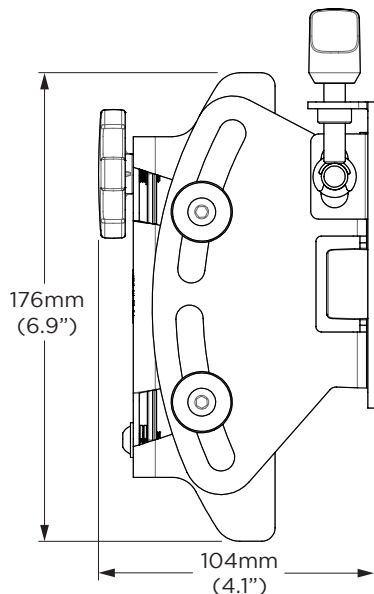
BACK VIEW

SIDE VIEW

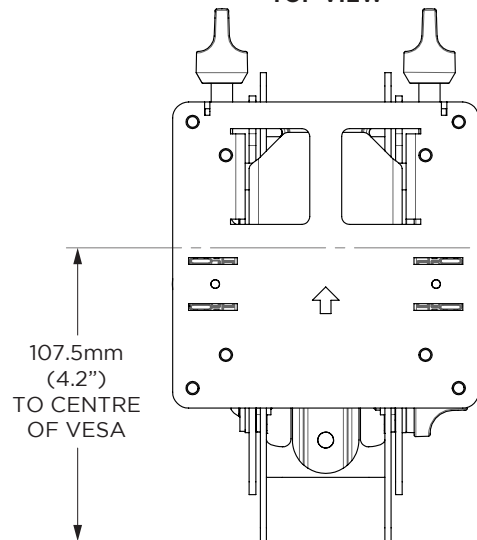
TILT BRACKET DIMENSIONS



TOP VIEW



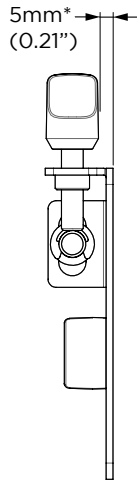
SIDE VIEW



107.5mm (4.2")
TO CENTRE OF VESA

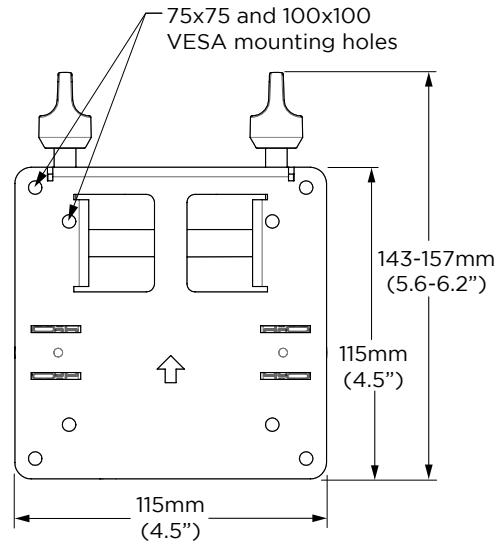
FRONT VIEW

VESA BRACKET DIMENSIONS



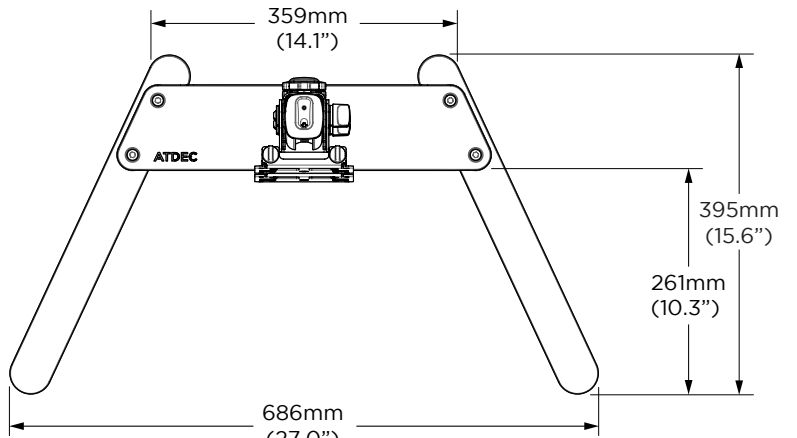
* Supplied 10mm spacers may be required for recessed monitor surfaces

SIDE VIEW

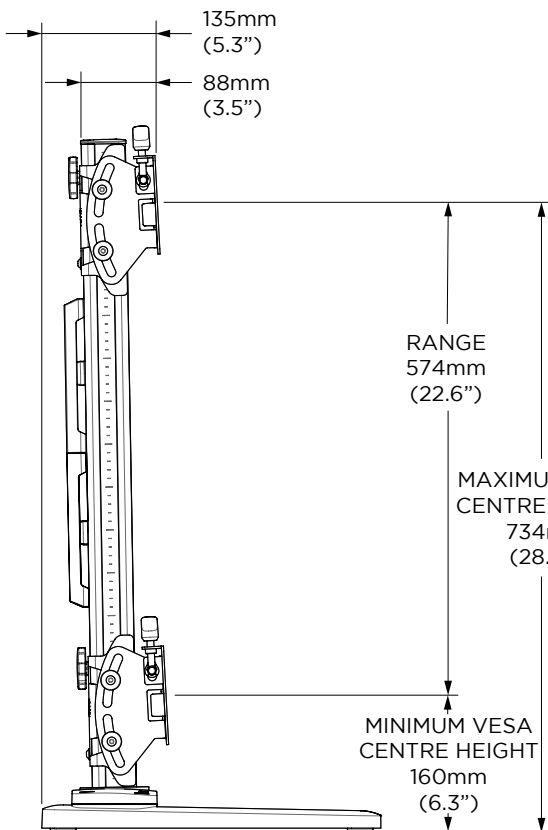


FRONT VIEW

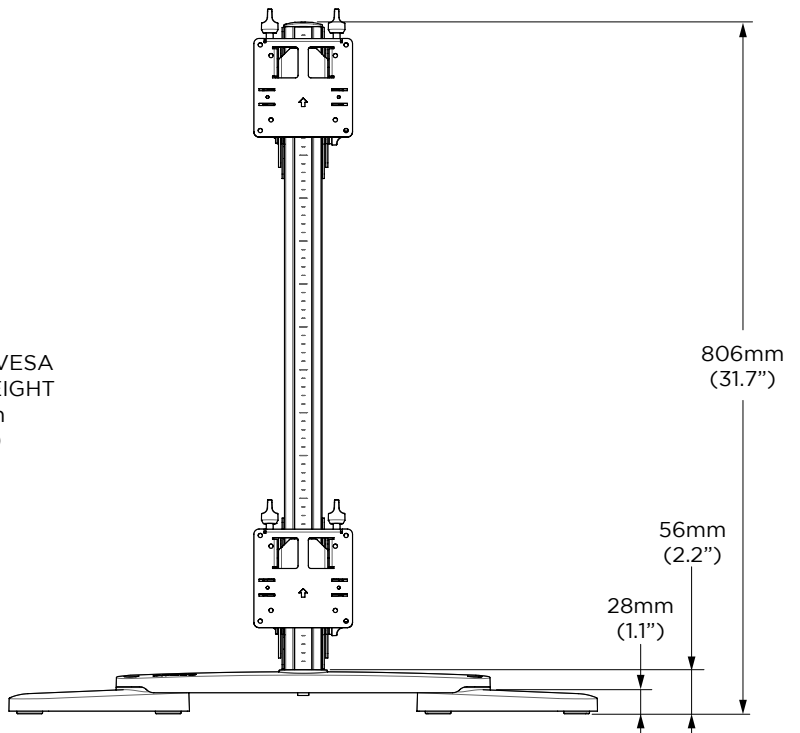
DIMENSIONS



TOP VIEW



SIDE VIEW



FRONT VIEW