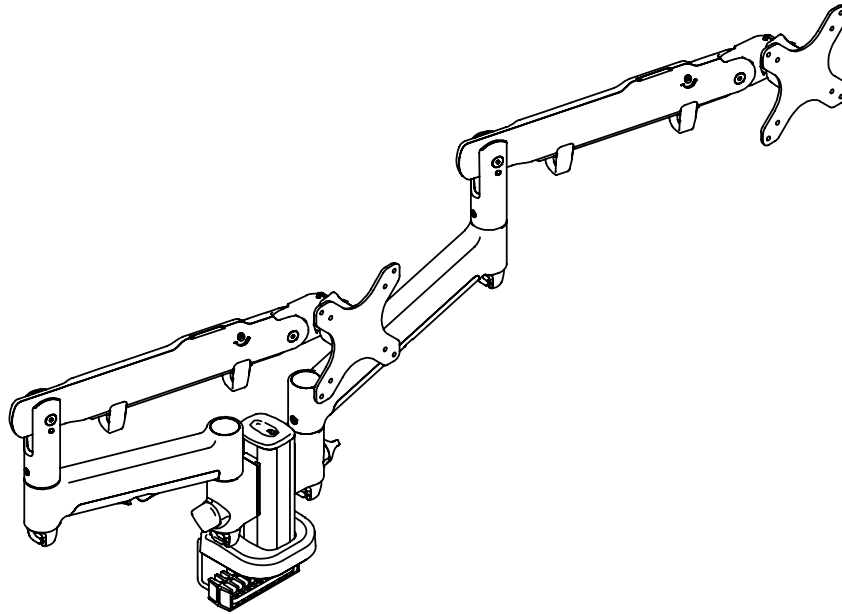
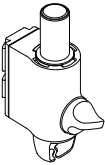
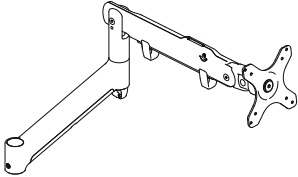
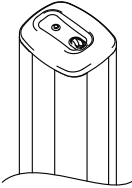
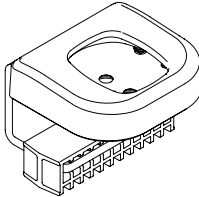

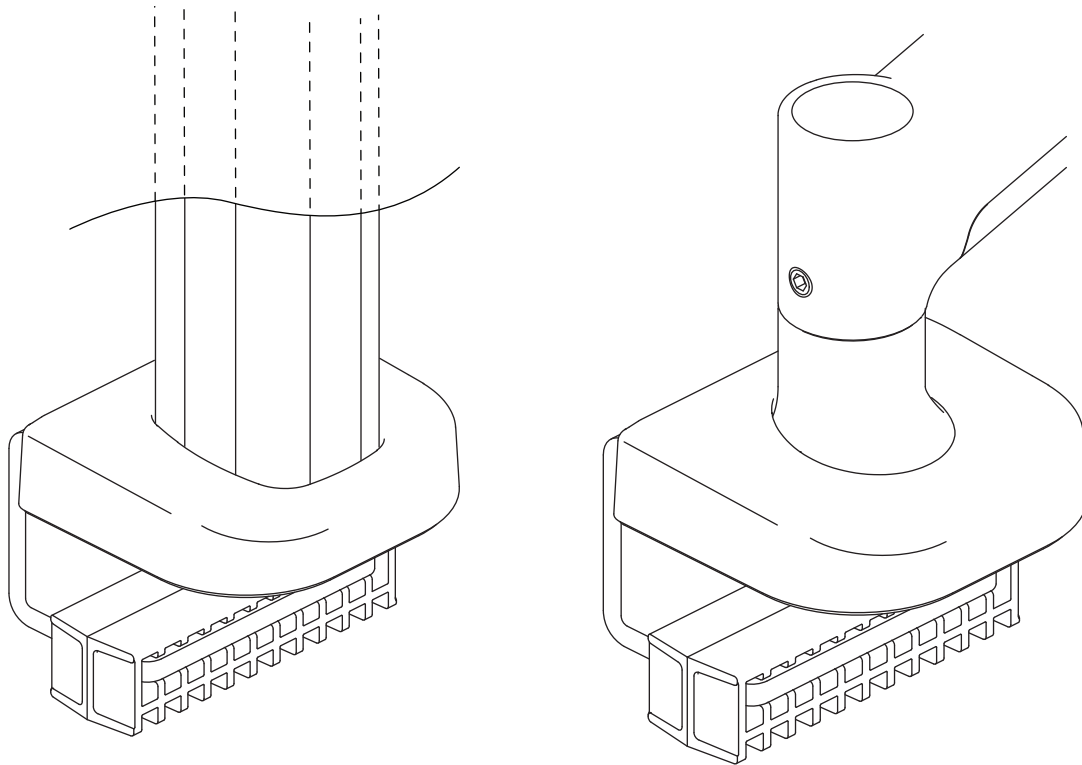


2 x Dynamic Arms on 135 Post with C-Clamp

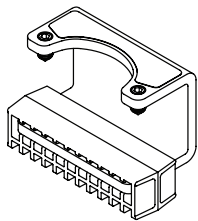


COMPONENT CHECKLIST				RANGE
				 <p>Desk</p>
A AWM-LC Post Clamp (x1)	B AWM-AD Dynamic Arm (x2)	C AWM-P13 135 Post (x1)	D AWM-FC C-Clamp (x1)	

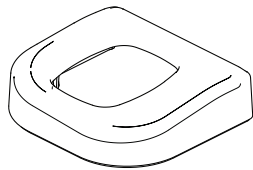
CONTENTS	
C-Clamp Page 2 Page 3	AWM-FC Component Checklist Clamp Installation
135 Post Page 6 Page 7	AWM-P13 Component Checklist Post Installation
Post Clamp Page 8 Page 9	AWM-LC Component Checklist Post Clamp Installation
Dynamic Arm Page 10 Page 11 Page 12 Page 13	AWM-AD Component Checklist Arm Installation Monitor Installation Cable Management



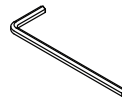
COMPONENT CHECKLIST



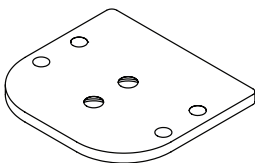
A
C Clamp Bracket
(x1)



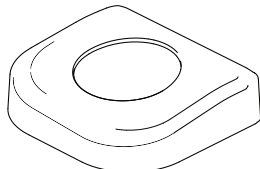
C
Cover for Post
(x1)



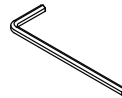
E
4mm Allen key
(x1)



B
C Clamp Plate
(x1)



D
Cover for Base
(x1)



F
5mm Allen key
(x1)

REQUIRED TOOLS

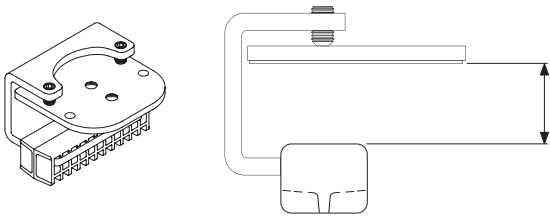
- All tools supplied

IMPORTANT INFORMATION

- ! Please ensure this product is installed as per these installation instructions.
- ! This product is compatible with Atdec modular (AWM) products.
- ! The manufacturer accepts no responsibility for incorrect installation.

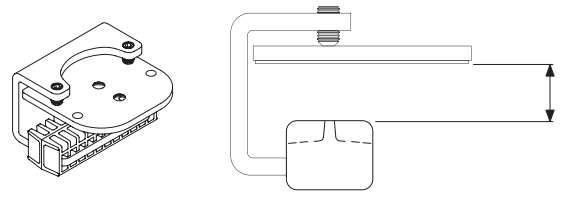
1. C Clamp overview

1.1 Default - This is the "out of the box" configuration



MIN THICKNESS - 25mm (1")
MAX THICKNESS - 33mm (1⁵/₁₆")

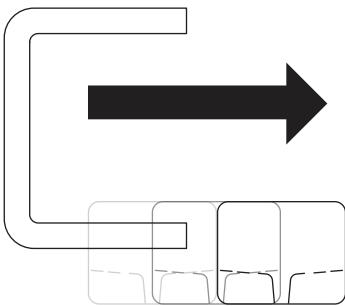
1.2 Inverted - The C Clamp can be reconfigured for thicker surfaces



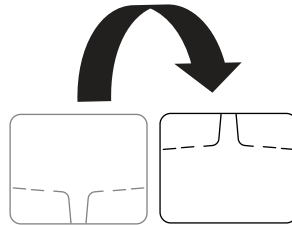
MIN THICKNESS - 18mm (1¹/₁₆")
MAX THICKNESS - 25.8mm (1")

2. Re-configure Clamp

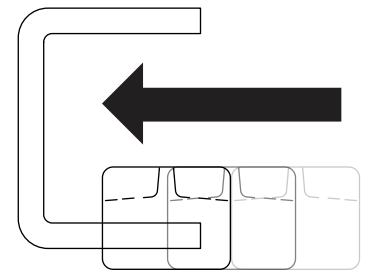
2.1 Slide pad off



2.3 Invert pad

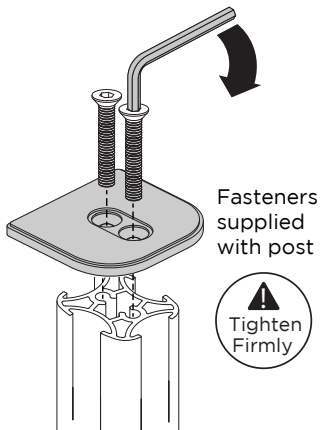


2.3 Slide pad back on

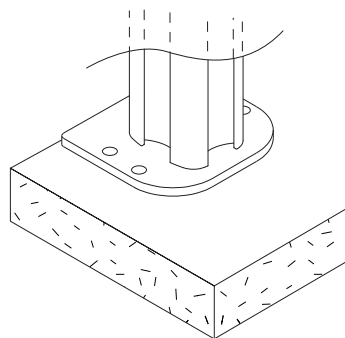


3. Post mount configuration

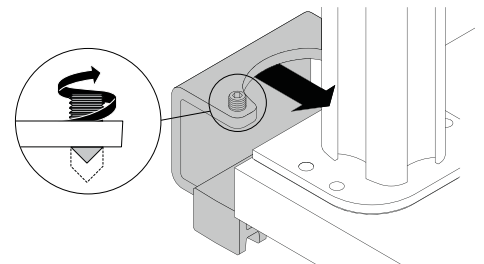
3.1 Attach plate to post



3.2 Place in desired location

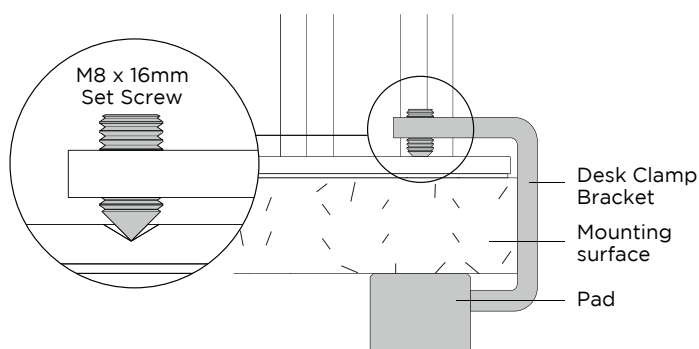


3.3 Slide the C Clamp bracket over the plate and position screw tips in the indents on the base plate

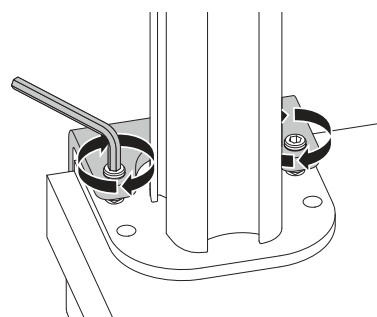


Note: You may need to un-screw the set screws out of the plate using the allen key

3.4 Check the set screws are mounted in position. Also check the desk clamp bracket is positioned tight up against the mounting surface edge

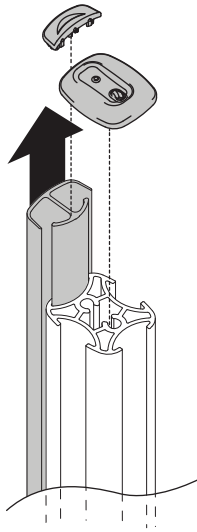


3.5 Tighten the set screws **firmly** and **evenly** on both sides of the desk clamp bracket.

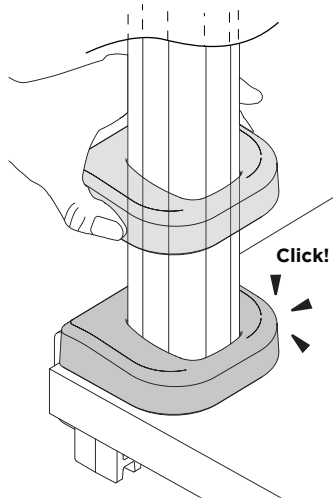


4. Installing the clamp cover to post

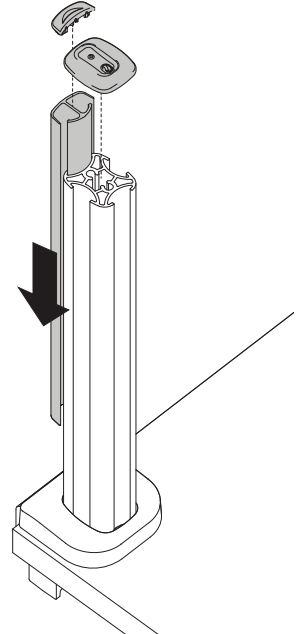
4.1 Remove the cable cover by pulling it straight up and out of the post. Remove top cap if already installed



4.2 Locate the C Clamp cover over the post. Guide over the holes in the base plate and gently apply pressure on the cover until it clicks into place

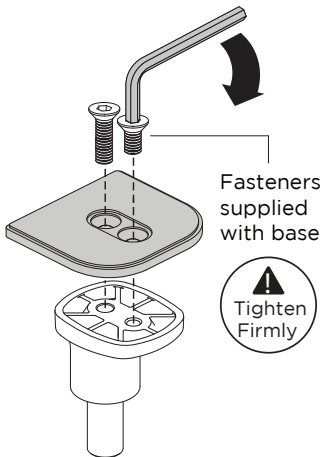


4.3 Re-attach the cable cover by sliding it into the post channel. Fit the pole and cover caps back on.

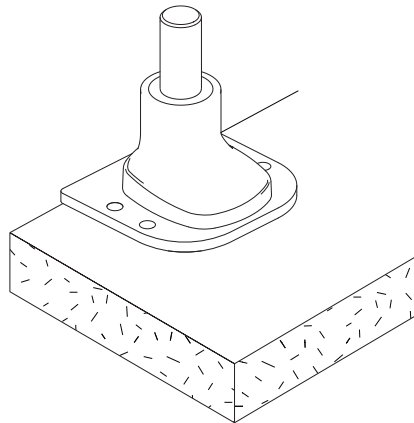


5. Base mount installation

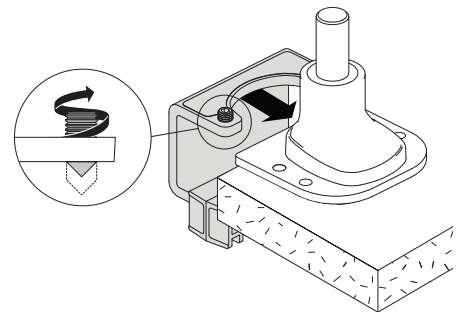
5.1 Attach plate to base



5.2 Place the base and plate in desired location

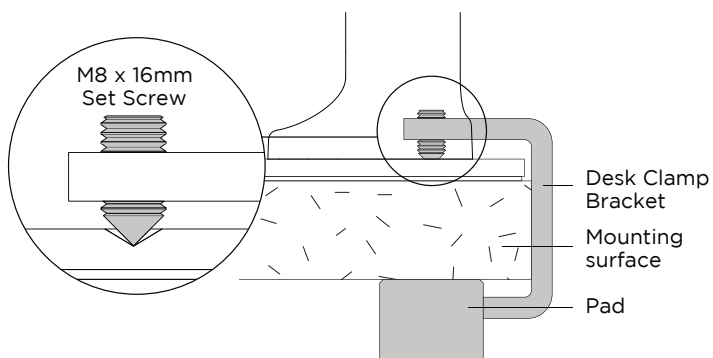


5.3 Slide the bracket onto the base plate and position screw tips in the indents on the base plate

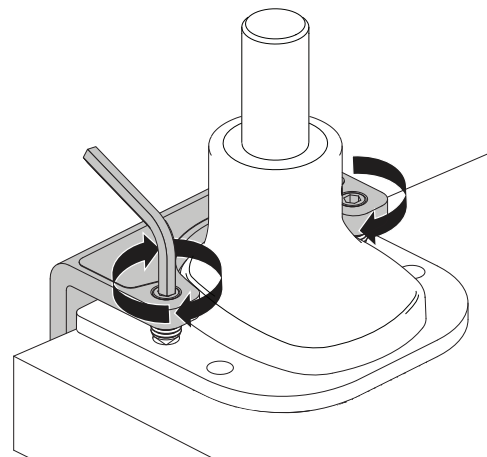


Note: You may need to un-screw the set screws out of the plate using the allen key

5.4 Check the set screws are mounted in position. Also check the desk clamp bracket is positioned tight up against the mounting surface edge

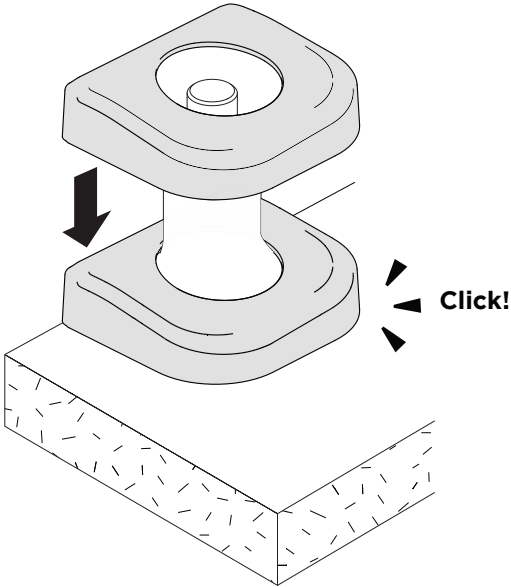


5.5 Tighten the set screws **firmly** and **evenly** on both sides of the desk clamp bracket



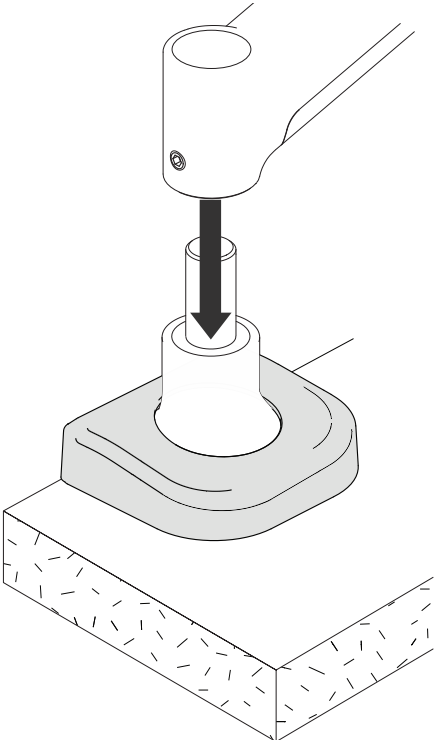
6. Installing the clamp cover to base

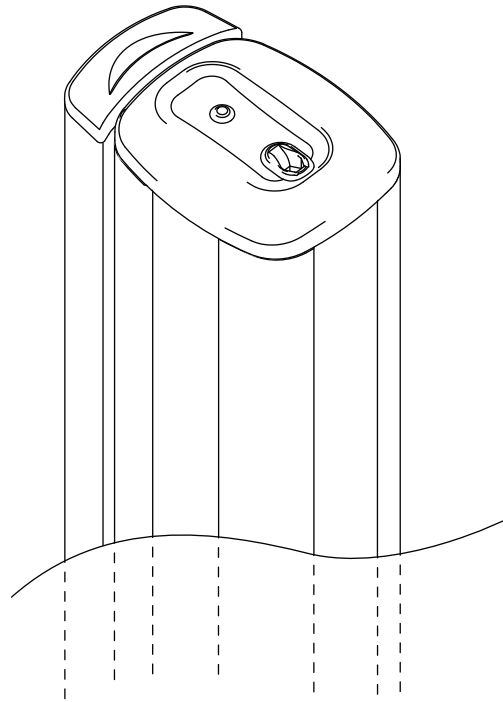
6.1 Locate the Cover for Base over the base. Guide over the holes in the base plate and gently apply pressure on the cover until it clicks into place.



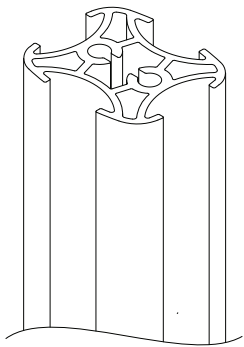
6.2 Installation Complete

To continue with installation of your monitor arm, refer to your monitor arm's installation guide.

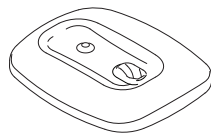




COMPONENT CHECKLIST



A
Post
(x1)



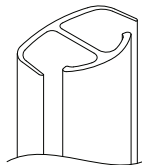
B
Post Cap
(x1)



C
Screw M8
(x2)



D
Cable Cover Cap
(x1)
(not supplied
with all posts)



E
Cable Cover
(x1)
(not supplied
with all posts)



F
Cable clips
(not supplied
with all posts)

Desk 

REQUIRED TOOLS

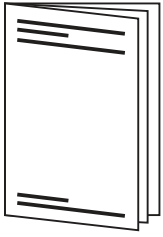
- All tools provided

IMPORTANT INFORMATION

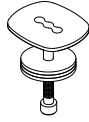
- ! Please ensure this product is installed as per these installation instructions.
- ! This product is compatible with Atdec AWM Series products.
- ! The manufacturer accepts no responsibility for incorrect installation.

1. Attach Post to fixing (fixing sold separately)

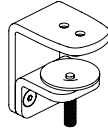
1.1 Follow the installation guide provided with your fixing to attach it to the post and fit it to the worksurface.



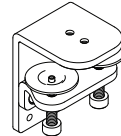
AWM Fixing options



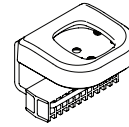
Bolt Through Kit
AWM-FB



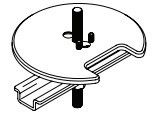
F Clamp
AWM-FF



Heavy Duty F Clamp
AWM-FH



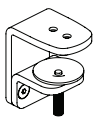
C Clamp
AWM-FC



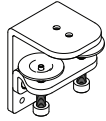
Grommet Clamp
AC-GC

2. Check post placement & arm positions

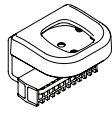
2.1 Do not mount a monitor arm on the rear channel of a post when the post is fixed to the desk using an F Clamp, Heavy Duty F Clamp, or C Clamp.



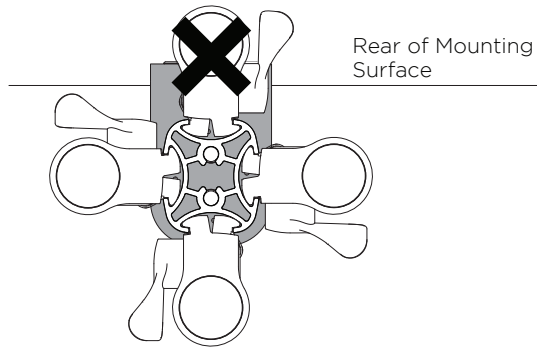
F Clamp
AWM-FF



Heavy Duty F Clamp
AWM-FH

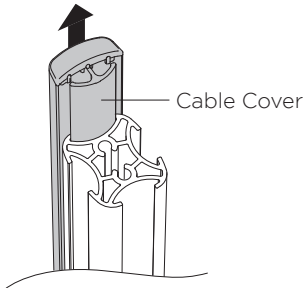


C Clamp
AWM-FC



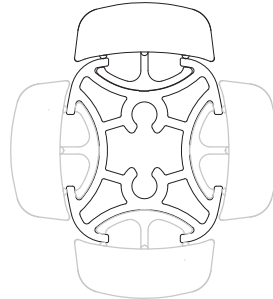
3. Cable cover position and post cap

3.1 To reposition the cable cover, pull it straight up and out of the post and insert it into any of the available channels

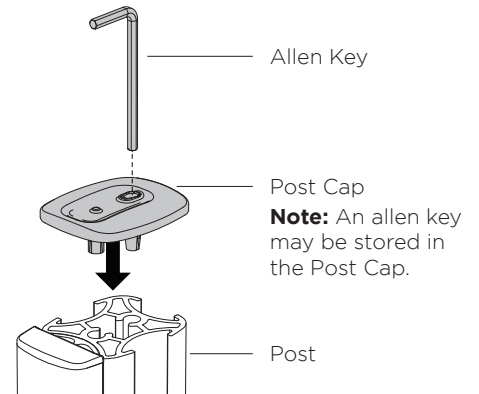


Note: The cable cover shown does not come with all posts

3.2 Optional cable cover positions

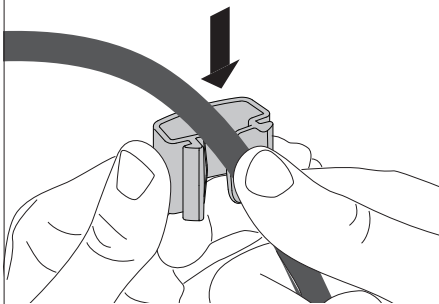


3.3 Fit post cap onto the top of the post



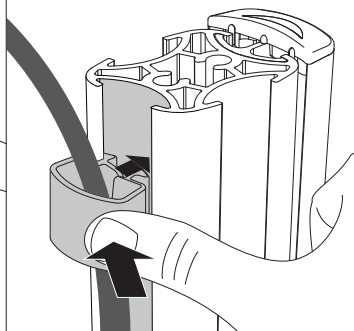
4. Cable clips and cover

4.1 Push the cable down into the cable clip.

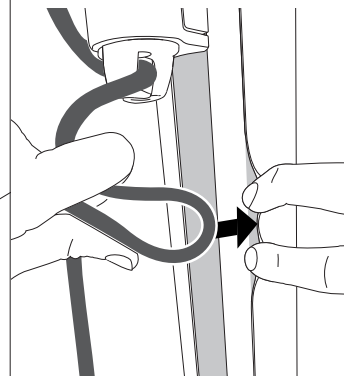


Note: Cable clips do not come with all posts. Additional clips sold separately.

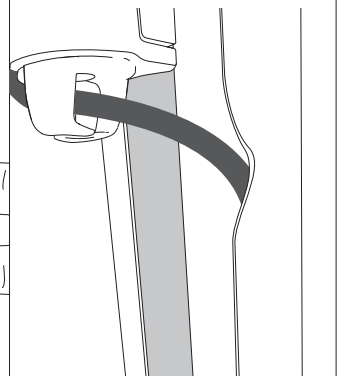
4.2 Insert one side of the cable clip into the channel on the post assembly, then push in the other side.

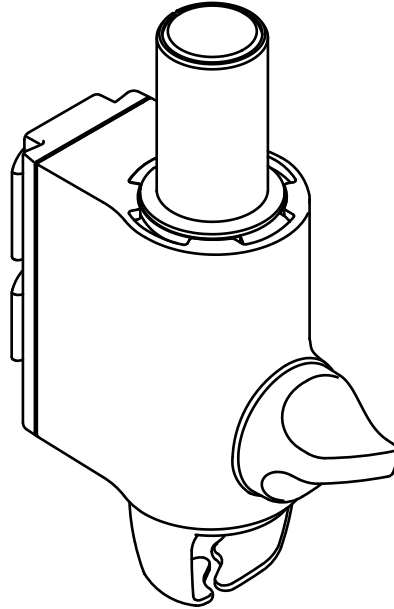


4.3 Loop cable and insert into cable cover.

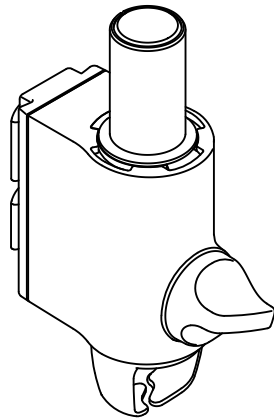


4.4 Feed remaining cable into the cover.





COMPONENT CHECKLIST



A
Post Clamp
(x1)

Desk 

Wall 

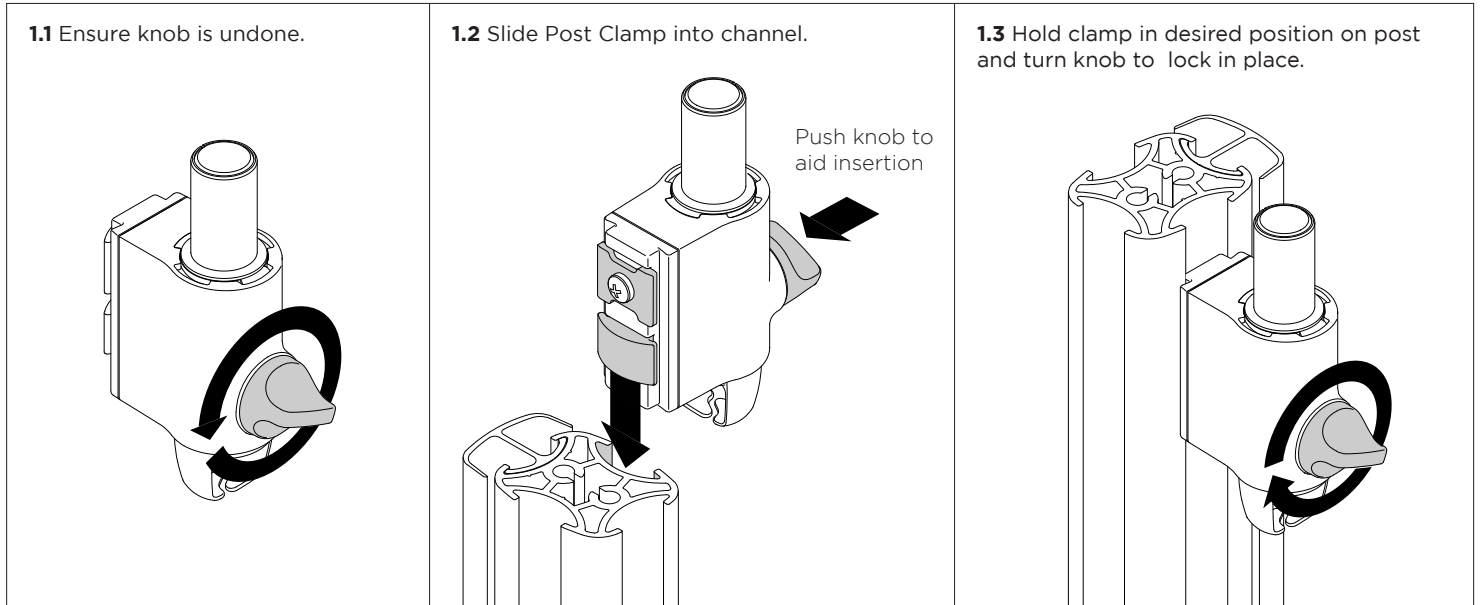
REQUIRED TOOLS

- All tools provided

IMPORTANT INFORMATION

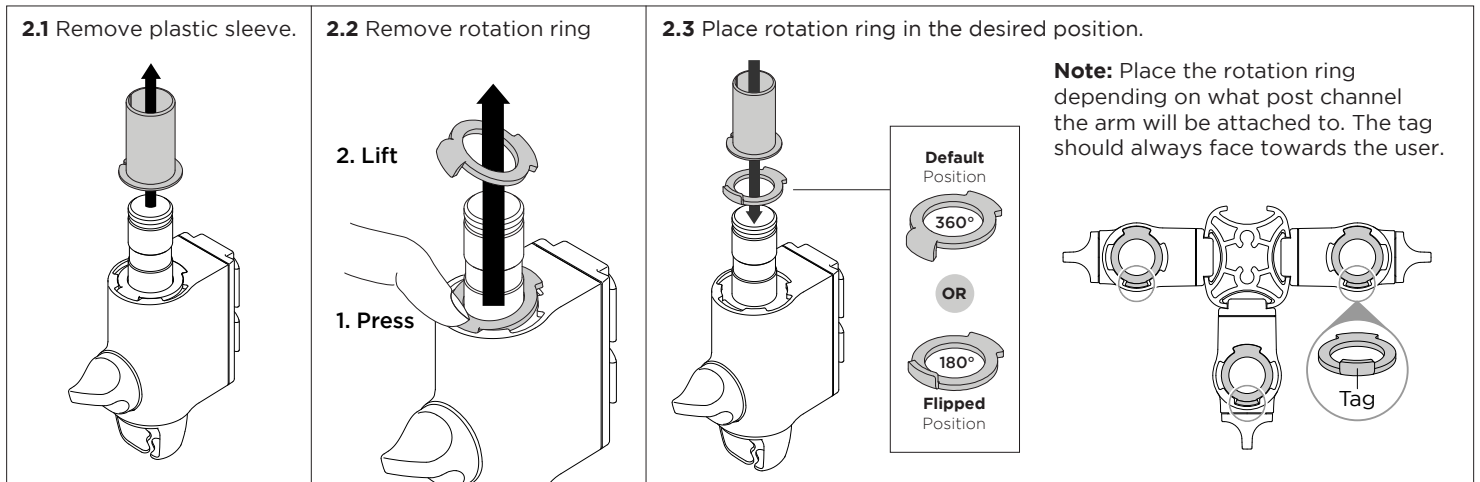
- ! Please ensure this product is installed as per these installation instructions.
- ! This product is compatible with AWM Series Arms, Posts and Wall Channels.
- ! The manufacturer accepts no responsibility for incorrect installation.

1. Fix Clamp to Post or Wall Channel

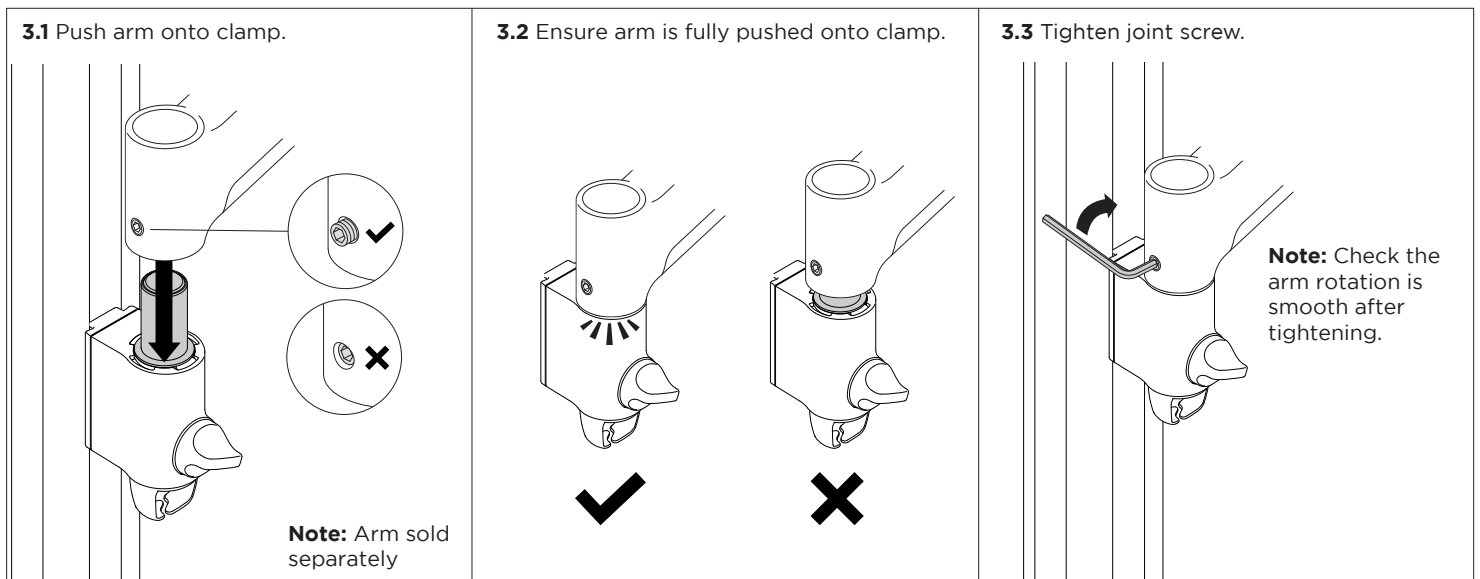


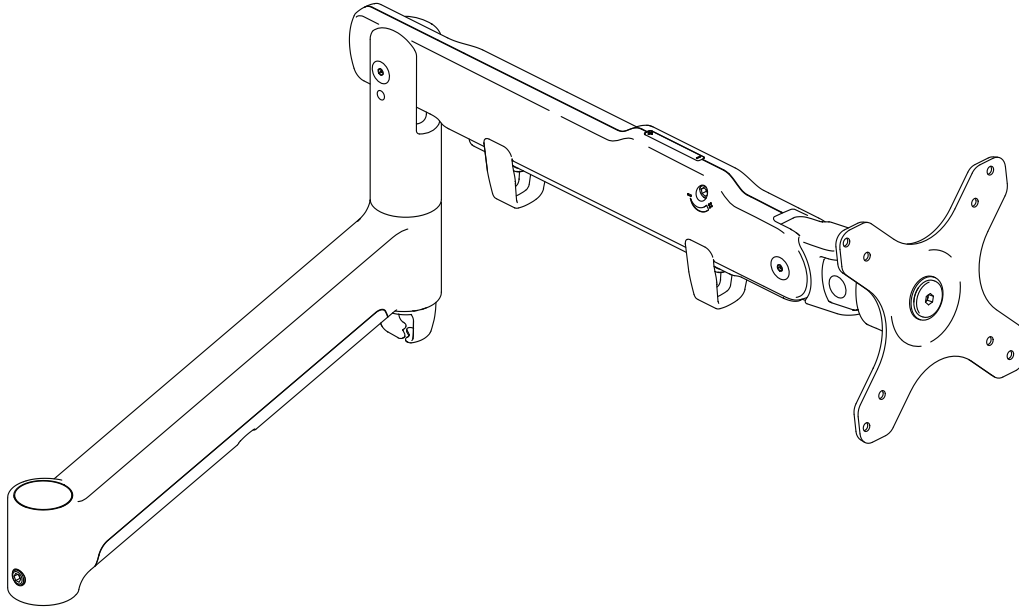
2. Set arm rotation to 180° (optional)

Note: default arm rotation is set to rotate 360°

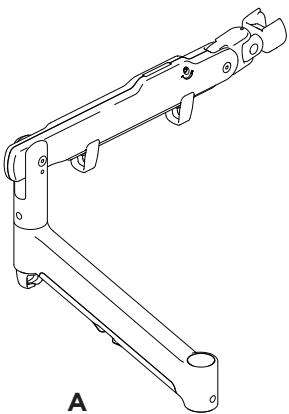


3. Fit AWM Series arm to Post Clamp

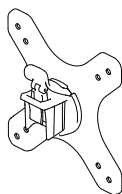




COMPONENT CHECKLIST



A
Dynamic
Monitor Arm
(x1)



B
VESA
Head
(x1)



C
Screw
M4x25mm
(x4)



D
Screw
M4x16mm
(x4)



E
Screw
M4x12mm
(x4)



F
Spacer
(x4)



G
Security
Screw
(x1)



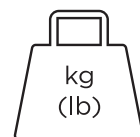
H
4mm
Allen Key
(x1)

Desk 

REQUIRED TOOLS

- Phillips Head Screwdriver

WEIGHT RANGE

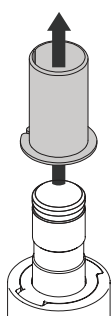
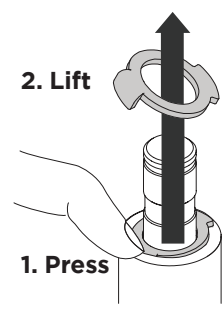
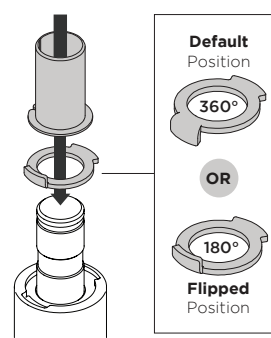
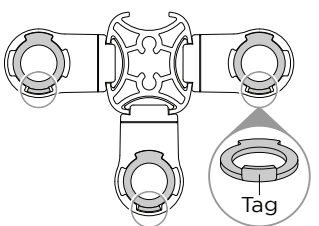


kg
(lb) 0 - 9kg
(0 - 20lbs)

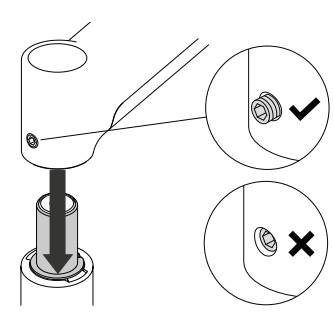
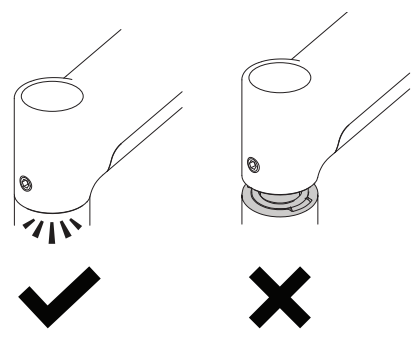
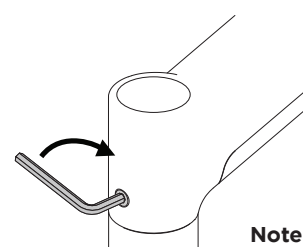
IMPORTANT INFORMATION

- ! Please ensure this product is installed as per these installation instructions.
- ! This product is compatible with Atdec AWM Series products.
- ! The Dynamic Arm (AWM-AD) requires a Channel Clamp (AWM-LC, sold separately) for installation on an AWM Post.
- ! The Dynamic Arm (AWM-AD) requires a Desk Base (AWM-LB, sold separately) for installation directly onto an AWM fixing.
- ! The manufacturer accepts no responsibility for incorrect installation.

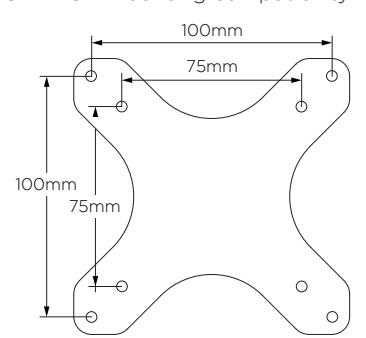
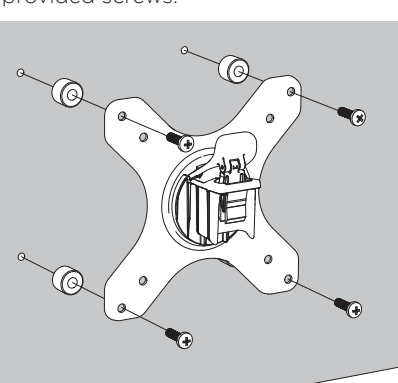
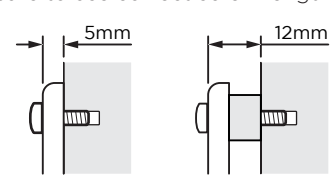
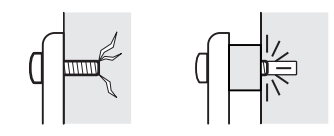
1. Set arm rotation to 180° (optional)

<p>1.1 On the Base or Channel Clamp (sold separately) Remove plastic sleeve.</p> 	<p>1.2 Remove rotation ring.</p> <p>2. Lift</p> <p>1. Press</p> 	<p>1.3 Place rotation ring in the desired position.</p>  <p>Default Position 360°</p> <p>OR</p> <p>Flipped Position 180°</p>	<p>Channel Clamp Ring Position When setting channel clamp rotation, orientate the ring depending on what post channel the arm will be attached to. The tag on the ring should always face towards the user.</p>  <p>Tag</p>
---	--	--	---

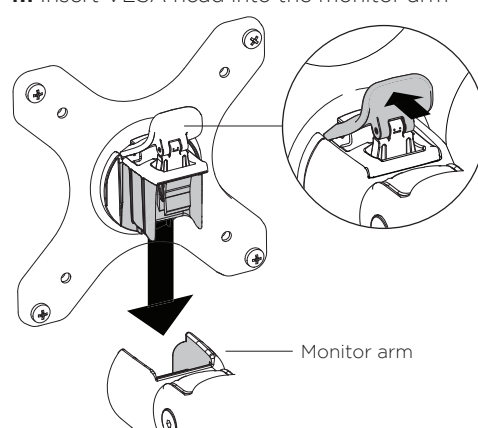
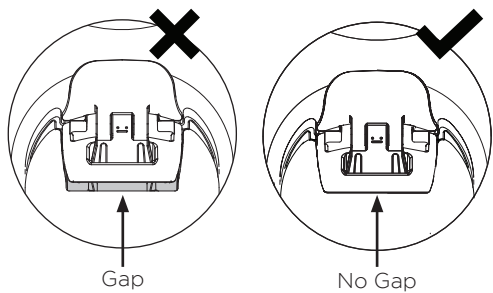
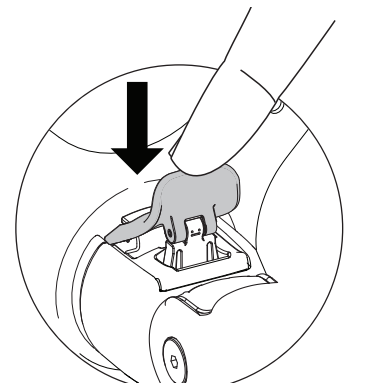
2. Fit arm onto Base or Channel Clamp (sold separately)

<p>2.1 Push arm onto shaft.</p> 	<p>2.2 Ensure arm is fully pushed onto shaft.</p> 	<p>2.3 Tighten joint screw.</p>  <p>Note: Check the arm rotation is smooth after tightening.</p>
---	--	---

3. Attach VESA head to monitor

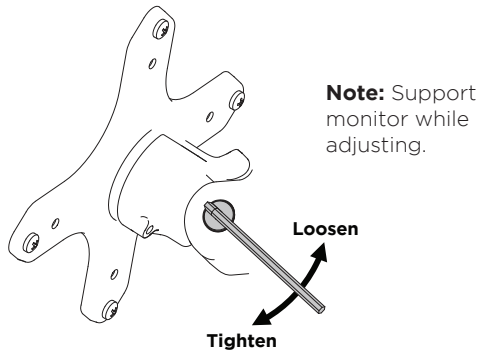
<p>3.1 VESA mounting compatibility</p>  <p>Note: For other sizes, use a suitable adaptor plate (sold separately).</p>	<p>3.2 Attach VESA head onto monitor with provided screws.</p>  <p>Note: Spacers may be required for curved, recessed or uneven monitor surfaces.</p>	<p>3.3 Be sure to use correct screw length</p>  <p>Flush Spacer</p>  <p>Too long Too short</p>
---	--	---

4. Mount monitor on arm

<p>4.1 Insert VESA head into the monitor arm</p>  <p>Monitor arm</p>	<p>4.2 Ensure that the VESA head sits flush within the monitor arm. There should be no gap.</p>  <p>Gap No Gap</p>	<p>4.3 Push the lever down to secure it to the arm assembly</p> 
---	---	--

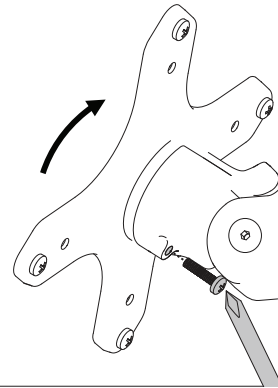
5. Adjust tilt tension & install security screw

5.1 Use the allen key to adjust the tilt tension until the monitor holds in a vertical position at the end of the arm.



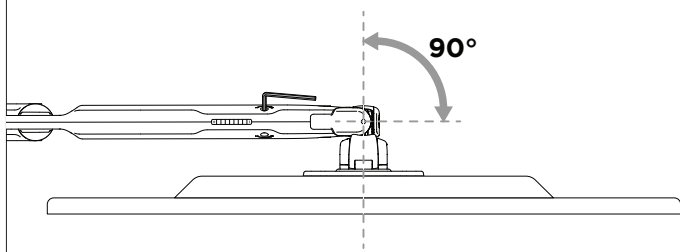
5.2 OPTIONAL security screw

Tilt the head upwards to install the optional security screw.

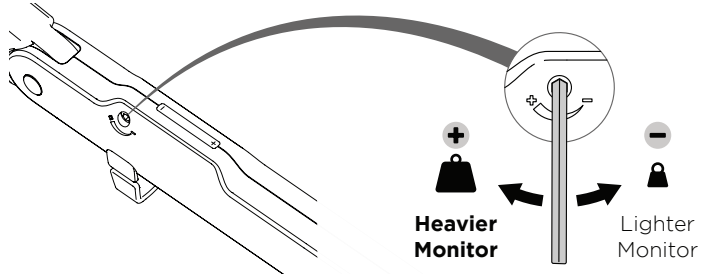


6. Adjust arm tension

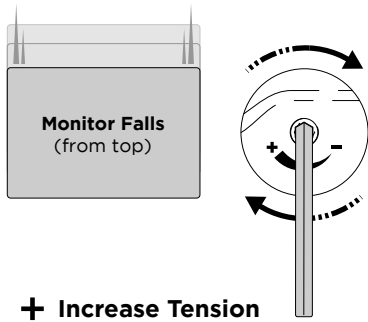
6.1 To accurately set the tension of the arm, position the monitor at 90 degrees



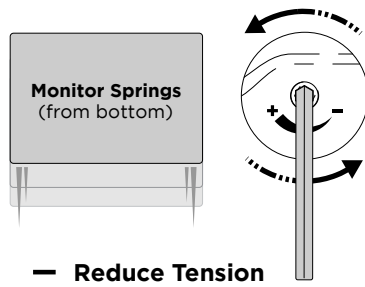
6.2 Use the allen key to adjust the arm tension to the weight of the monitor. Follow steps **6.3** to **6.5** to set the tension.



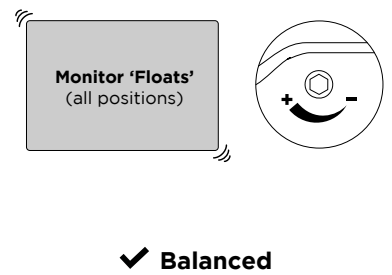
6.3 If the monitor sags or falls down, increase the arm tension by rotating the screw clockwise.



6.4 If the monitor springs upwards from the bottom position, decrease the arm tension by rotating the screw anti-clockwise.

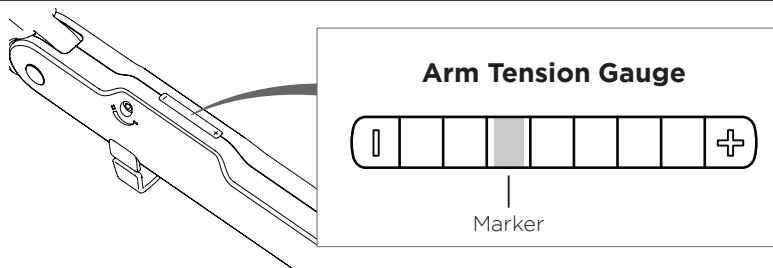


6.5 If the monitor floats or hovers in all positions the arm tension is balanced and does not require further adjustment.



7. Tension gauge

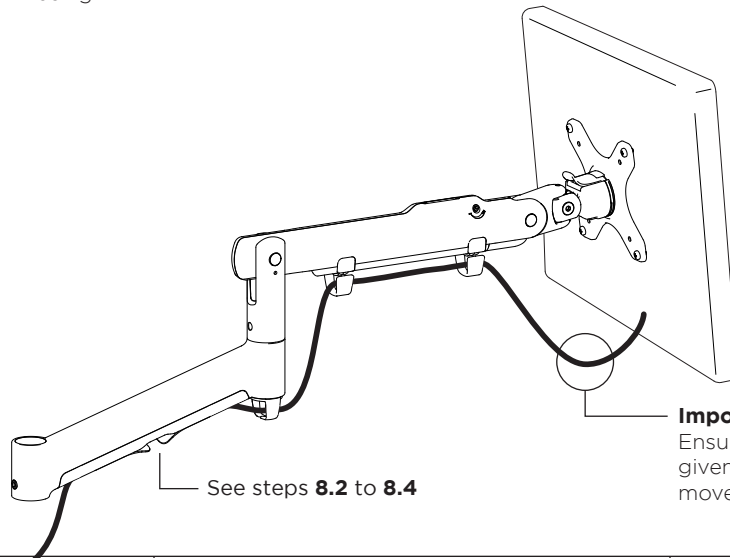
7.1 When installing multiple monitors of a similar weight, use the tension gauge to make installation faster.



1. Set up one monitor and record the position of the marker on the gauge.
2. When installing subsequent monitors, pre-tension the arm to the recorded amount, then fine-tune the tension by following steps **6.3** to **6.5**.

8. Cable management

8.1 Plug cables into the monitor and route the cables down the arm using the cable hooks and clips.

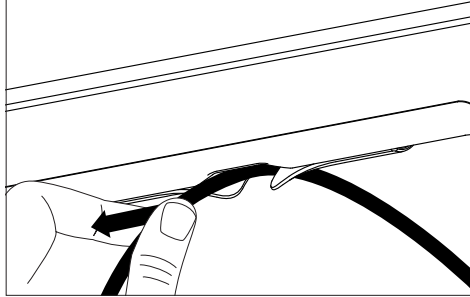


See steps **8.2** to **8.4**

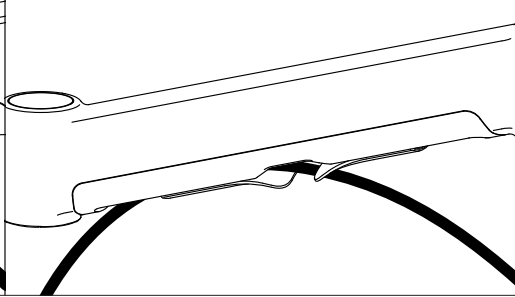
Important!

Ensure enough cable slack is given in this area to allow for movement of the monitor.

8.2 Wedge cable into the central gap and slide it down the arm.



8.3 The cable should slip into the arm cavity.



8.4 Slide the remaining loose cable from the central gap up the arm.

