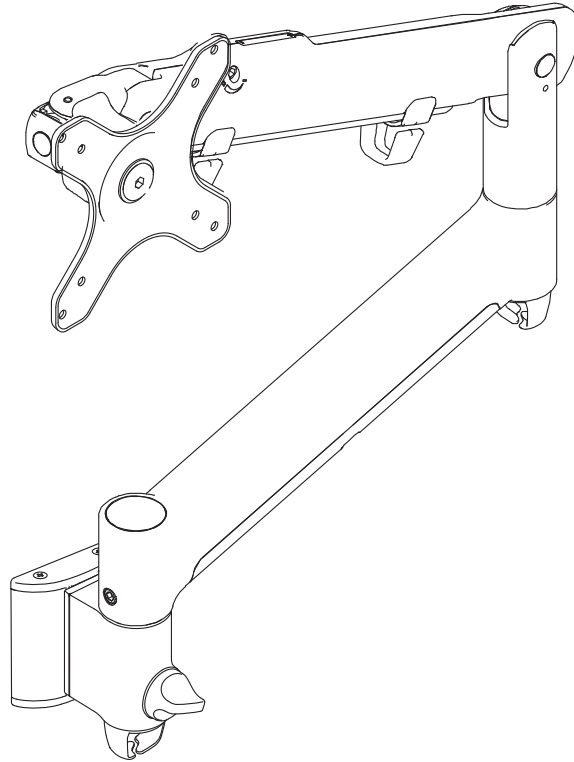


Dynamic Monitor Arm on Wall Mount



FEATURES

- Adjustable counterbalance to suit a wide range of monitors.
- Tension gauge to make installation of multiple arms faster.
- Integrated 180° rotation limiter to prevent interference with the wall.
- Generous cable management guides cables discreetly down the arm to the work surface.

Monitor weight range

Flat monitor

0-9kg (0 - 20lb)*

Curved monitor

0-6kg (0 - 13.5lb)*

Vertical Adjustment

315mm (12.40")

Tilt angle

+45 /- 25°

Monitor rotation

360°

VESA mounting

75x75 | 100x100

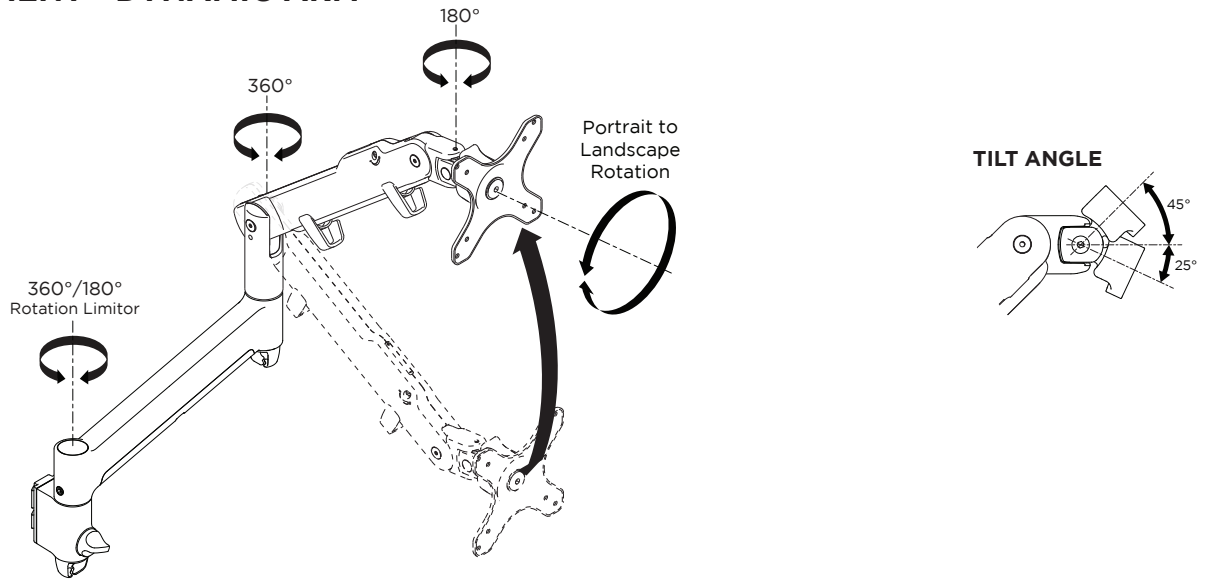
*Monitor weight should be within the weight range of all modular elements that make up the complete monitor mounting solution.

*Curved monitors, deep devices (such as all-in-one PCs) and offset VESA locations exert additional leverage that can exceed the capacity of the mount even though the monitor weight may be within the stated range. Please contact Atdec if you would like further information.

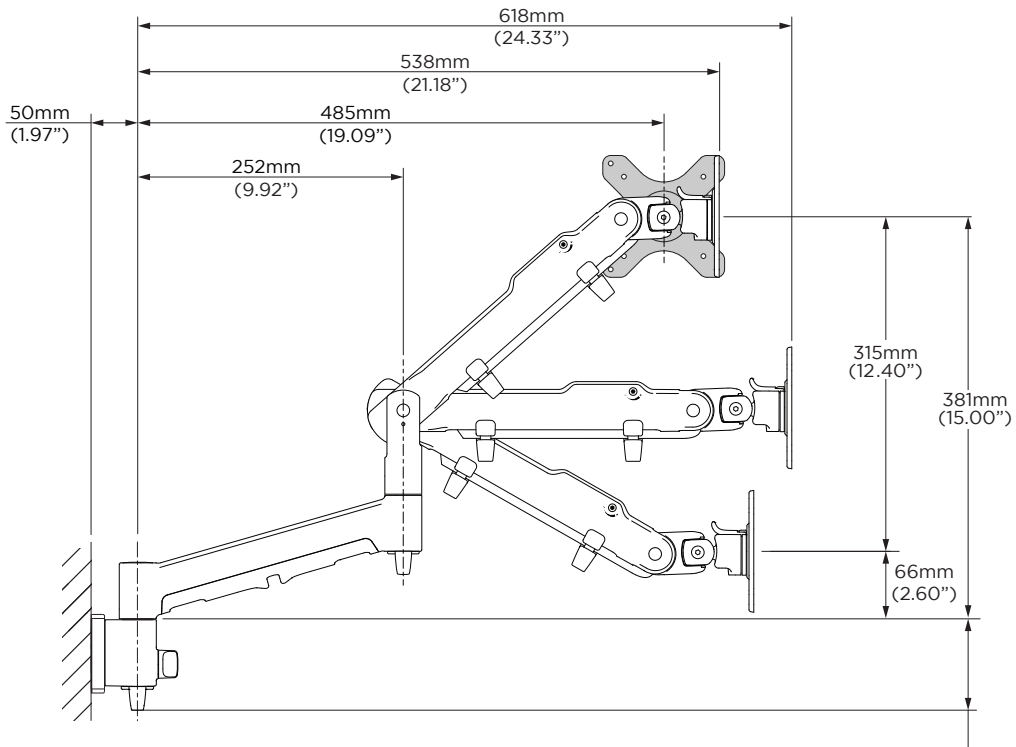
WARRANTY

10 years limited

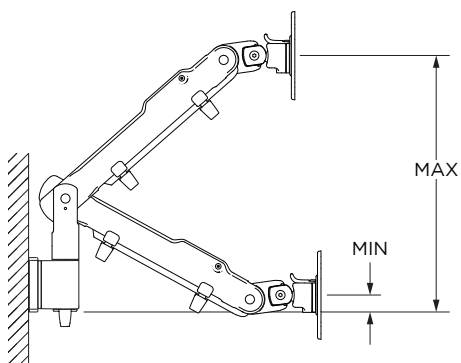
MOVEMENT - DYNAMIC ARM



DIMENSIONS - DYNAMIC ARM ON WALL CHANNEL

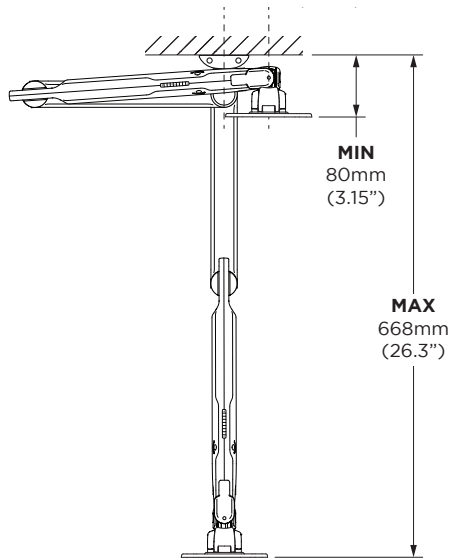


DIMENSIONS - DYNAMIC ARM ON 60 WALL CHANNEL

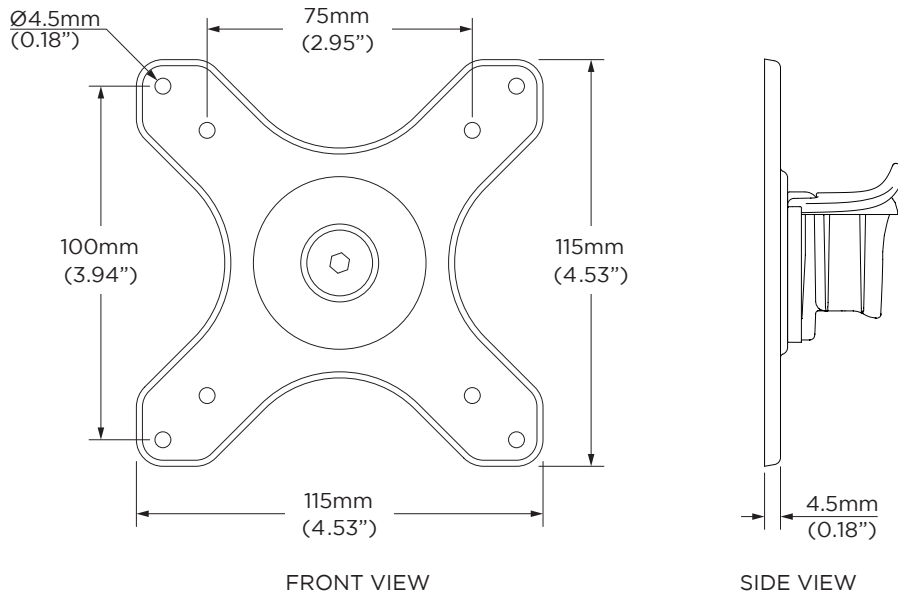


MIN HEIGHT 5mm (0.2")
MAX HEIGHT 320mm (12.6")
RANGE (R) 315mm (12.4")

DIMENSIONS - DYNAMIC ARM ON WALL CHANNEL



DIMENSIONS - VESA HEAD



DIMENSIONS - 60 WALL CHANNEL

