

AWM Modular Components

Index

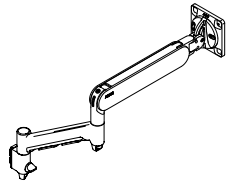
Standard Product System Diagram		Page 2
Heavy-Duty Product System Diagram		Page 3
Heads		
AWM-LTHT	AWM QR HD Tilt Head	Dimensions Page 4
AWM-BT	AWM Tilt Bracket	
Arms		
AWM-A13T	130 Arm	Overview Page 5
AWM-A46T	460 Arm	Dimensions Page 6
AWM-A71T	710 Arm	Height Adjustment on Posts Page 7
		Height Adjustment on Wall Channels Page 8
Dynamic Arms		
AWM-ADTC	AWM Dynamic Arm for Post	Overview Page 9
AWM-AHX	HD Dynamic Arm	Dimensions Page 10
		Height Adjustment on Posts Page 12
		Height Adjustment on Posts & Wall Channels Page 14
Posts		
AWM-P13	135 Post	Dimensions Page 16
AWM-P40G	400 Post	
AWM-P75G	750 Post	
AWM-P40X	AWM Post 40 Stackable	
Heads		
AWM-W6	60 Wall Channel	Dimensions Page 17
AWM-W35	350 Wall Channel	
Arm Fixings		
AWM-LB	Arm Base	Dimensions Page 17
AWM-LC	Channel Clamp	
Heads		
AWM-FB	Bolt Through Kit	Dimensions Page 18
AWM-FC	C Clamp	Dimensions
AWM-FF	F Clamp	Dimensions Page 19
AWM-FH	Heavy Duty F Clamp	Dimensions
AC-GC	Grommet Clamp	Dimensions
AWM-WS	Slat Wall Adaptor	Dimensions Page 20
AWM-W	Single Wall Bracket	
Heads		
AC-MP	Mini PC Mounting Plate	Page 20

STANDARD PRODUCT SYSTEM DIAGRAM

IMPORTANT

- Any mounting surface must be capable of supporting the combined weight of all products, including attached displays and devices.
- Products connected by a line are compatible.

DYNAMIC ARMS

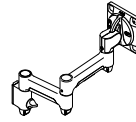


AWM Dynamic Arm for Post
AWM-ADTC

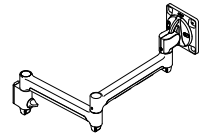
SWING ARMS



130 Arm
AWM-A13T



460 Arm
AWM-A46T

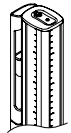


710 Arm
AWM-A71T

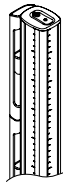
POSTS



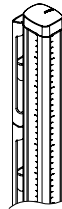
135 Post
AWM-P13



400 Post
AWM-P40G



750 Post
AWM-P75G



P40X Post
AWM-P40X **OR** (2x)
AWM-P40X + AWM-X40
Products sold separately

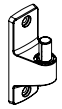
WALL



60 Wall Channel
AWM-W6



350 Wall Channel
AWM-W35



Single Wall Bracket
AWM-W

FIXINGS



Bolt Through Kit
AWM-FB



F Clamp
AWM-FF



C Clamp
AWM-FC



Heavy Duty F Clamp
AWM-FH



Grommet Clamp
AC-GC

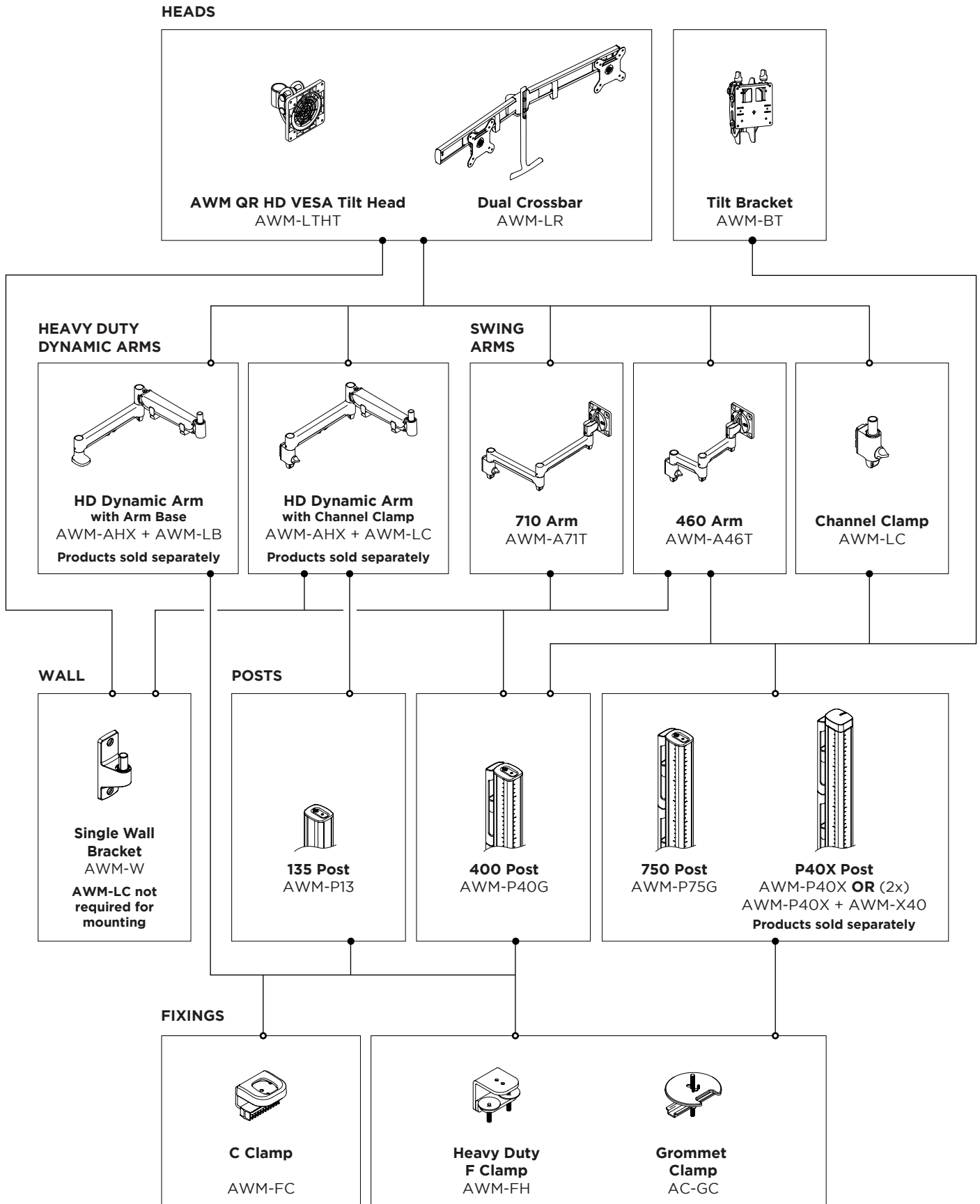


Slat Wall Adaptor
AWM-WS

HEAVY-DUTY PRODUCT SYSTEM DIAGRAM

IMPORTANT

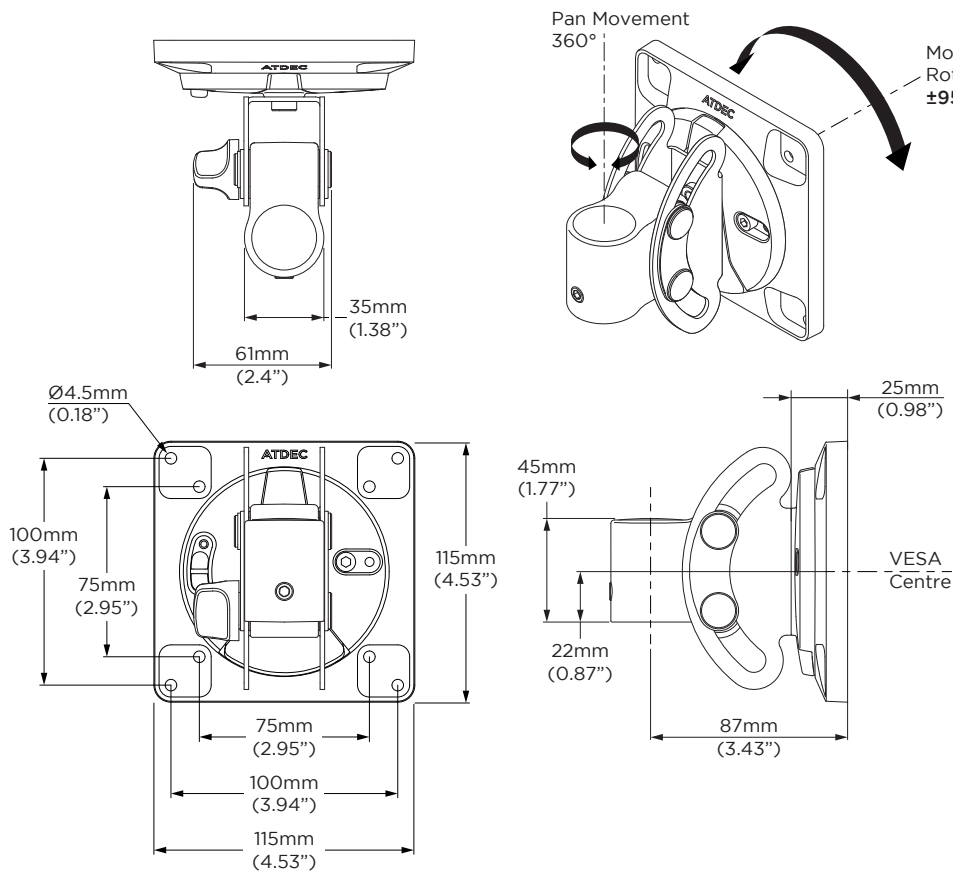
- Any mounting surface must be capable of supporting the combined weight of all products, including attached displays and devices.
- Products connected by a line are compatible.



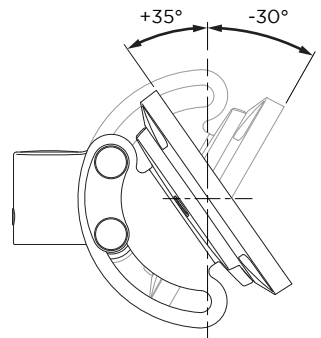
HEADS

AWM QR HD VESA Tilt Head AWM-LTHT

Dimensions



Tilt Angle



CAPACITY

Flat Monitors
0-18kg (0-40lb)

Curved Monitors
0-12kg (0-26.5lb)

Monitor weight should be within the weight range of all modular elements that make up the complete monitor mounting solution.

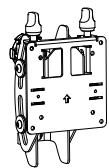
Warranty

10 years limited

AWM Tilt Bracket AWM-BT

IMPORTANT

- Maximum flat display weight load 25kg (55 lbs).
- Maximum curved display weight load 18kg (40 lbs).
- Monitor weight should be within the weight range of all modular elements that make up the complete monitor mounting solution.
- 10 years limited warranty.
- For further details refer to the Tilt Bracket AWM-BT Technical Specifications document.

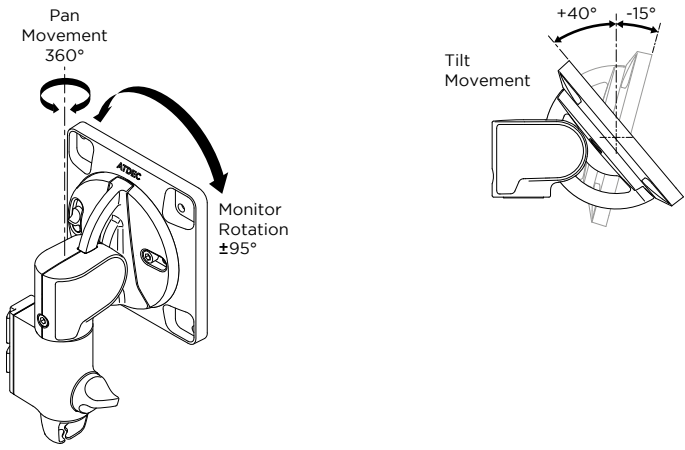


ARMS OVERVIEW

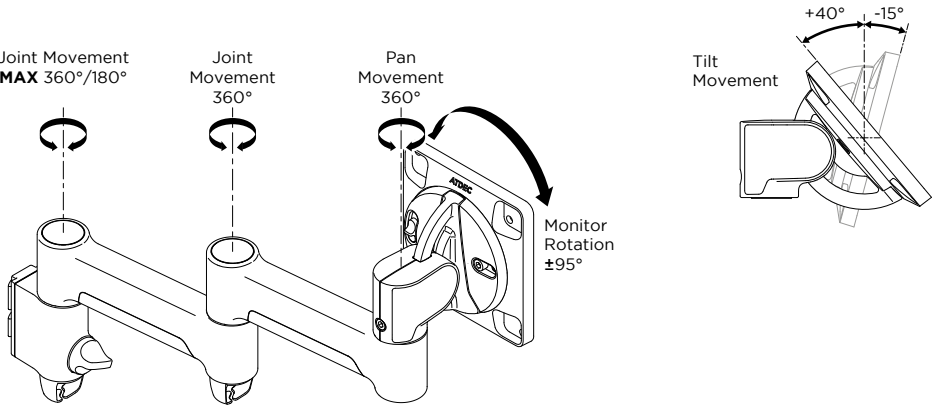
IMPORTANT

- AWM-A46T and AWM-A71T include a 180° rotation stop feature at the channel clamp pivot, to prevent interference with walls and workstation dividers. This feature can be activated or removed. See arm installation instructions for details.
- Monitor weight should be within the weight range of all modular elements that make up the complete mounting solution.
- Contact Atdec for advice if you have a display/device that exceeds 140mm in overall depth.

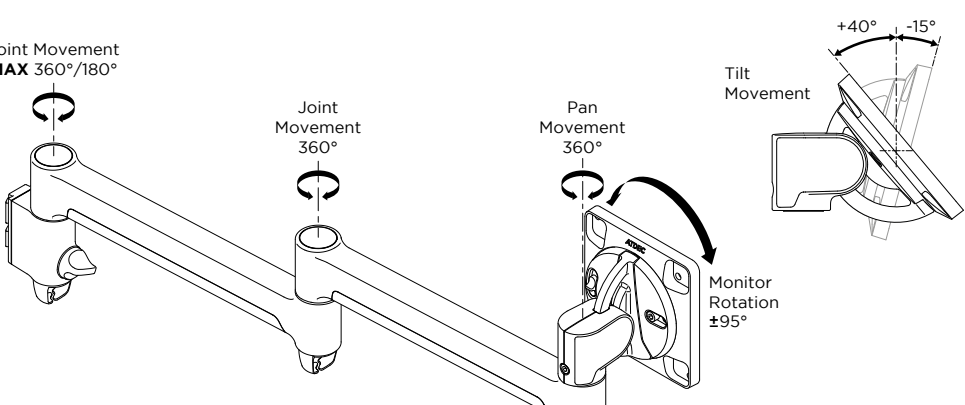
130 Arm AWM-A13T

 <p>Pan Movement 360°</p> <p>Monitor Rotation ±95°</p> <p>Tilt Movement +40° -15°</p>	<p>CAPACITY</p> <p>Flat Monitors 0-12kg (0-26.5lb)</p> <p>Curved Monitors 0-10kg (0-22lb)</p> <p>Curved monitors with an overall depth up to 140mm (5.5")</p> <p>Monitor weight should be within the weight range of all modular elements that make up the complete monitor mounting solution.</p> <p>Warranty 10 years limited</p>
---	---

460 Arm AWM-A46T

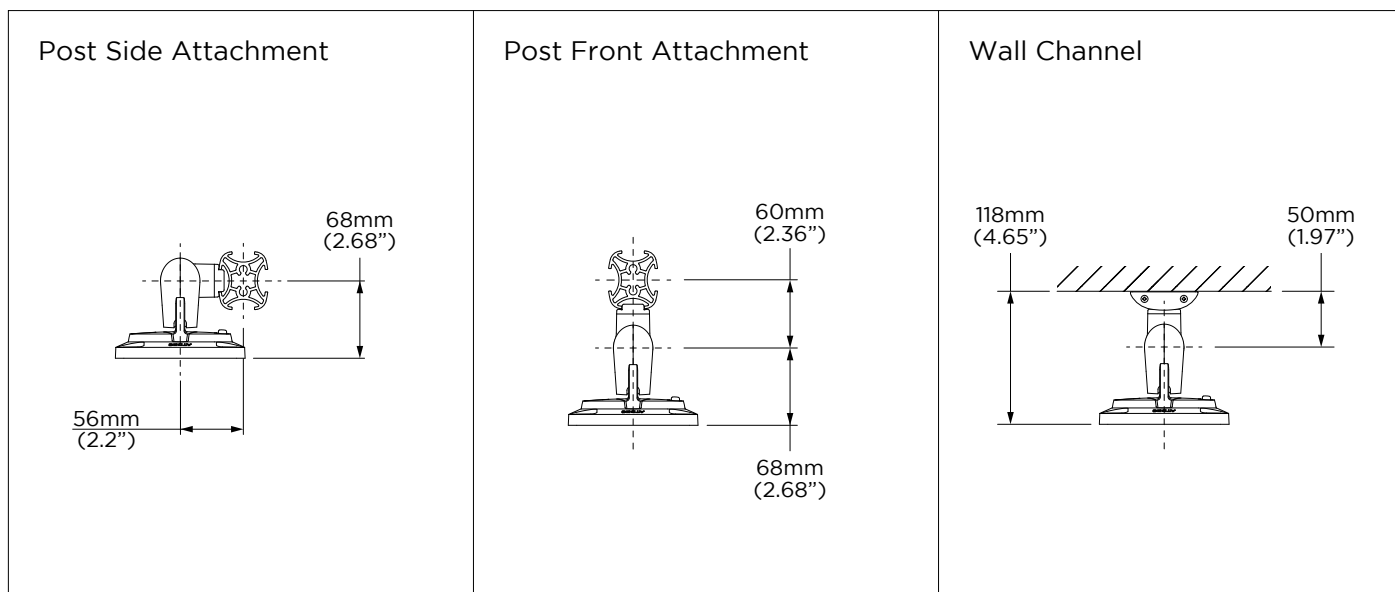
 <p>Joint Movement MAX 360°/180°</p> <p>Joint Movement 360°</p> <p>Pan Movement 360°</p> <p>Monitor Rotation ±95°</p> <p>Tilt Movement +40° -15°</p>	<p>CAPACITY</p> <p>Flat Monitors 0-12kg (0-26.5lb)</p> <p>Curved Monitors 0-10kg (0-22lb)</p> <p>Curved monitors with an overall depth up to 140mm (5.5")</p> <p>Monitor weight should be within the weight range of all modular elements that make up the complete monitor mounting solution.</p> <p>Warranty 10 years limited</p>
--	---

710 Arm AWM-A71T

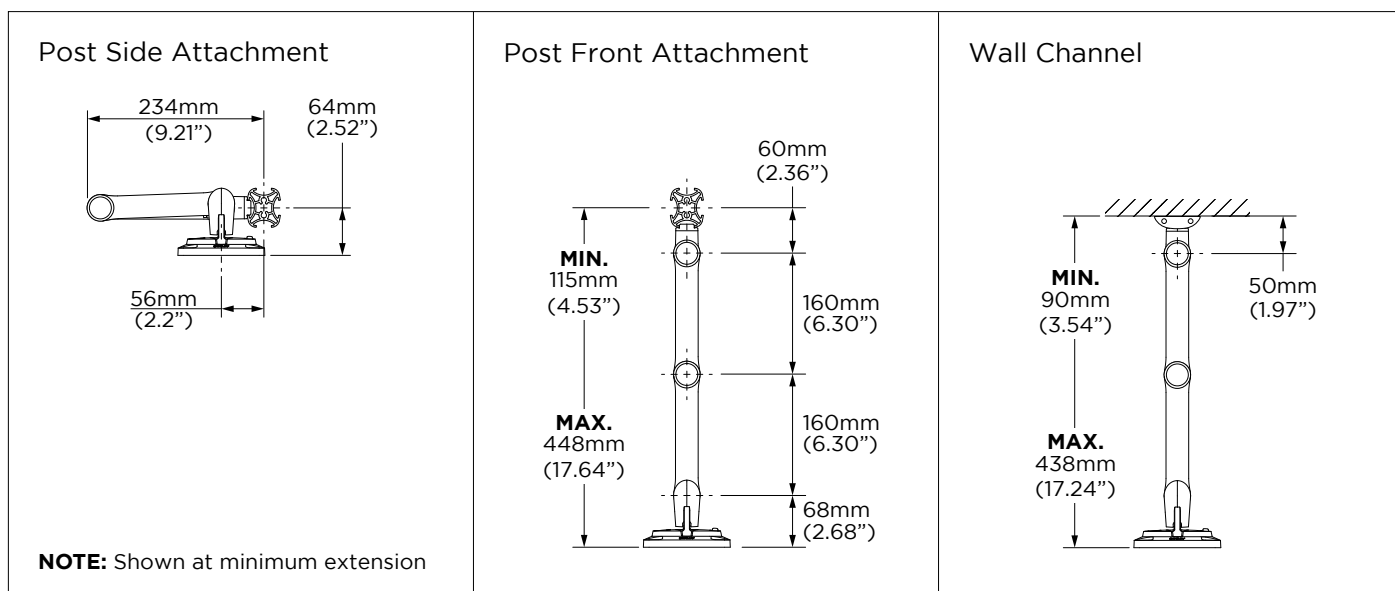
 <p>Joint Movement MAX 360°/180°</p> <p>Joint Movement 360°</p> <p>Pan Movement 360°</p> <p>Monitor Rotation ±95°</p> <p>Tilt Movement +40° -15°</p>	<p>CAPACITY</p> <p>Flat Monitors 0-9kg (0-20lb)</p> <p>Curved Monitors 0-9kg (0-20lb)</p> <p>Curved monitors with an overall depth up to 140mm (5.5")</p> <p>Monitor weight should be within the weight range of all modular elements that make up the complete monitor mounting solution.</p> <p>Warranty 10 years limited</p>
--	---

ARMS DIMENSIONS

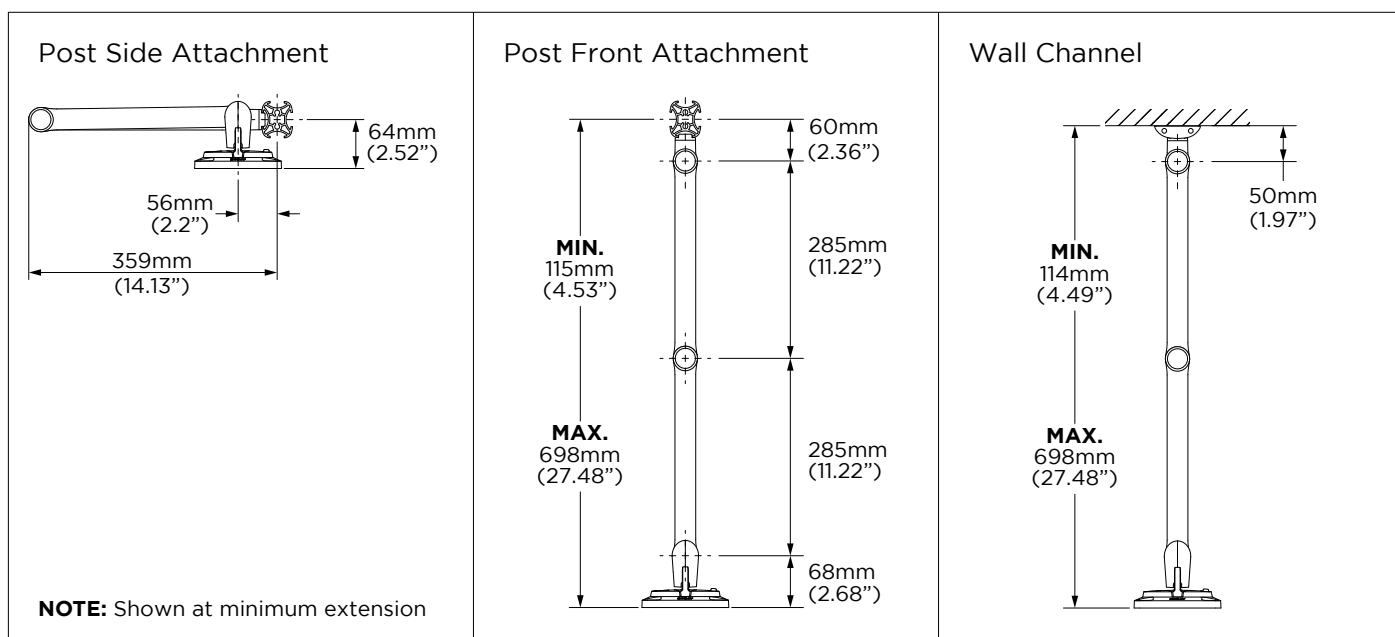
130 Arm AWM-A13T



460 Arm AWM-A46T



710 Arm AWM-A71T

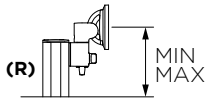
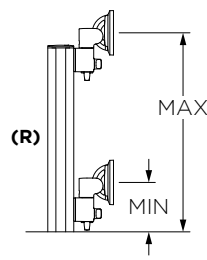
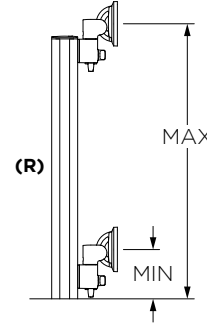


ARMS HEIGHT ADJUSTMENT ON POSTS

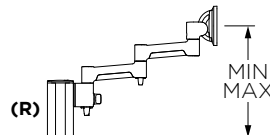
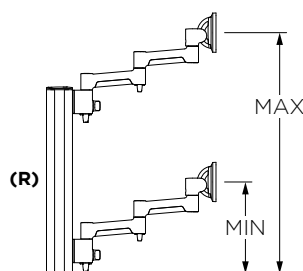
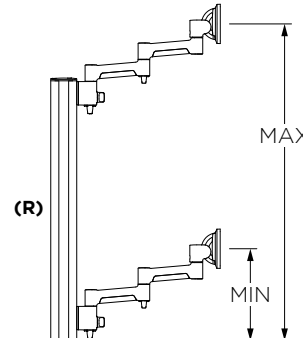
IMPORTANT

- Measurements taken from centre of VESA mount.
- The C Clamp (AWM-FC) increases the minimum height by 26mm (1.02”).

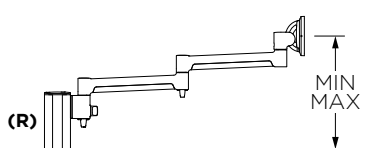
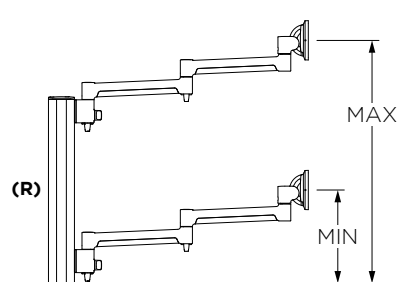
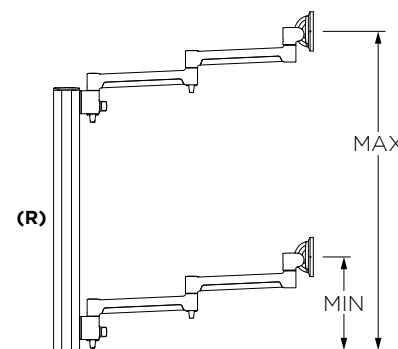
130 Arm AWM-A13T on Post

135 Post AWM-P13	400 Post AWM-P40G	750 Post AWM-P75G
 <p>MIN HEIGHT 122mm (4.80") MAX HEIGHT 175mm (6.89") RANGE (R) 53mm (2.09")</p>	 <p>MIN HEIGHT 122mm (4.80") MAX HEIGHT 440mm (17.32") RANGE (R) 318mm (12.52")</p>	 <p>MIN HEIGHT 122mm (4.80") MAX HEIGHT 790mm (31.10") RANGE (R) 668mm (26.3")</p>

460 Arm AWM-A46T on Post

135 Post AWM-P13	400 Post AWM-P40G	750 Post AWM-P75G
 <p>MIN HEIGHT 245mm (9.65") MAX HEIGHT 298mm (11.73") RANGE (R) 53mm (2.09")</p>	 <p>MIN HEIGHT 245mm (9.65") MAX HEIGHT 563mm (22.17") RANGE (R) 318mm (12.52")</p>	 <p>MIN HEIGHT 245mm (9.65") MAX HEIGHT 913mm (35.94") RANGE (R) 668mm (26.3")</p>

710 Arm AWM-A71T on Post

135 Post AWM-P13	400 Post AWM-P40G	750 Post AWM-P75G
 <p>MIN HEIGHT 242mm (9.53") MAX HEIGHT 295mm (11.61") RANGE (R) 53mm (2.09")</p>	 <p>MIN HEIGHT 242mm (9.53") MAX HEIGHT 560mm (22.05") RANGE (R) 318mm (12.52")</p>	 <p>MIN HEIGHT 242mm (9.53") MAX HEIGHT 910mm (35.83") RANGE (R) 668mm (26.3")</p>

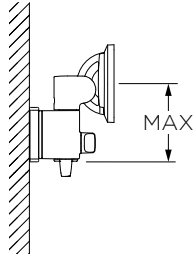
ARMS HEIGHT ADJUSTMENT ON WALL CHANNELS

IMPORTANT

- Measurements taken from bottom of wall channel to centre of VESA mount.

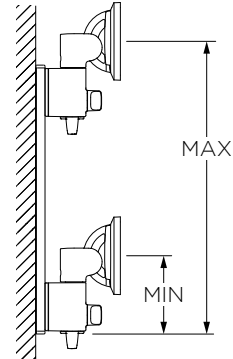
130 Arm AWM-A13T on Wall Channel

60 Wall Channel AWM-W6



FIXED HEIGHT 104mm (4.09")

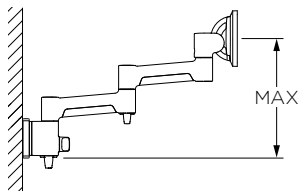
350 Wall Channel AWM-W35



MIN HEIGHT 104mm (4.09")
MAX HEIGHT 394mm (15.51")
RANGE (R) 290mm (11.42")

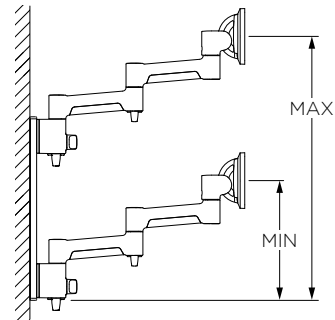
460 Arm AWM-A46T on Wall Channel

60 Wall Channel AWM-W6



FIXED HEIGHT 236mm (9.29")

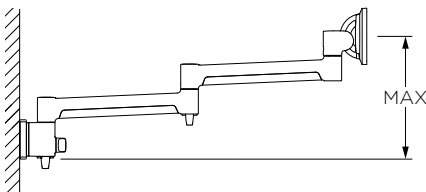
350 Wall Channel AWM-W35



MIN HEIGHT 236mm (9.29")
MAX HEIGHT 526mm (20.71")
RANGE (R) 290mm (11.42")

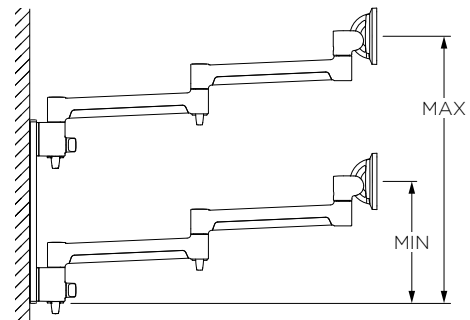
710 Arm AWM-A71T on Wall Channel

60 Wall Channel AWM-W6



FIXED HEIGHT 233mm (9.17")

350 Wall Channel AWM-W35



MIN HEIGHT 233mm (9.17")
MAX HEIGHT 523mm (20.59")
RANGE (R) 290mm (11.42")

DYNAMIC ARMS OVERVIEW

AWM Dynamic Arm for Post AWM-ADTC - Movement

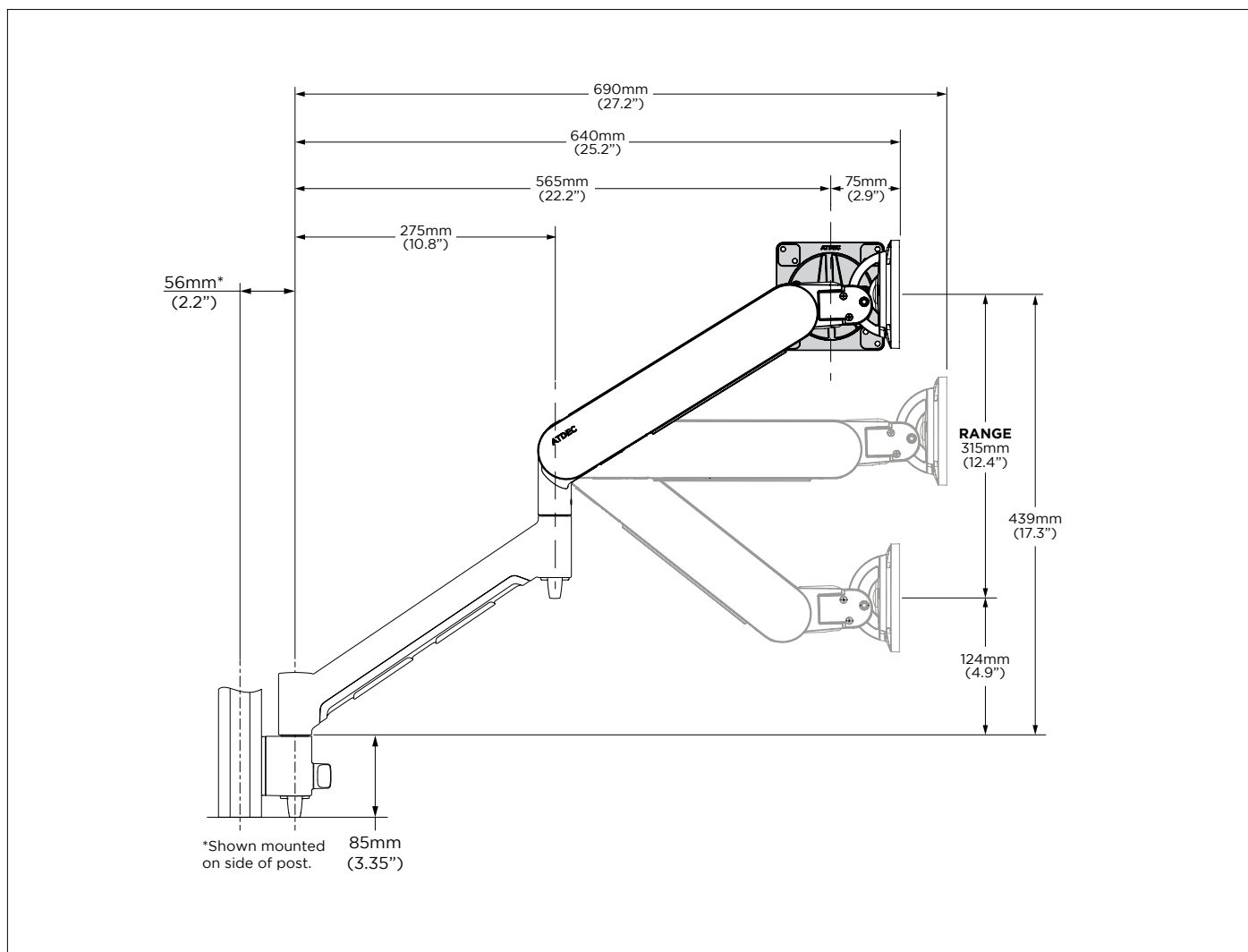
<p>Joint Movement 360°</p> <p>Pan Movement 180°</p> <p>± 90° Portrait to Landscape Rotation</p> <p>Dynamic Vertical Height Adjustment</p> <p>Joint Movement 360°/180°</p>	<p>Tilt Angle</p> <p>+45°</p> <p>-20°</p>
<p>CAPACITY</p> <p>Flat Monitors 2-8kg (4.4-17.6lb)</p> <p>Curved Monitors 2-8kg (4.4-17.6lb) Suits display sizes up to 35" (curved or flat)</p> <p>Larger monitors within the weight capacity may be compatible, contact Atdec for advice.</p> <p>Monitor weight should be within the weight range of all modular elements that make up the complete monitor mounting solution.</p>	<p>NOTE</p> <ul style="list-style-type: none"> Compatible with AWM Posts, Wall Channels and Single Wall Bracket
<p>Warranty</p> <p>10 years limited</p>	

Heavy Duty Dynamic Arm AWM-AHX - Movement

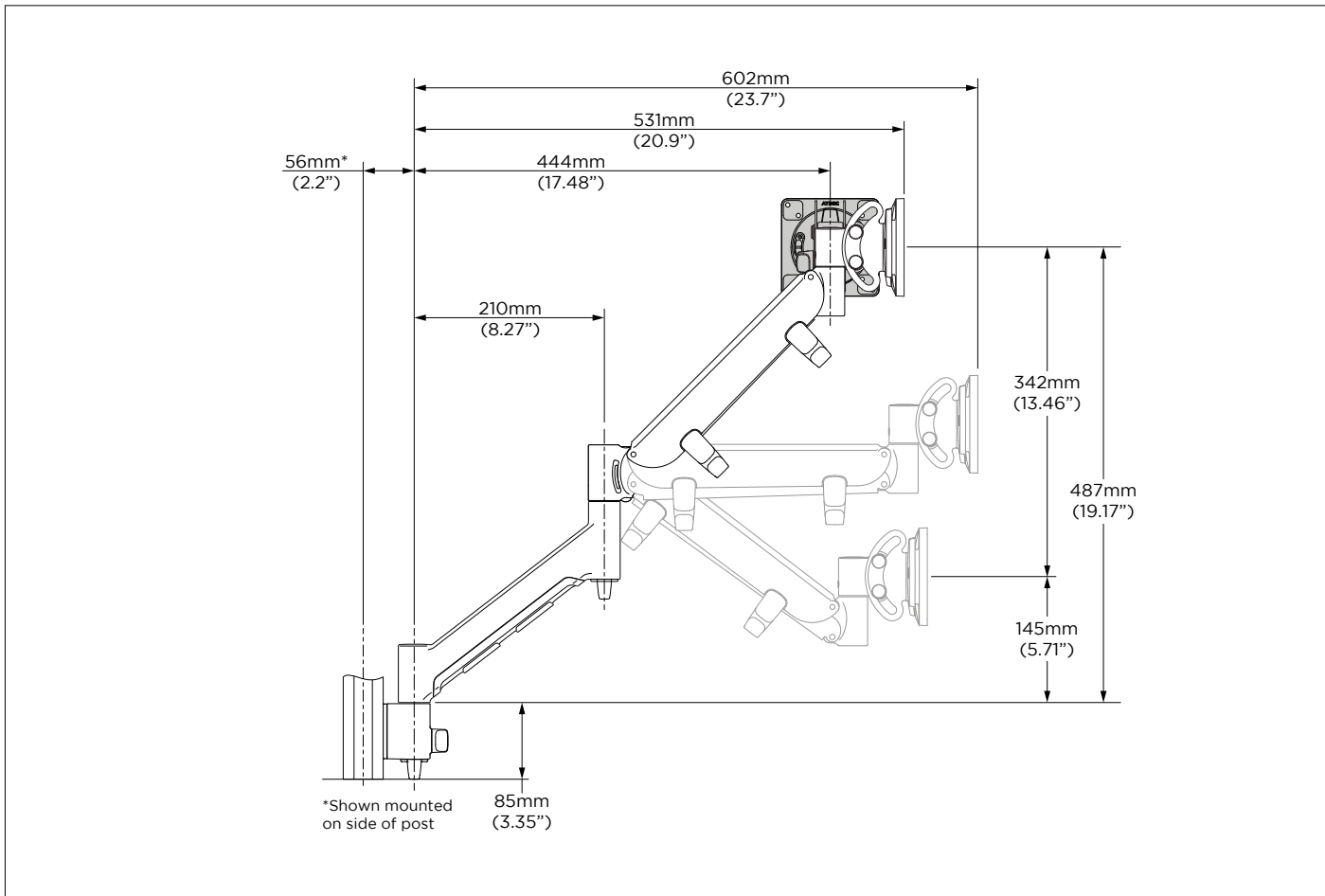
<p>Pan Movement 360°/180°</p> <p>Joint Movement 360°</p> <p>Dynamic Vertical Height Adjustment</p> <p>45°</p> <p>40°</p> <p>Joint Movement 360°/180°</p>	<p>CAPACITY</p> <p>Desk Base Mount</p> <p>Flat Monitors 6-16kg (13.5-35lb)</p> <p>Curved Monitors 6-12kg (13.5-26.5lb)</p> <p>Post Mount</p> <p>Flat Monitors 6-14kg (13.5-31lb)</p> <p>Curved Monitors 6-12kg (13.5-26.5lb)</p> <p>Monitor weight should be within the weight range of all modular elements that make up the complete monitor mounting solution.</p>
<p>NOTE</p> <ul style="list-style-type: none"> AHX is not compatible with AWM Wall Channels and posts taller than 400mm (15.75") Desk fixing sold separately Head sold separately 	<p>Warranty</p> <p>10 years limited</p>

DYNAMIC ARMS DIMENSIONS

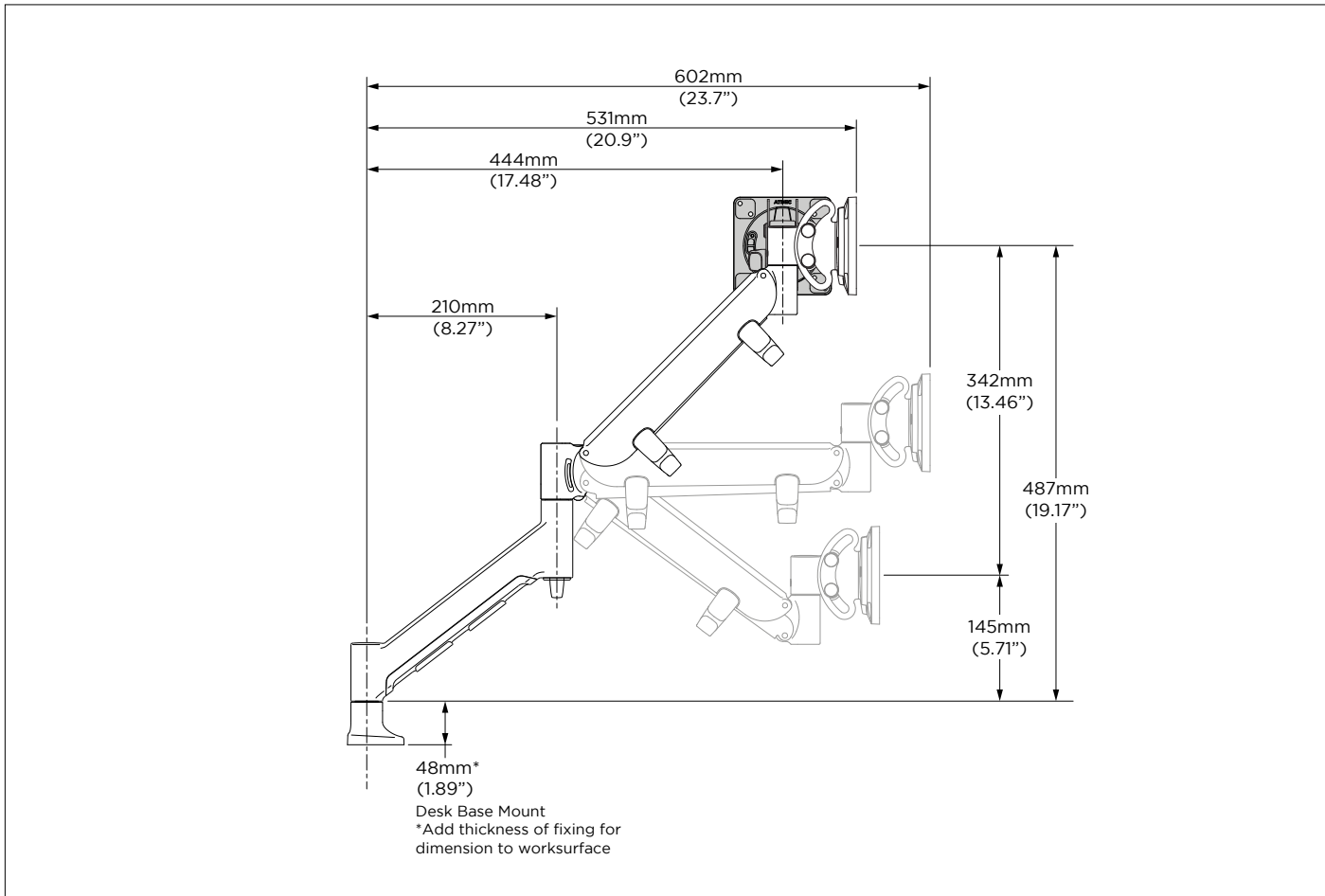
AWM Dynamic Arm for Post AWM-ADTC



Heavy Duty Dynamic Arm AWM-AHX
on **Channel Clamp AWM-LC** with **AWM QR HD VESA Tilt Head AWM-LTHT**

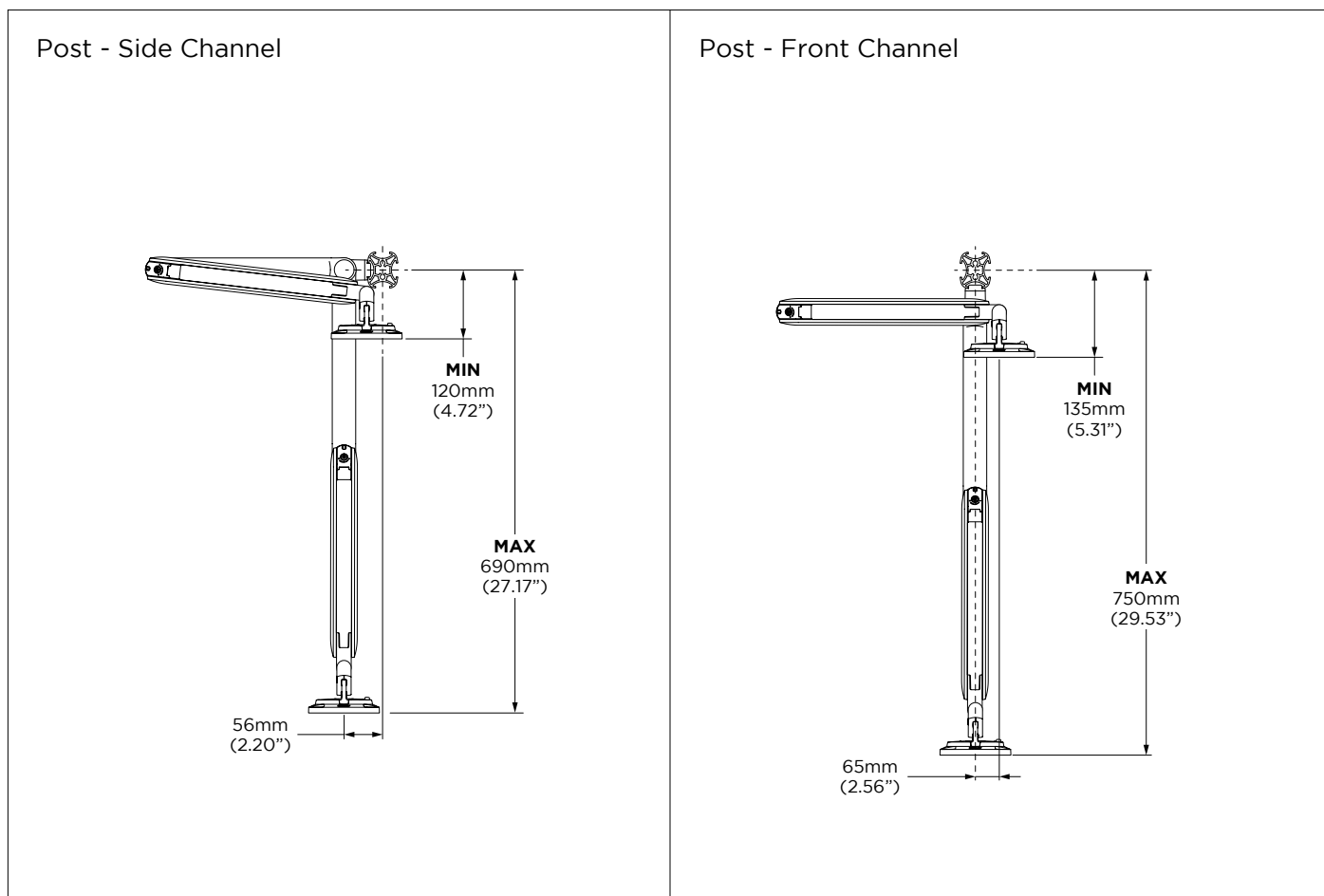


Heavy Duty Dynamic Arm AWM-AHX on **Arm Base AWM-LB** with **AWM QR HD Tilt Head AWM-LTHT**

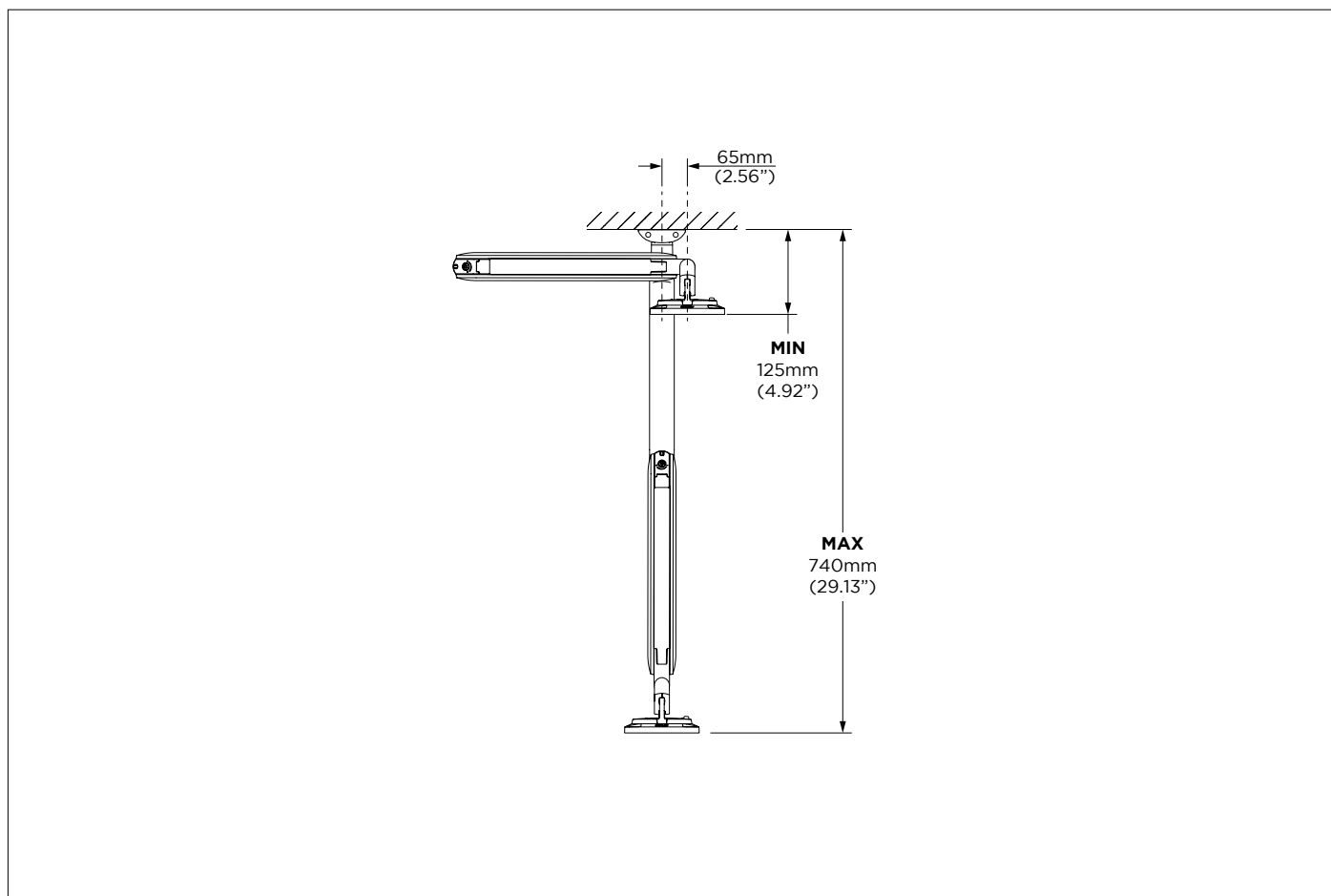


DYNAMIC ARMS DIMENSIONS ON POSTS, ARM BASE & WALL CHANNELS

AWM Dynamic Arm for Post AWM-ADTC on Post

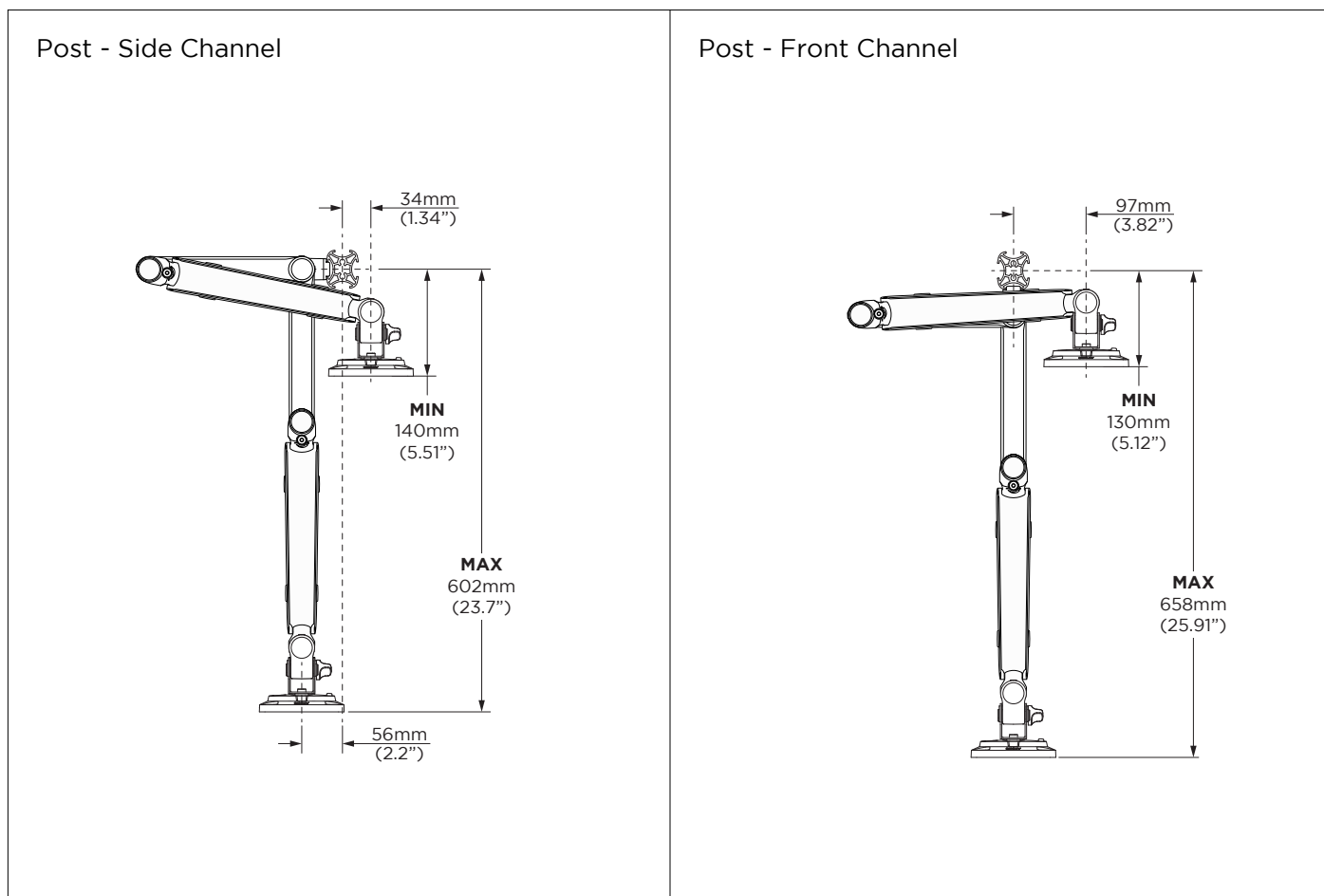


AWM Dynamic Arm for Post AWM-ADTC on Wall Channel

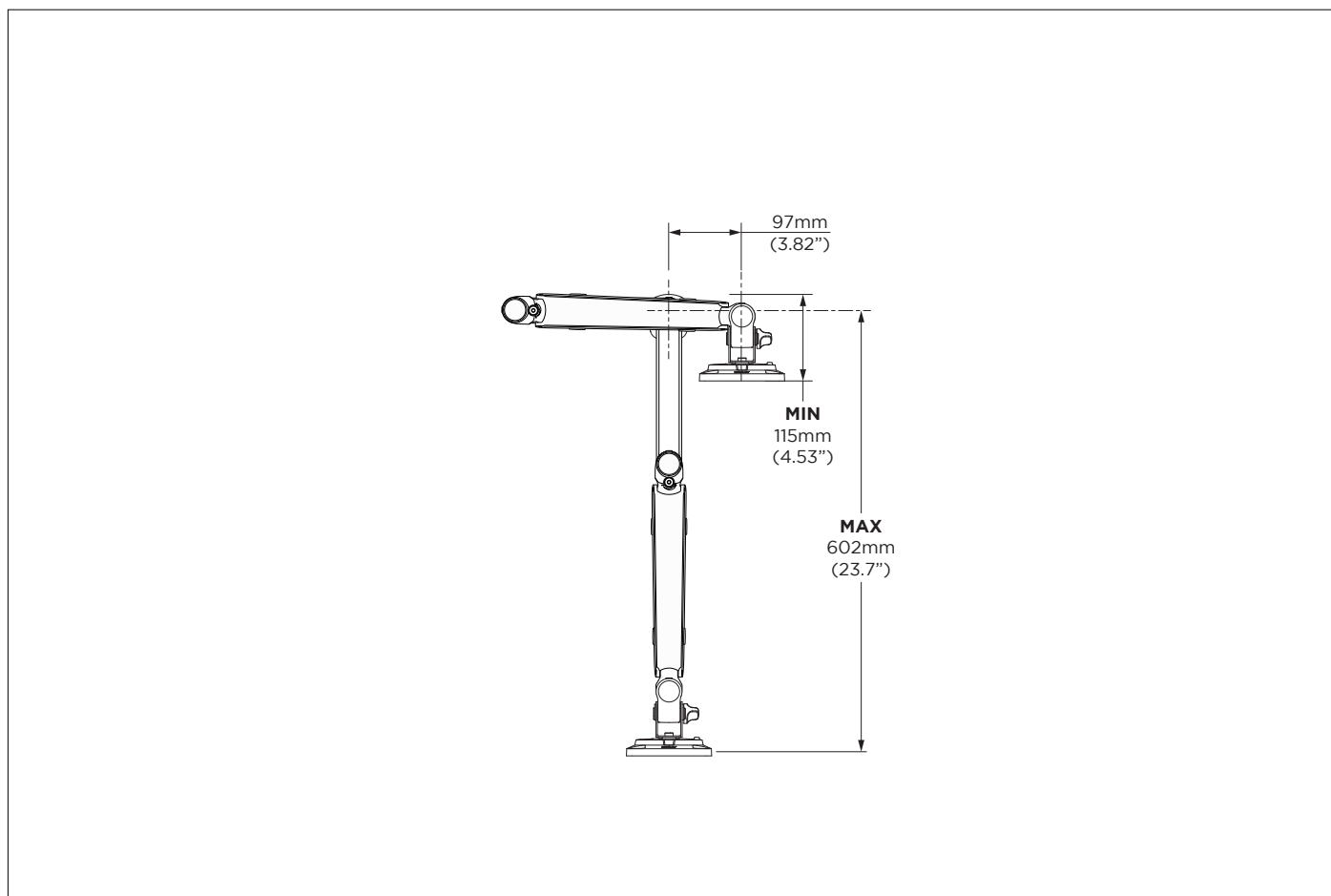


HEAVY DUTY DYNAMIC ARMS DIMENSIONS ON POSTS & ARM BASE

Heavy Duty Dynamic Arm AWM-AHX on Posts with AWM QR HD Tilt Head AWM-LTHT



Heavy Duty Dynamic Arm AWM-AHX on Arm Base AWM-LB with AWM QR HD Tilt Head AWM-LTHT

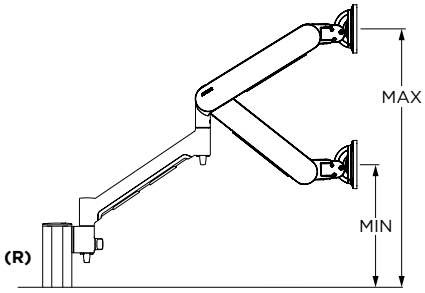
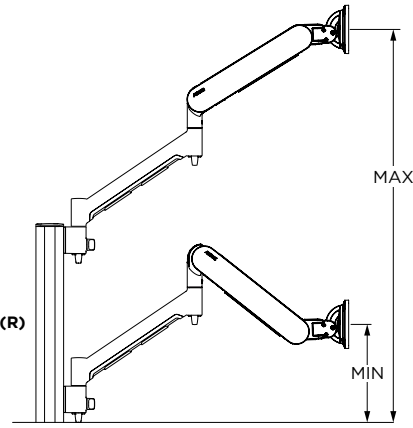
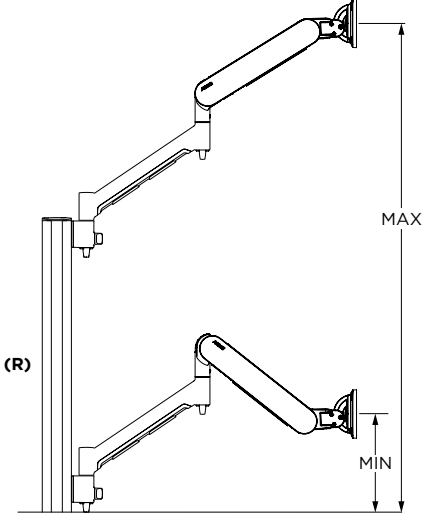


DYNAMIC ARMS HEIGHT ADJUSTMENT ON POSTS & WALL CHANNELS

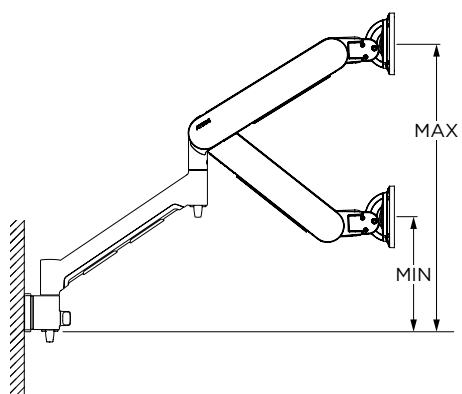
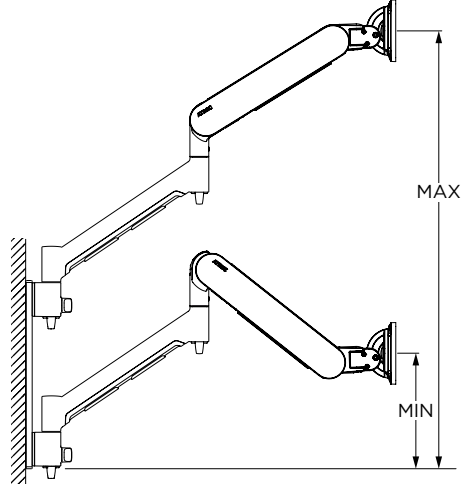
IMPORTANT

- Arm measurements taken from centre of VESA mount.
- Post measurements taken from the bottom of the post. Add thickness of the fixing (see fixings section) to minimum and maximum dimensions.
- Wall Channel measurements taken from bottom of wall channel.
- On posts mounted with the C Clamp (AWM-FC) add 26mm (1.02") to the minimum height.

AWM Dynamic Arm for Post AWM-ADTC on Posts

135 Post AWM-P13	400 Post AWM-P40	750 Post AWM-P75
		
<p>MIN HEIGHT 209mm (8.23") MAX HEIGHT 577mm (22.72") RANGE (R) 368mm (14.49")</p>	<p>MIN HEIGHT 209mm (8.23") MAX HEIGHT 842mm (33.15") RANGE (R) 633mm (24.92")</p>	<p>MIN HEIGHT 209mm (8.23") MAX HEIGHT 1192mm (46.93") RANGE (R) 983mm (38.7")</p>

AWM Dynamic Arm for Post AWM-ADTC on Wall Channels

60 Wall Channel AWM-W6	350 Wall Channel AWM-W35
	
<p>MIN HEIGHT 115mm (4.53") MAX HEIGHT 430mm (16.93") RANGE (R) 315mm (12.4")</p>	<p>MIN HEIGHT 115mm (4.53") MAX HEIGHT 728mm (28.66") RANGE (R) 613mm (24.13")</p>

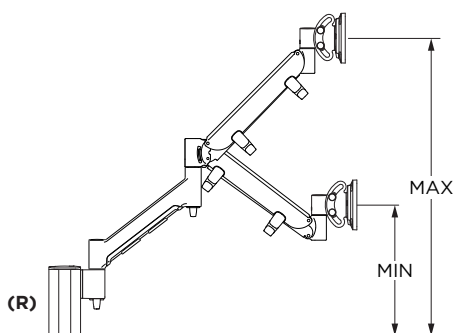
HEAVY DUTY DYNAMIC ARMS HEIGHT ADJUSTMENT ON POSTS

IMPORTANT

- Arm measurements taken from centre of VESA mount.
- Post measurements taken from the bottom of the post. Add thickness of the fixing (see fixings section) to min and max dimensions.
- On posts mounted with the C Clamp (AWM-FC) add 26mm (1.02") to the minimum height.

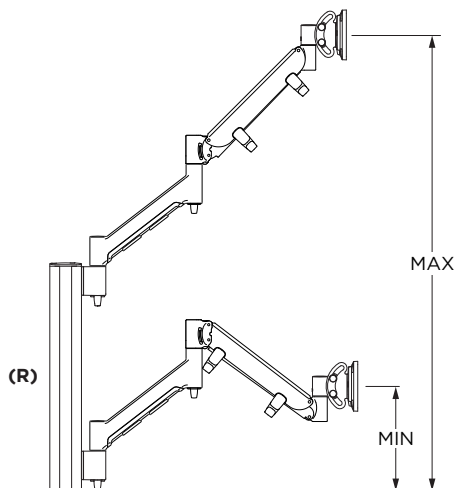
Heavy Duty Dynamic Arm AWM-AHX on Posts

135 Post AWM-P13



MIN HEIGHT 230mm (9.06")
MAX HEIGHT 617mm (24.29")
RANGE (R) 342mm (13.46")

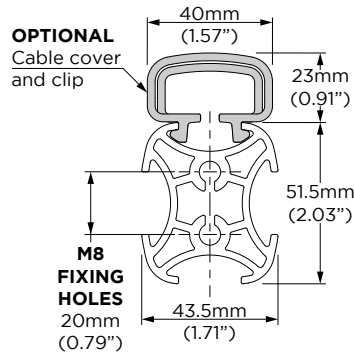
400 Post AWM-P40



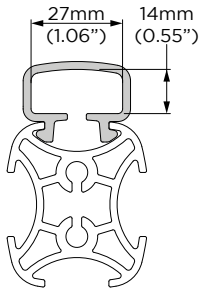
MIN HEIGHT 230mm (9.06")
MAX HEIGHT 887mm (34.92")
RANGE (R) 657mm (25.87")

POST DIMENSIONS

Top View

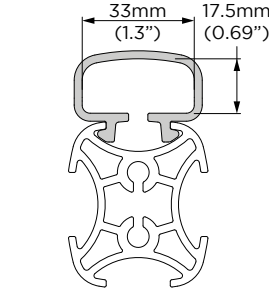
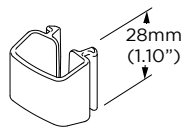


TOP VIEW



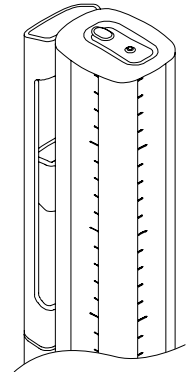
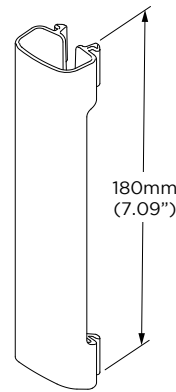
CABLE CLIP - TOP VIEW

NOTE Fits approximately six 7mm ($\frac{7}{64}$ ") cables

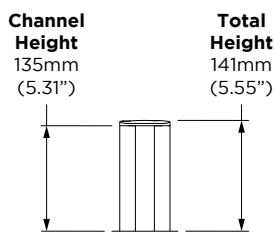


CABLE COVER - TOP VIEW

NOTE Fits approximately ten 7mm ($\frac{7}{64}$ ") cables



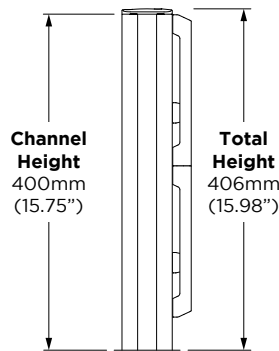
135 Post AWM-P13



Compatible Fixings:

- **Bolt Through Kit** AWM-FB
- **C Clamp** AWM-FC
- **F Clamp** AWM-FF
- **HD F Clamp** AWM-FH
- **Grommet Clamp** AC-GC

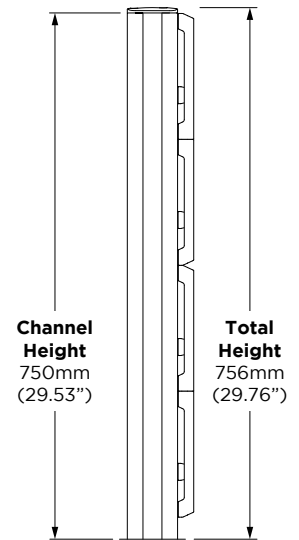
400 Post AWM-P40G



Compatible Fixings:

- **Bolt Through Kit** AWM-FB
- **C Clamp** AWM-FC
- **F Clamp** AWM-FF
- **HD F Clamp** AWM-FH
- **Grommet Clamp** AC-GC

750 Post AWM-P75G



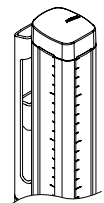
Compatible Fixings:

- **HD F Clamp** AWM-FH
- **Grommet Clamp** AC-GC

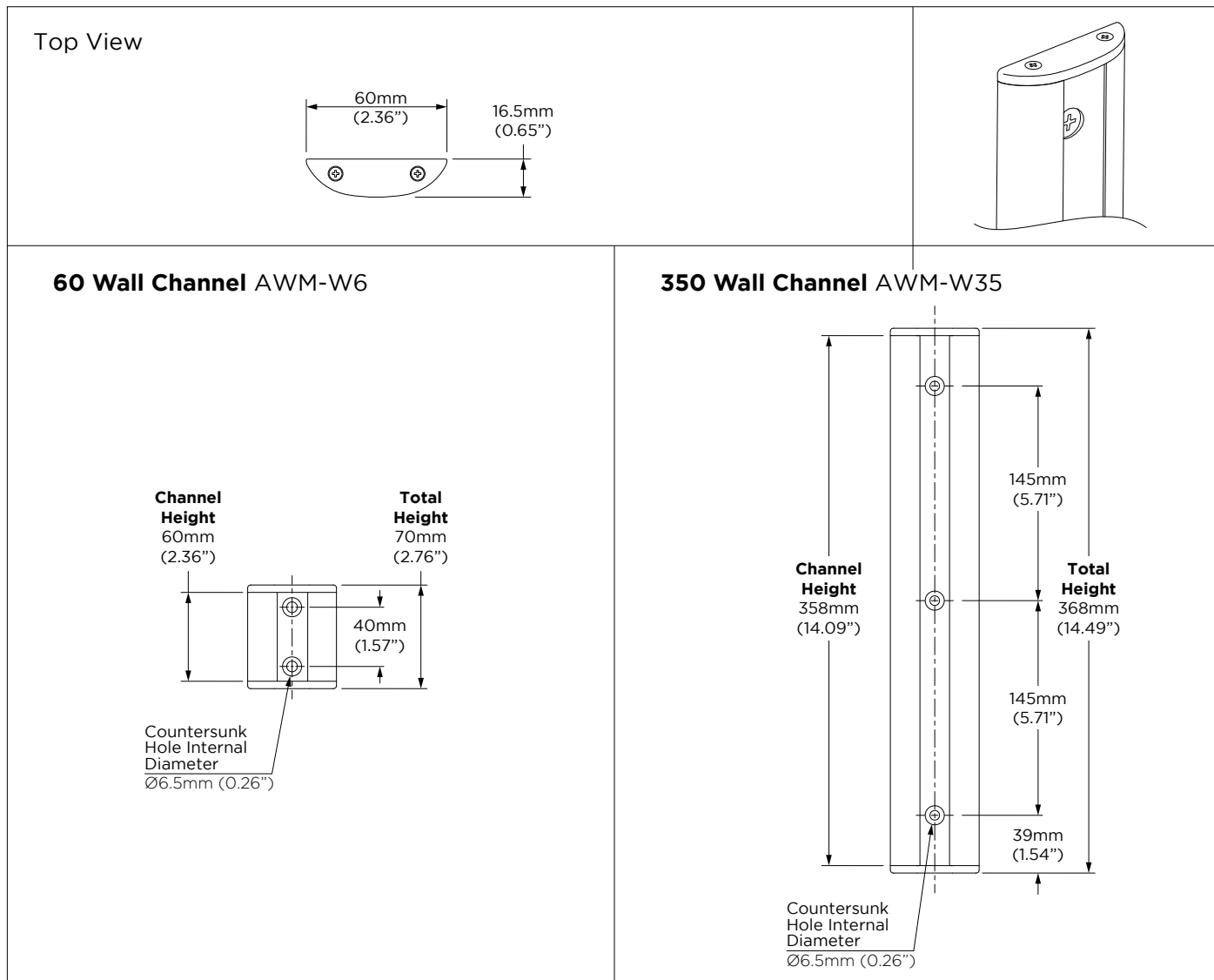
AWM Post 40 Stackable AWM-P40X with AWM Stack Kit 40 AWM-X40

IMPORTANT

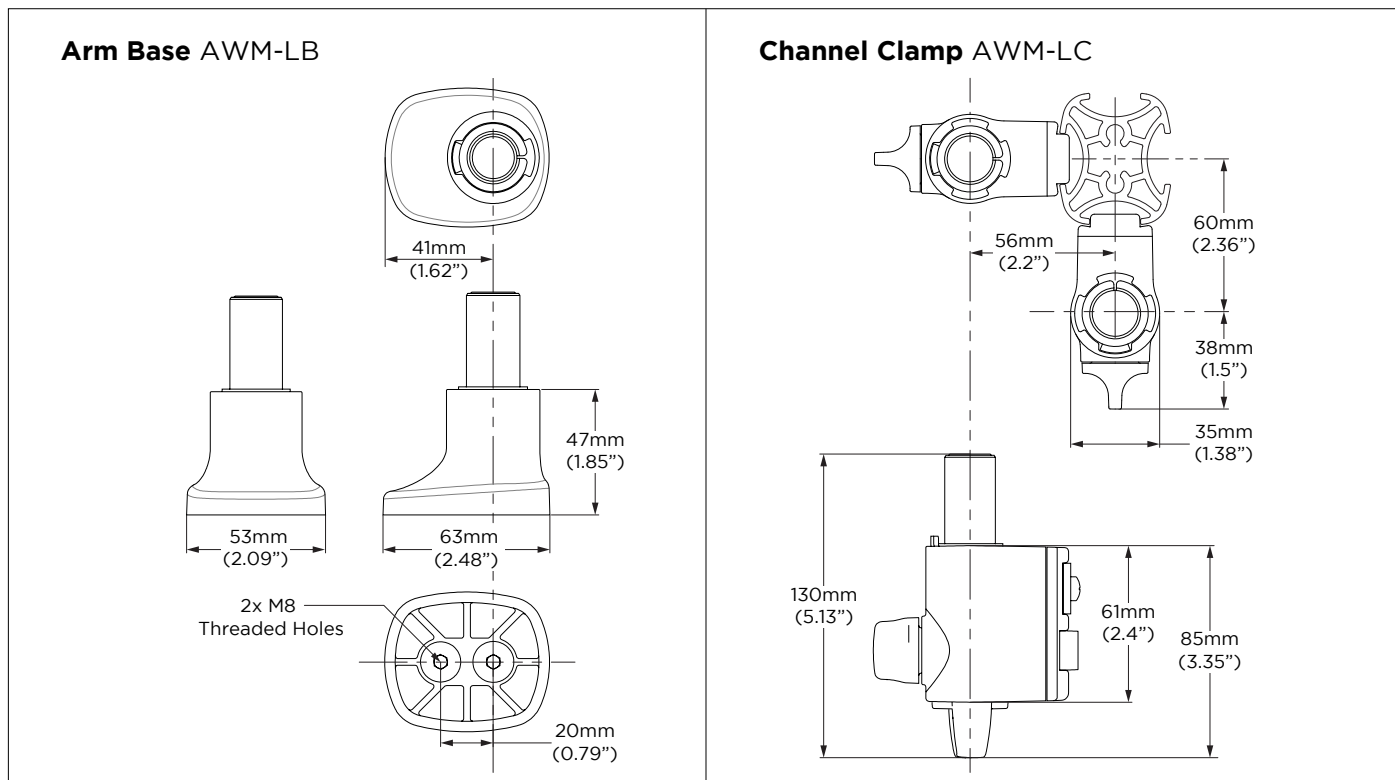
- Monitor weight should be within the weight range of all modular elements that make up the complete monitor mounting solution.
- 10 years limited warranty.
- For further details refer to the AWM Post 40 Stackable AWM-P40X and AWM Stack Kit 40 AWM-X40 Technical Specification document.



WALL FIXINGS DIMENSIONS



ARM FIXINGS DIMENSIONS

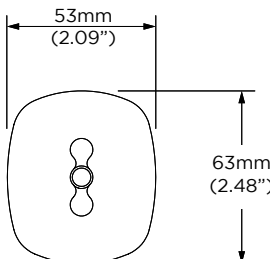
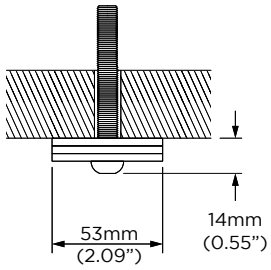
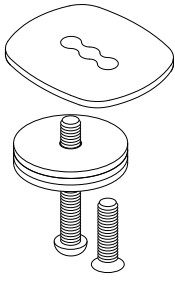
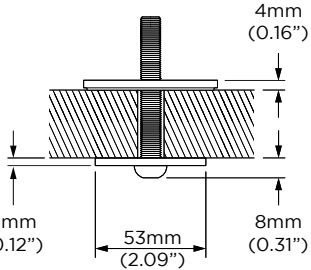
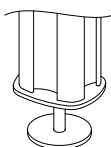
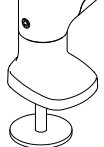
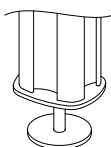
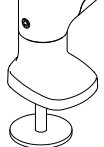
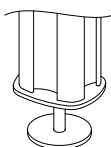
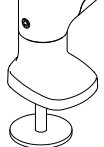


FIXINGS

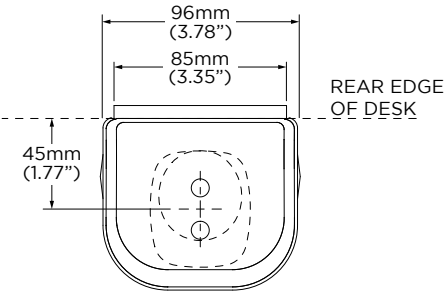
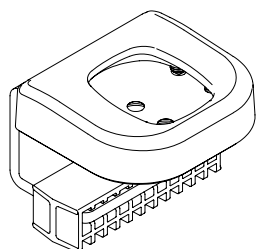
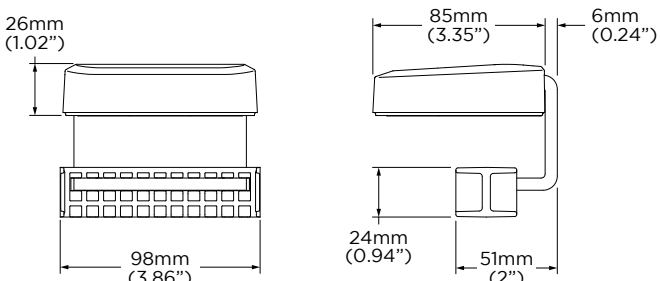
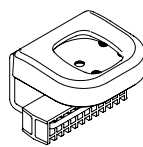
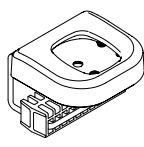
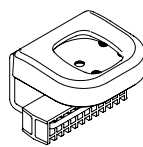
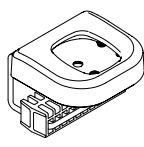
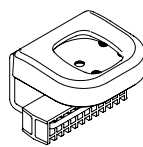
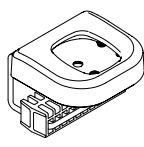
IMPORTANT

- Any mounting surface must be capable of supporting the combined weight of all products and attached displays/devices.
- Monitor weight should be within the weight range of all modular elements that make up the complete mounting solution.
- All fixings are sold separately.

Bolt Through Kit AWM-FB

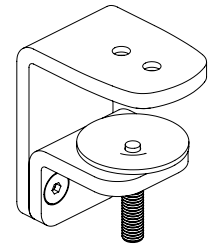
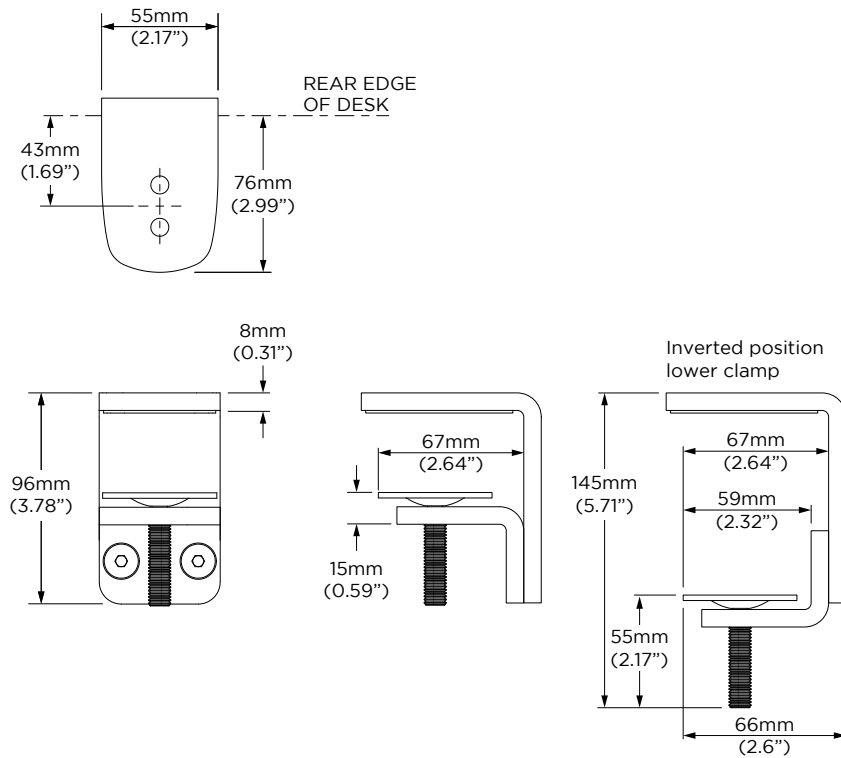
<p>Top View</p> 	<p>Arm Base (3 washer) Installation</p> 							
<p>NOTE: This desk fixing is not compatible with AWM-P75G, the Stacked P40X Posts (x2 AWM-P40X + AWM-X40) or the heavy duty range.</p> <p>Please use the AC-GC Grommet Clamp as a bolt-through kit for AWM-P75G and the Stacked P40X Posts (x2 AWM-P40X + AWM-X40) and the heavy duty range.</p>	<p>Post Installation</p> 	<p>Worksurface Thickness</p> <table border="0"> <tr> <td data-bbox="1109 862 1189 896">POST</td> <td data-bbox="1308 862 1436 896">ARM BASE</td> </tr> <tr> <td data-bbox="1109 918 1220 1064"></td> <td data-bbox="1324 918 1428 1064"></td> </tr> <tr> <td data-bbox="1093 1097 1204 1153">0 - 33mm (0 - 1.3")</td> <td data-bbox="1300 1097 1444 1153">15 - 33mm (0.59 - 1.3")</td> </tr> </table>	POST	ARM BASE			0 - 33mm (0 - 1.3")	15 - 33mm (0.59 - 1.3")
POST	ARM BASE							
								
0 - 33mm (0 - 1.3")	15 - 33mm (0.59 - 1.3")							

C Clamp AWM-FC

<p>Dimensions</p> 									
	<p>Worksurface Thickness</p> <table border="0"> <tr> <td data-bbox="1093 1624 1204 1657">DEFAULT</td> <td data-bbox="1308 1624 1436 1657">INVERTED</td> </tr> <tr> <td data-bbox="1085 1724 1228 1870"></td> <td data-bbox="1292 1724 1436 1870"></td> </tr> <tr> <td data-bbox="1085 1948 1220 2004">25 - 33mm (0.98 - 1.3")</td> <td data-bbox="1300 1948 1444 2004">18 - 25.8mm (0.71"-1.02")</td> </tr> <tr> <td colspan="2" data-bbox="1061 2049 1460 2083">TOTAL RANGE 18-33mm (0.71-1.3")</td> </tr> </table>	DEFAULT	INVERTED			25 - 33mm (0.98 - 1.3")	18 - 25.8mm (0.71"-1.02")	TOTAL RANGE 18-33mm (0.71-1.3")	
DEFAULT	INVERTED								
									
25 - 33mm (0.98 - 1.3")	18 - 25.8mm (0.71"-1.02")								
TOTAL RANGE 18-33mm (0.71-1.3")									

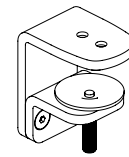
F Clamp AWM-FF

Dimensions



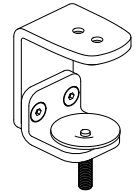
Worksurface Thickness

DEFAULT



0 - 36mm
(0 - 1.42")

INVERTED

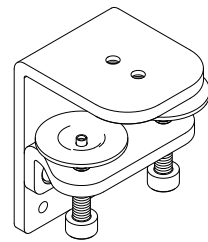
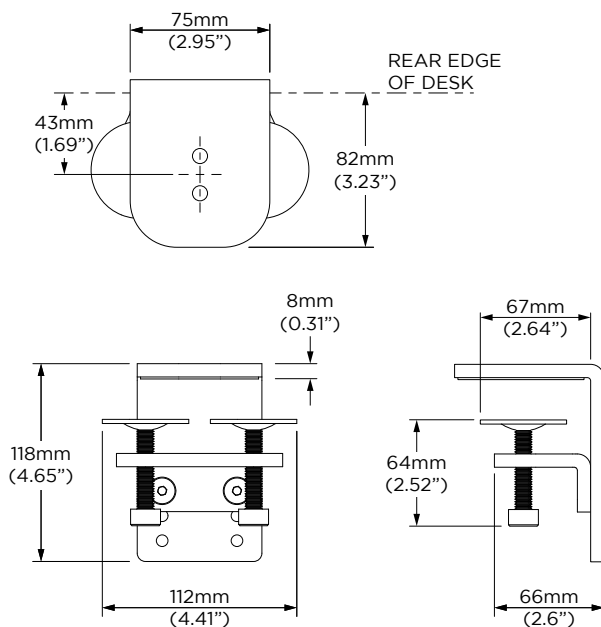


36 - 79mm
(1.42 - 3.11")

TOTAL RANGE 0-79mm (0-3.11")

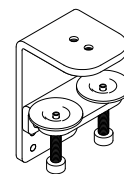
Heavy Duty F Clamp AWM-FH

Dimensions



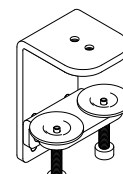
Worksurface Thickness

TOP



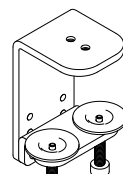
0-38mm
(0-1.5")

MIDDLE



11-53mm
(0.43-2.09")

BOTTOM



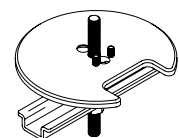
25-68mm
(0.98-2.68")

TOTAL RANGE 0-68mm (0-2.68")

Grommet Clamp AC-GC

IMPORTANT

- The Grommet Clamp fixing is compatible with AWM Series Post and Arm Base products.
- Ensure the overall solution is rated to support the combined weight of all products and attached displays/devices.
- For further details refer to the Grommet Clamp Technical Specifications document.



Slat Wall Adaptor AWM-WS

<p>Dimensions</p> <p>IMPORTANT Must be used with AWM 60 Wall Channel AWM-W6 (sold separately)</p>	<p>Weight Range 0-7kg (0-15lb)</p> <p>Monitor weight should be within the weight range of all modular elements that make up the complete monitor mounting solution.</p>
<p>Slat Wall Groove Pitch</p> <p>MIN PITCH 36mm (1.42") MAX PITCH 78mm (3.07")</p>	<p>NOTE Designed for use with desking slat walls and tool rails.</p> <p>Also suits Atdec ADB Rails</p> <ul style="list-style-type: none"> • ADB-R48 • ADB-R68 • ADB-R125 • ADB-R175
	<p>Warranty 10 years limited</p>

Single Wall Bracket AWM-W

<p>IMPORTANT</p> <ul style="list-style-type: none"> • Maximum display weight load 18kg (40 lbs). • Monitor weight should be within the weight range of all modular elements that make up the complete mounting solution. • 10 years limited warranty. • For further details refer to the Single Wall Bracket AWM-W Technical Specifications document. 	
--	--

ACCESSORIES

Mini PC Mount Plate AC-MP

<p>IMPORTANT</p> <ul style="list-style-type: none"> • Maximum weight load 5kg (11 lbs). • The Mini PC Mount Plate is compatible with all AWM Post and Wall Channel products. • The Mounting Plate can be placed at any height on the Post or Wall Channel as desired. • Compatible with Intel NUC® devices and VESA 75x75mm and 100x100mm hole pattern compliant devices. • Slots allow mounting of NUCs with both 84 and 95mm mounting hole spacings. • Ensure solution is rated to support combined weight of all products and attached displays/devices. • 10 years limited warranty (parts and workmanship). • For further details refer to the Mini PC Mount Plate - AC-MP Technical Specifications document. 	
---	--