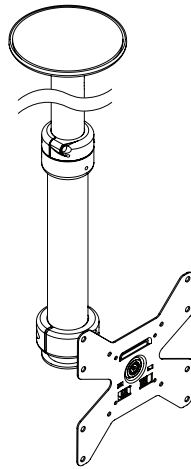


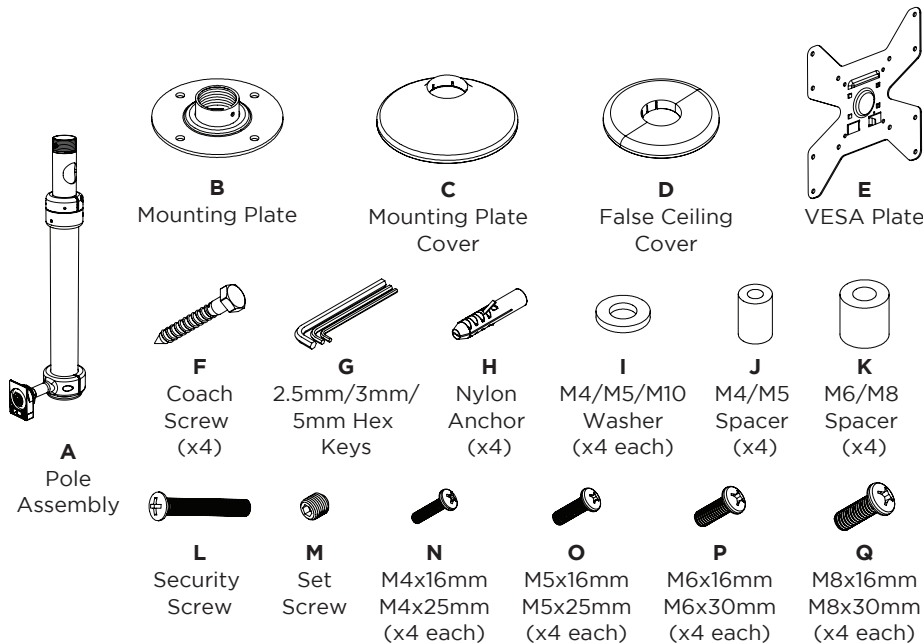
## 1040 Ceiling Mount

## Installation Guide

TH-1040-CTS  
TH-1040-CTL  
TH-1040-CT-B2B  
TH-1040-CT-RCK  
TH-1040-CT-DV



### COMPONENT CHECKLIST



Ceiling

### REQUIRED TOOLS

- Power drill
- 7mm Drill Bit
- 12mm Masonry Drill Bit
- Phillips head screw driver
- 17mm Socket Wrench or Shifter

### WEIGHT RANGE

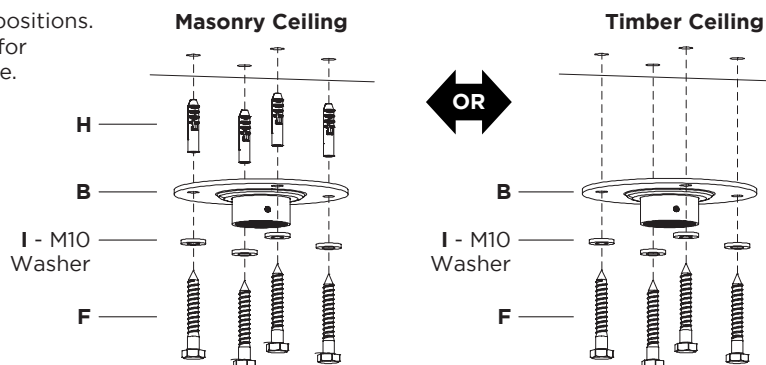
Maximum pole capacity  
0 - 50kg  
(0 - 110lb)

### IMPORTANT INFORMATION

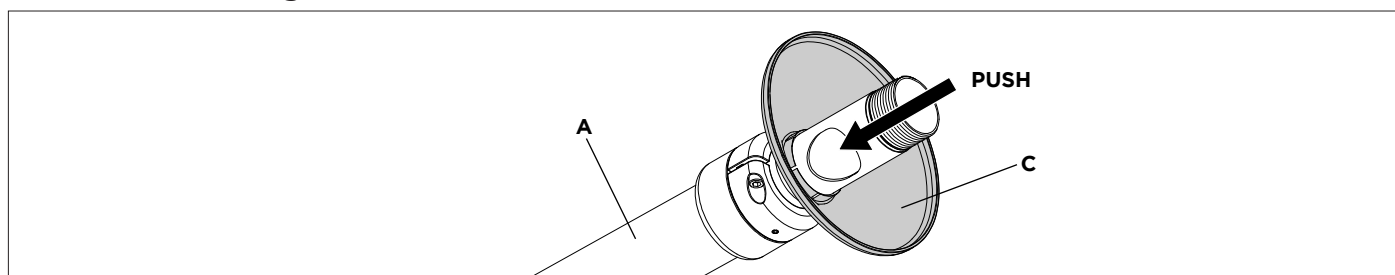
- ! **Please ensure this product is installed as per these installation instructions.**
- ! The manufacturer accepts no responsibility for incorrect installation.
- ! The maximum pole capacity defines the weight capacity of the complete mounting solution, not individual display mounts.
- ! Failure to mount this product correctly may cause serious injury/death during or following installation.
- ! This product is not suitable for outdoor use.
- ! Do not use this product for mobile applications.
- ! This product should only be installed by professional installers of good mechanical aptitude, who have experience with building construction, and fully understand these instructions and the consequences of incorrect installation.
- ! Ceiling Mount only achieves maximum weight rating when appropriately fastened to a ceiling of adequate structural capacity.
- ! Professional installer to ensure adequate structural capacity of ceiling (including appropriate safety factor) to support total weight of all equipment being mounted.
- ! Drilling into electrical wires can cause death - use appropriate equipment and caution when drilling holes in ceilings to avoid electrical cables, water pipes and gas pipes. Do not drill into structures unless established it's safe to do so.

## 1. Install Mounting Plate

- Use Mounting Plate **B** as a template to mark hole positions.
- Use a suitable power drill to drill  $\text{\O}7 \times 70\text{mm}$  holes for timber joist installations or  $\text{\O}12 \times 70\text{mm}$  for concrete.
- Please choose fasteners that will suit your installation, consult a qualified engineer prior to installing.
- Ensure ceiling mount is vertical, this product will not suit slanted ceilings.
- Use good quality stud finder to position mounting fasteners in the centre of the studs.
- Avoid mortar joints.
- For metal beams, please consult qualified engineer.

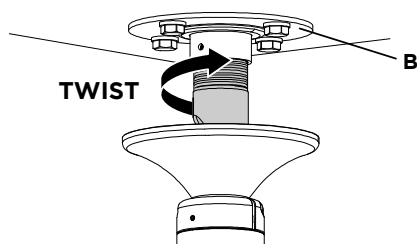


## 2. Install Mounting Plate Cover

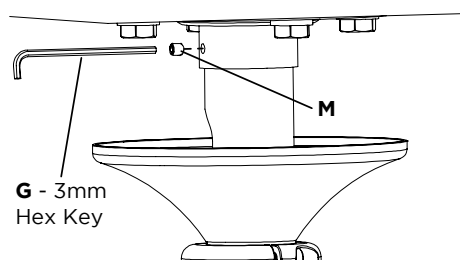


## 3. Attach Pole Assembly to Mounting Plate

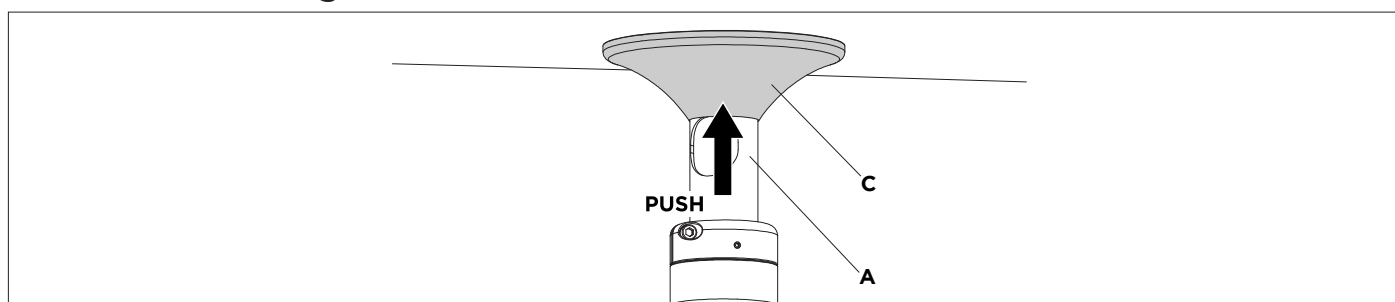
**3.1.** Screw Pole Assembly **A** into Mounting Plate **B** by twisting top half of the Pole Assembly only.



**3.2.** Insert Set Screw **M** into the Mounting Plate to lock the Pole Assembly in position.

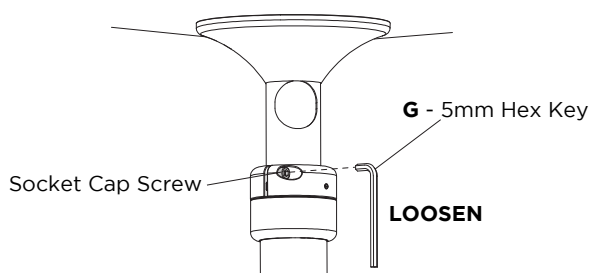


## 4. Position Mounting Plate Cover

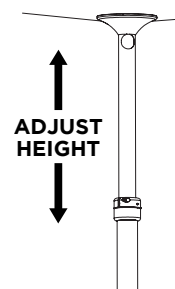


## 5. Set length of Pole

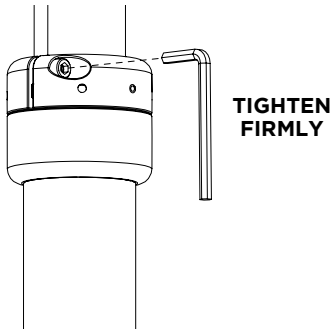
**5.1.** Whilst supporting the lower half of Pole Assembly loosen the socket cap screws (x2).



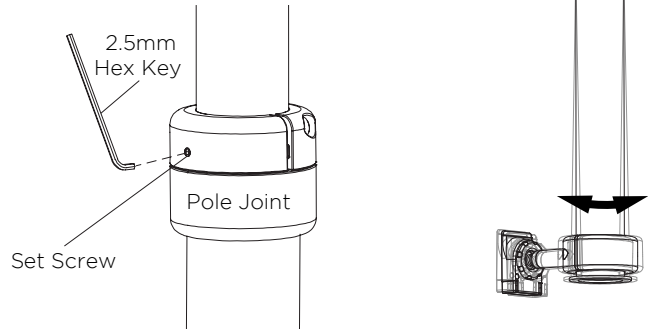
**5.2.** Slide Pole Assembly to the desired height.



**5.3.** Tighten the socket cap screws (x2) to set the height.



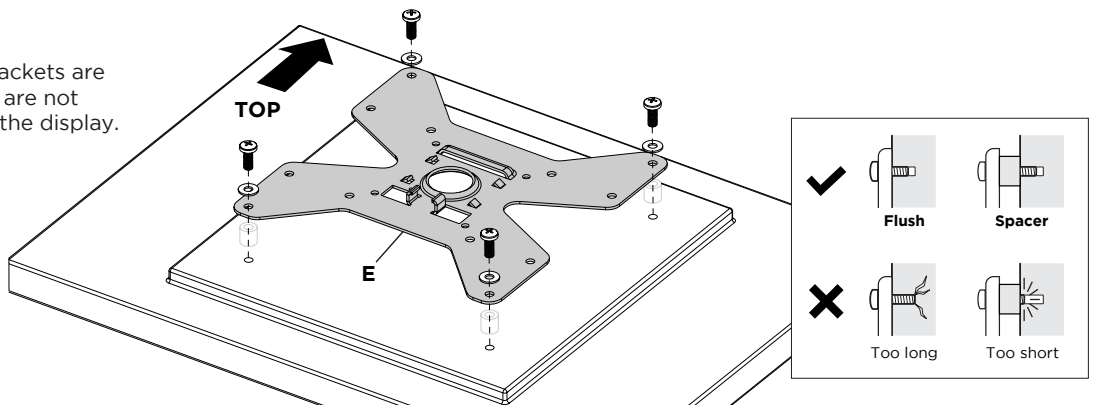
**5.4.** If necessary, use the set screws on either side of the pole joint to correct the alignment of the lower pole.



## 6. Attach VESA Plate to display

**NOTE:**

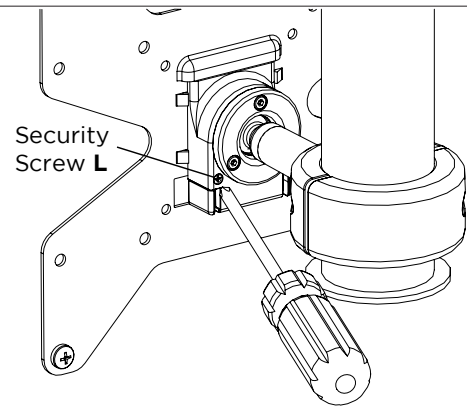
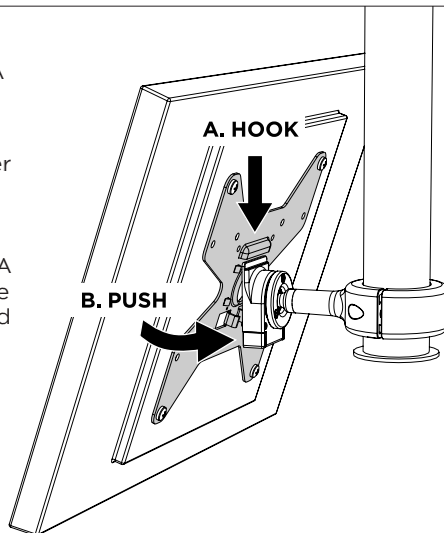
- Always use a washer.
- Ensure the display brackets are not loose and screws are not forced too deep into the display.
- If spacers are needed, use the shortest possible combination between the display bracket and the display.



## 7. Attach display to Pole Assembly

**7.1.** Angle the display and hook the slot on the VESA Plate **E** to the Ball Mount on the Pole Assembly **A**.

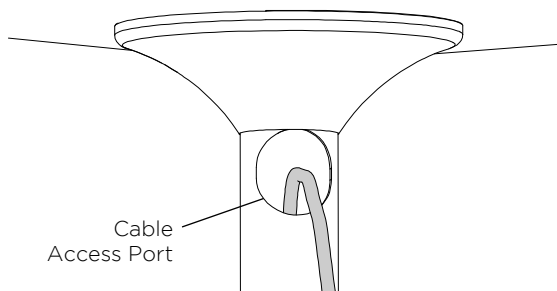
Press the buttons on either side of the Ball Mount and gently apply pressure to the lower half of the display to ensure the VESA Plate is firmly attached to the Ball Mount. It should sit parallel on the ball mount.



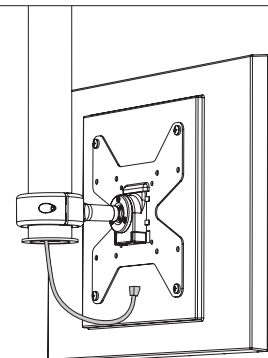
**7.2. (OPTIONAL)** Insert Security Screw **L** using Phillips head screwdriver.

## 8. Cable management

**8.1.** Feed cables down the Pole Assembly through the cable access port.

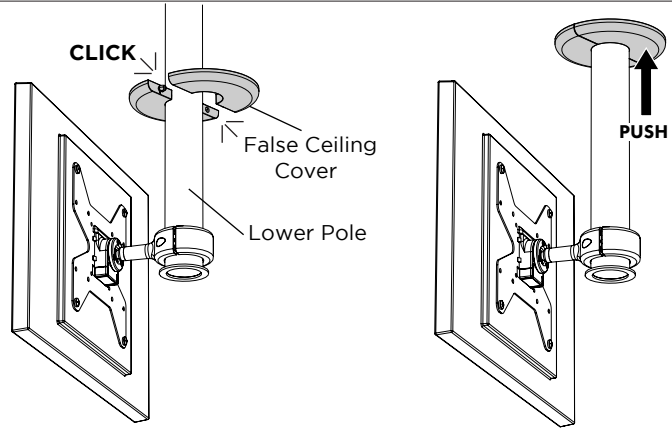


**8.2.** Pull cables out from lower half of the Pole Assembly and connect to display.



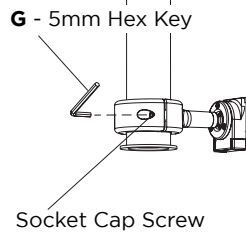
## 9. (OPTIONAL) Install False Ceiling Cover

If the Lower Pole hangs below a suspended ceiling, clip the False Ceiling Cover over the Lower Pole, and push up to the ceiling.



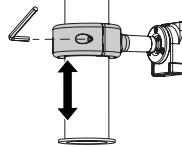
## ADJUSTMENTS

### Display Height

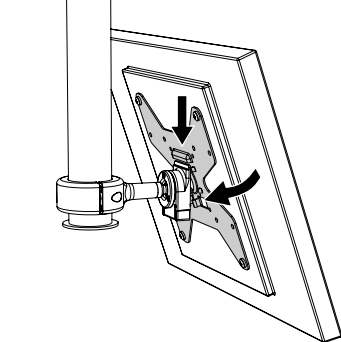


**WARNING:** Display must be removed.  
Loosen Socket Cap Screws (x2) on the collar.

### SLIDE



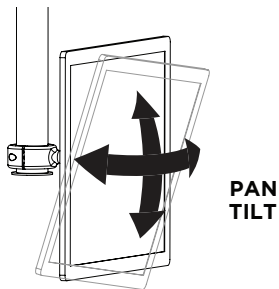
Slide the height of the collar as required.  
Tighten Socket Cap Screws to lock.



Follow guide from step 7.

### Display Position

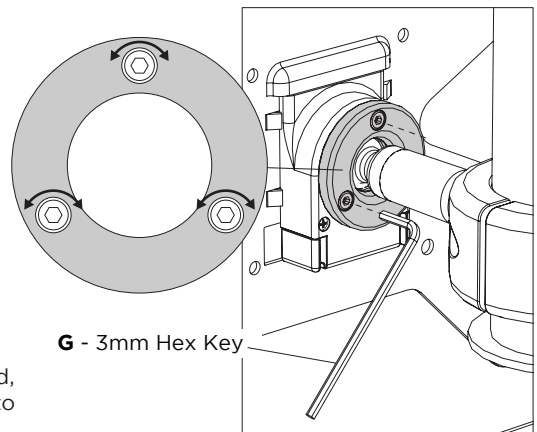
Firmly grip the display with two hands to pan, tilt the display up to 20 degrees and rotate the display up to 90 degrees.



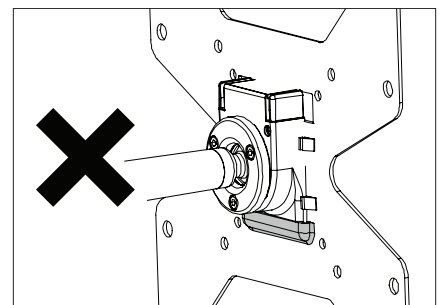
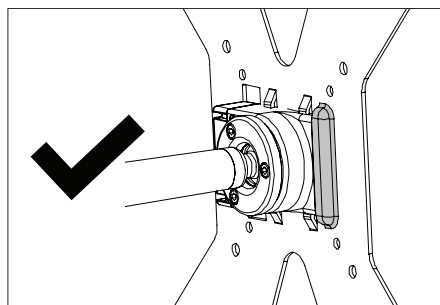
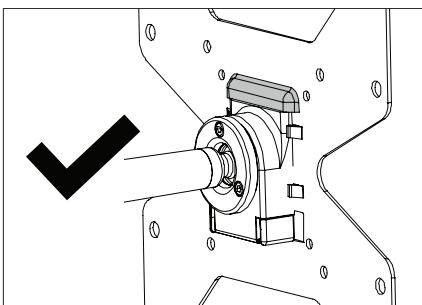
### Ball Joint Tension

If the display is too loose or too stiff to position, use the 3mm Hex Key **G** to **evenly** tighten or loosen the ball joint screws in small increments to the desired tension.

**NOTE:** Ball joint tension may need to be loosened, adjusted and tightened to set the desired position.



**WARNING:** When rotating the display, ensure the hook detail on the display bracket never faces downwards.



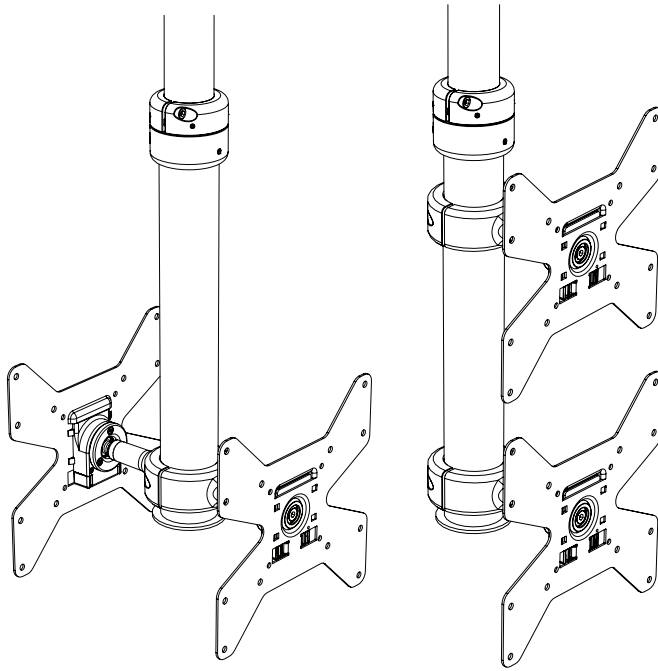
# 1040 Ceiling Tilt Accessories

## Installation Guide

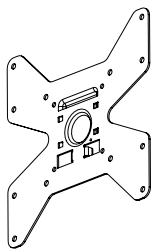
TH-1040-CT-B2B

TH-1040-CT-RCK

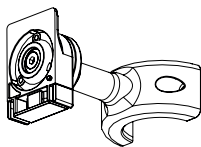
TH-1040-CT-DV



### 1040 Ceiling Back to Back Kit **COMPONENT CHECKLIST**



**A**  
VESA Plate



**B**  
Mount Head  
Accessory



**C**  
5mm  
Hex  
Key



**D**  
3mm  
Hex  
Key



**E**  
Security  
Screw  
(optional)



**F**  
M4 Washer  
M5 Washer  
(x4 each)



**G**  
M4/5  
Spacer  
(x4)



**H**  
M6/8  
Spacer  
(x4)



**I**  
M4x16mm  
M4x25mm  
(x4 each)



**J**  
M5x16mm  
M5x25mm  
(x4 each)



**K**  
M6x16mm  
M6x30mm  
(x4 each)



**L**  
M8x16mm  
M8x30mm  
(x4 each)

### **WEIGHT RANGE**

Maximum pole capacity  
0 - 50kg  
(0 - 110lb)

### 1040 Ceiling Rear Collar Kit **COMPONENT CHECKLIST**



**A**  
Mount Head  
Rear



**B**  
M6x20mm  
Socket Cap  
Screw (x2)

### **WEIGHT RANGE**

Maximum pole capacity  
0 - 50kg  
(0 - 110lb)

**TH-1040-CT-DV** 1040 Ceiling Tilt Double Vertical consists of:

- **TH-1040-CT-B2B** 1040 Ceiling Back to Back Kit
- **TH-1040-CT-RCK** 1040 Ceiling Rear Collar Kit

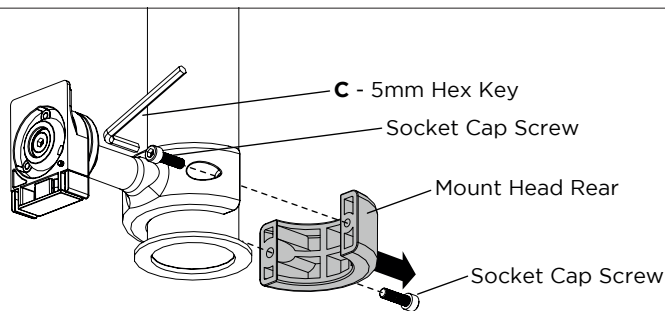
## TH-1040-CT-B2B 1040 Ceiling Back to Back Kit

### 1. Remove Back of Existing Mount Head

Remove back half of the existing Mount Head by removing Socket Cap Screws (x2).

**WARNING:** Display must be removed.

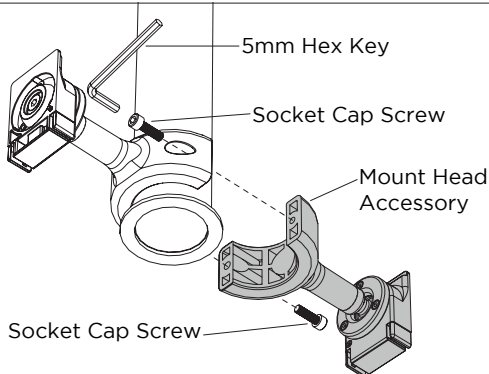
**NOTE:** Keep Socket Cap Screws for Step 2.



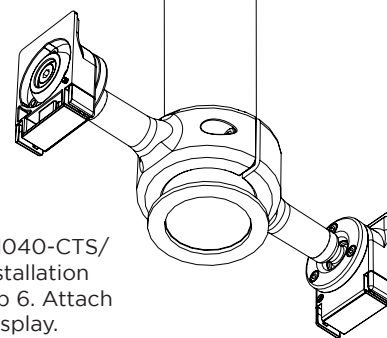
### 2. Install Mount Head Accessory

**2.1** Attach the Mount Head Accessory with the Socket Cap Screws (x2).

Tighten screws firmly and equally.



**2.2** Refer to TH-1040-CTS/TH-1040-CTL Installation Instructions, Step 6. Attach VESA plate to display.



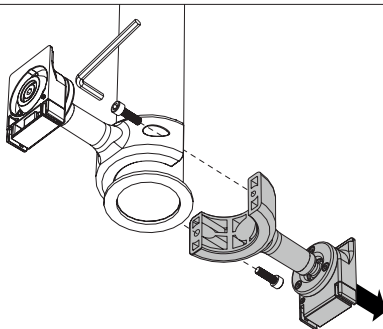
## TH-1040-CT-RCK 1040 Ceiling Rear Collar Kit

### 1. Replace Back of Existing Mount Head

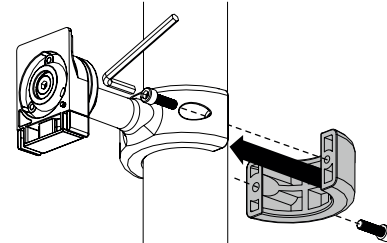
**1.1** Remove back half of the existing Mount Head by removing Socket Cap Screws (x2).

**WARNING:** Display must be removed, ensure cables and security screw are removed prior.

**NOTE:** Keep Socket Cap Screws for Step 1.2.



**1.2** Attach the Mount Head Rear with the Socket Cap Screws (x2).

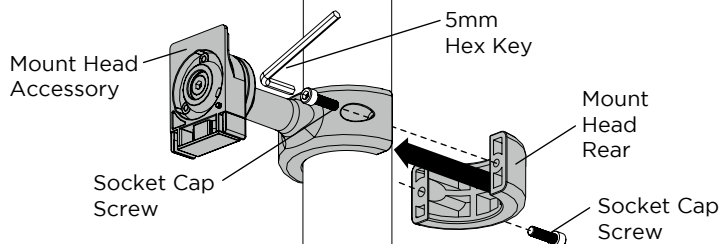


**1.3** Refer to TH-1040-CTS/TH-1040-CTL Installation Instructions, Step 7. Attach display to Pole Assembly.

## TH-1040-CT-DV 1040 Ceiling Tilt Double Vertical

### 1. Remove Back of Existing Mount Head

**1.1** Attach Mount Head Rear to Mount Head Accessory with Socket Cap Screws (x2).



**1.2** Refer to TH-1040-CTS/TH-1040-CTL Installation Instructions, Step 6. Attach VESA plate to display.