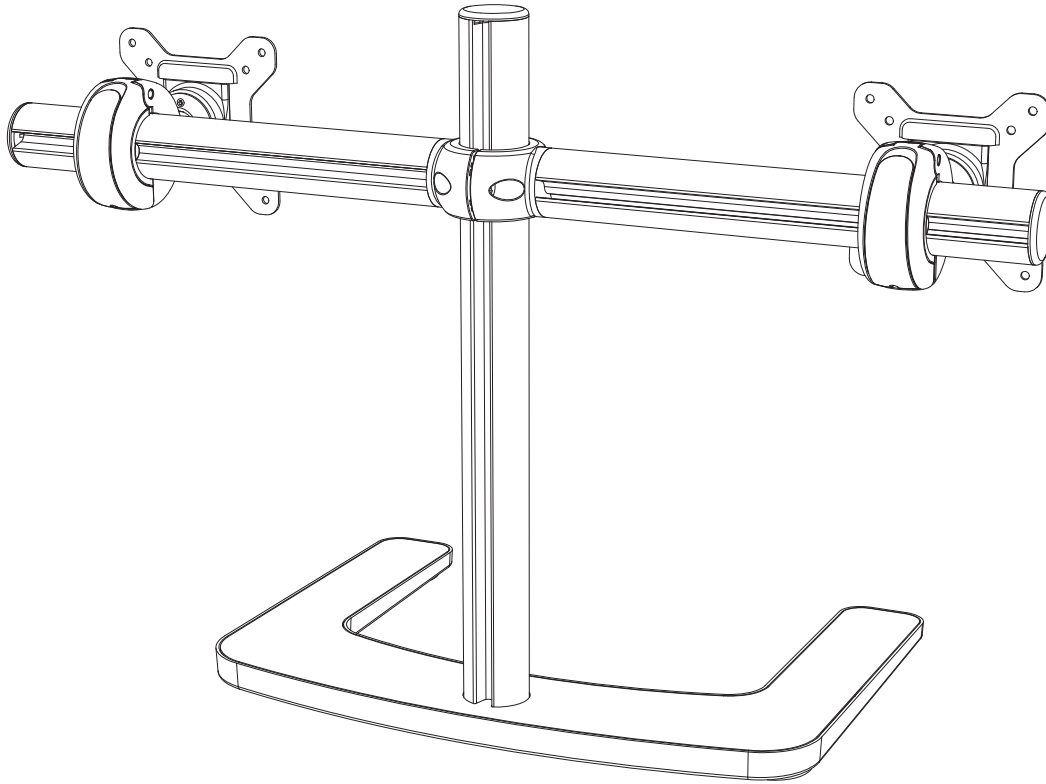


Freestanding Dual Horizontal



FEATURES

- Supports up to two 32" monitors (see dimensions below to confirm monitor size is suitable for this mount).
- Compatible with Grommet Clamp (AC-GC) for bolt through or grommet installation.
- Up to 20° cockpit angle per monitor for ergonomic viewing and curvature continuous alignment of curved monitors (dependent on monitor size).
- Quick monitor release/attachment mechanism.
- Generous cable management guides cables discreetly down to the work surface.
- Switch to a single monitor mount by removing the crossbar and mounting a monitor on the upright post with doughnut from crossbar.

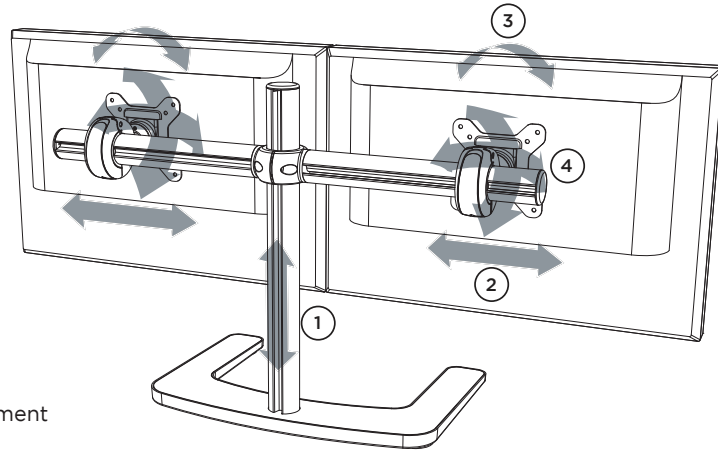
Monitor weight	0-12kg (0 - 26.5lb)*
Suits flat or curved monitors	per monitor
Max Vertical Height	435mm (17.13")
Tilt angle	+/- 20°
Monitor rotation	360°
VESA mounting	75x75 100x100

*Curved monitors, deep devices (such as all-in-one PCs) and offset VESA locations exert additional leverage that can exceed the capacity of the mount even though the monitor weight may be within the stated range. Please contact Atdec if you would like further information.

WARRANTY

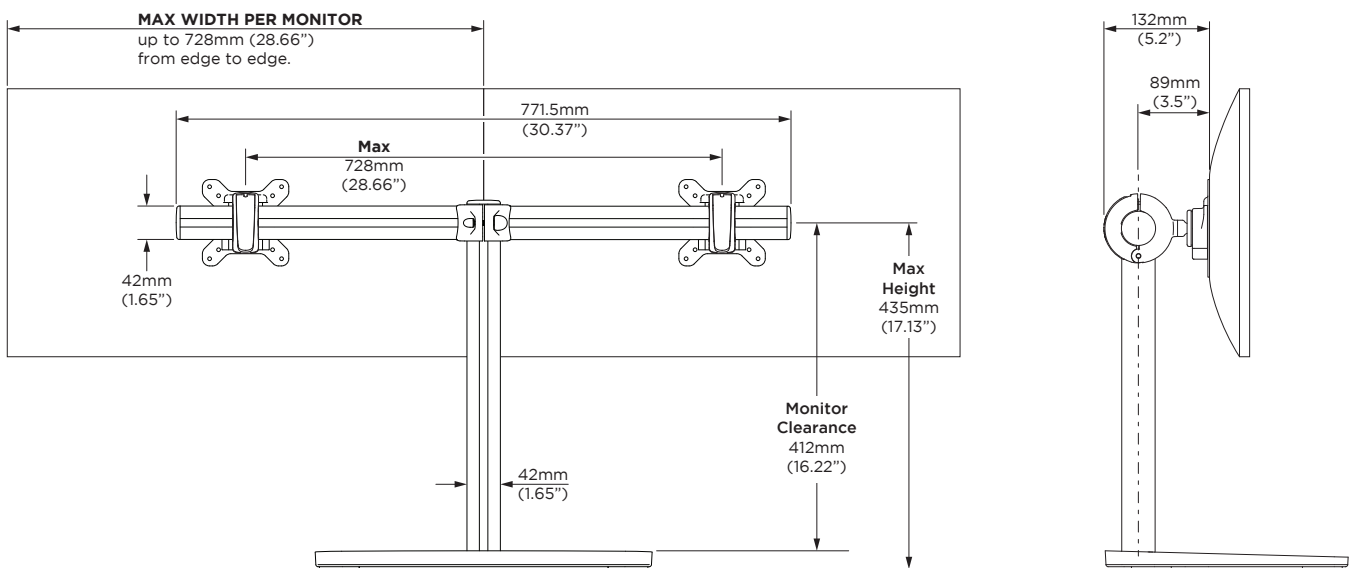
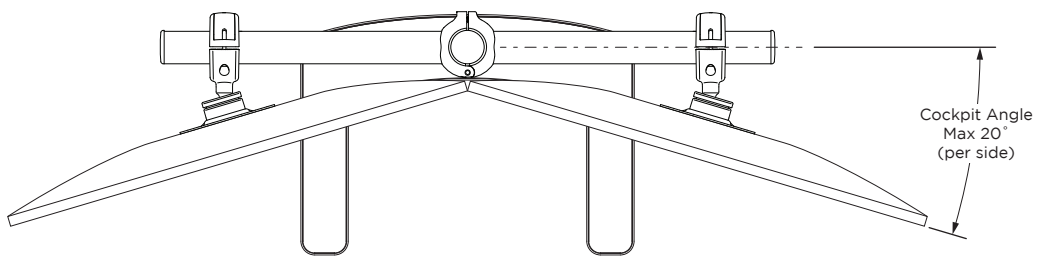
10 years limited

MOVEMENT

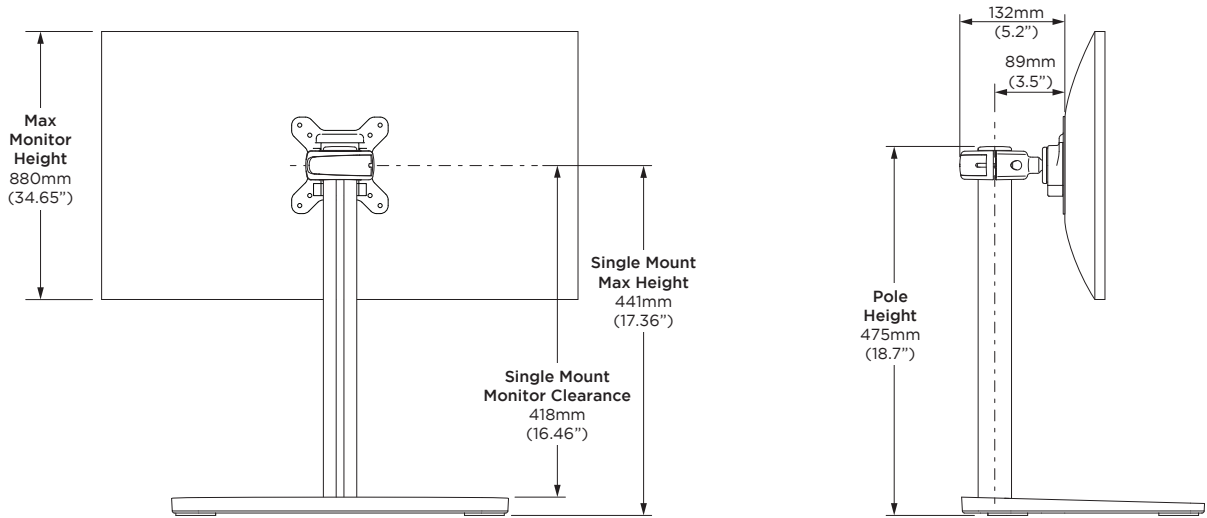


1. Vertical height adjustment
2. Horizontal adjustment
3. 360° Portrait/Landscape adjustment
4. ±20° Pan/Tilt adjustment

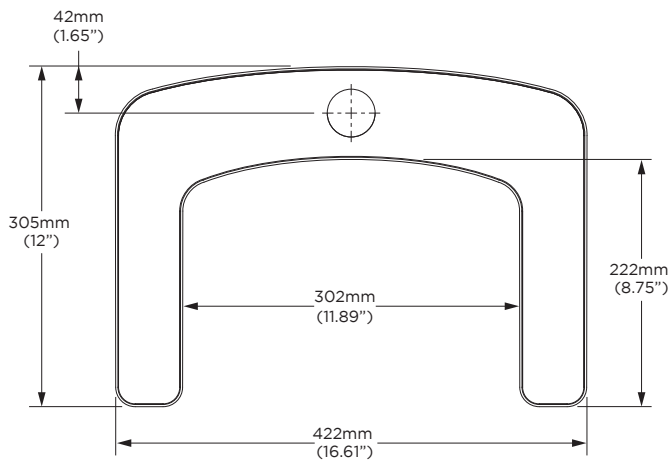
DIMENSIONS - DUAL MONITORS



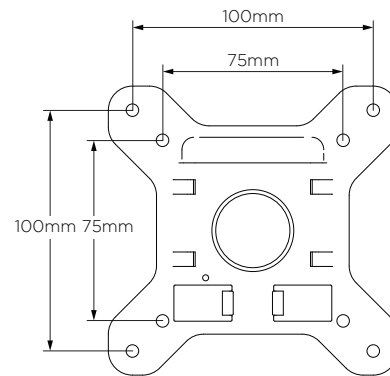
DIMENSIONS - SINGLE MONITOR



BASE DIMENSIONS



VESA DISPLAY MOUNTING OPTIONS



OPTIONAL CONFIGURATION

