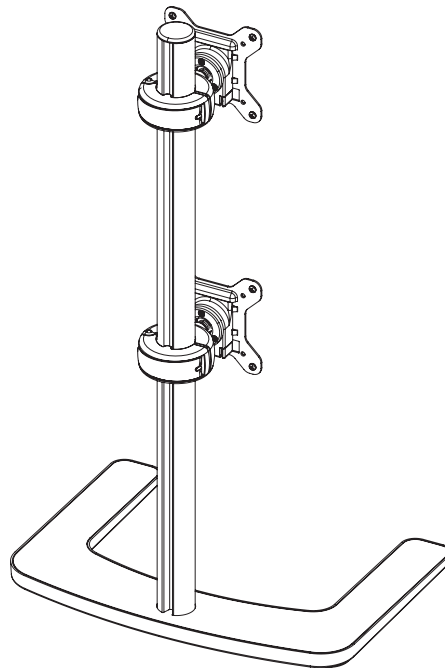
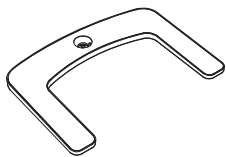


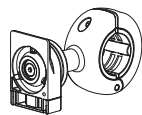
Freestanding Dual Vertical



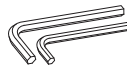
COMPONENT CHECKLIST



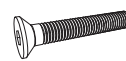
A
Base
(x1)



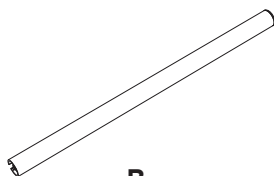
C
VFS Display
Head
(x2)



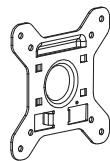
E
3/5mm
Hex Key
(x1 each)



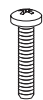
F
M8x50mm
Screw (x1)



B
Upright
Pole
(x1)



D
VESA
Plate
(x2)



G
Mounting
Screw
M4x16mm
(x8)



H
Mounting
Screw
M4x12mm
(x8)



I
Mounting
Screw
M4x10mm
(x8)



J
(Optional)
Security
Screw
(x2)



K
Cable Ball
(x4)



L
Cable Clip
(x3)



REQUIRED TOOLS

- Phillips Head Screwdriver

WEIGHT RANGE Per Monitor

Flat Monitor
0 - 12kg (0 - 26.5lb)

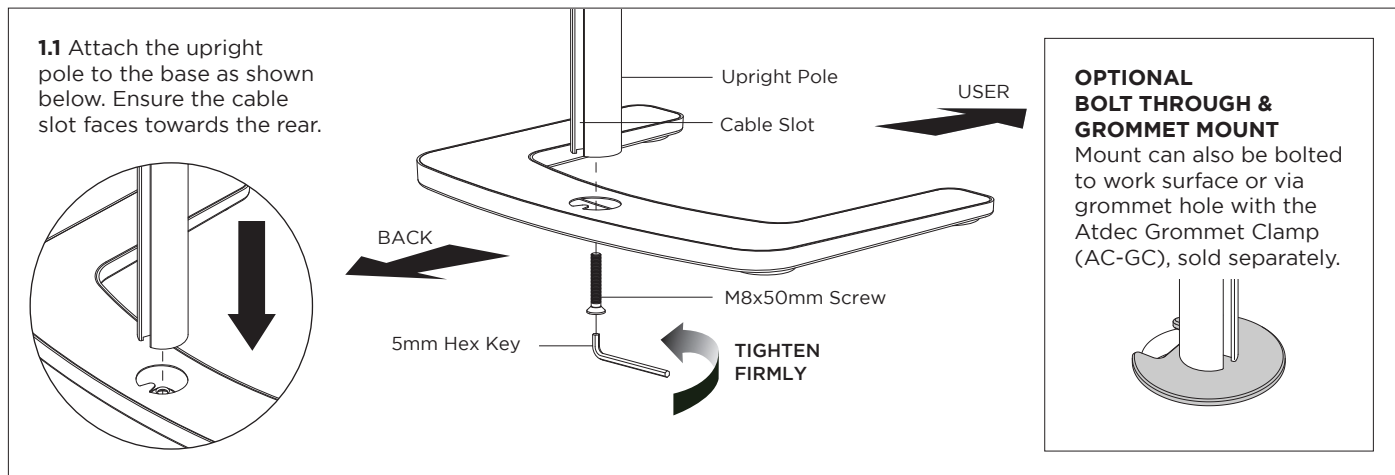
Curved Monitor
0 - 9kg (0 - 20lb)

NOTE
• 120mm (4.75") max overall
monitor depth

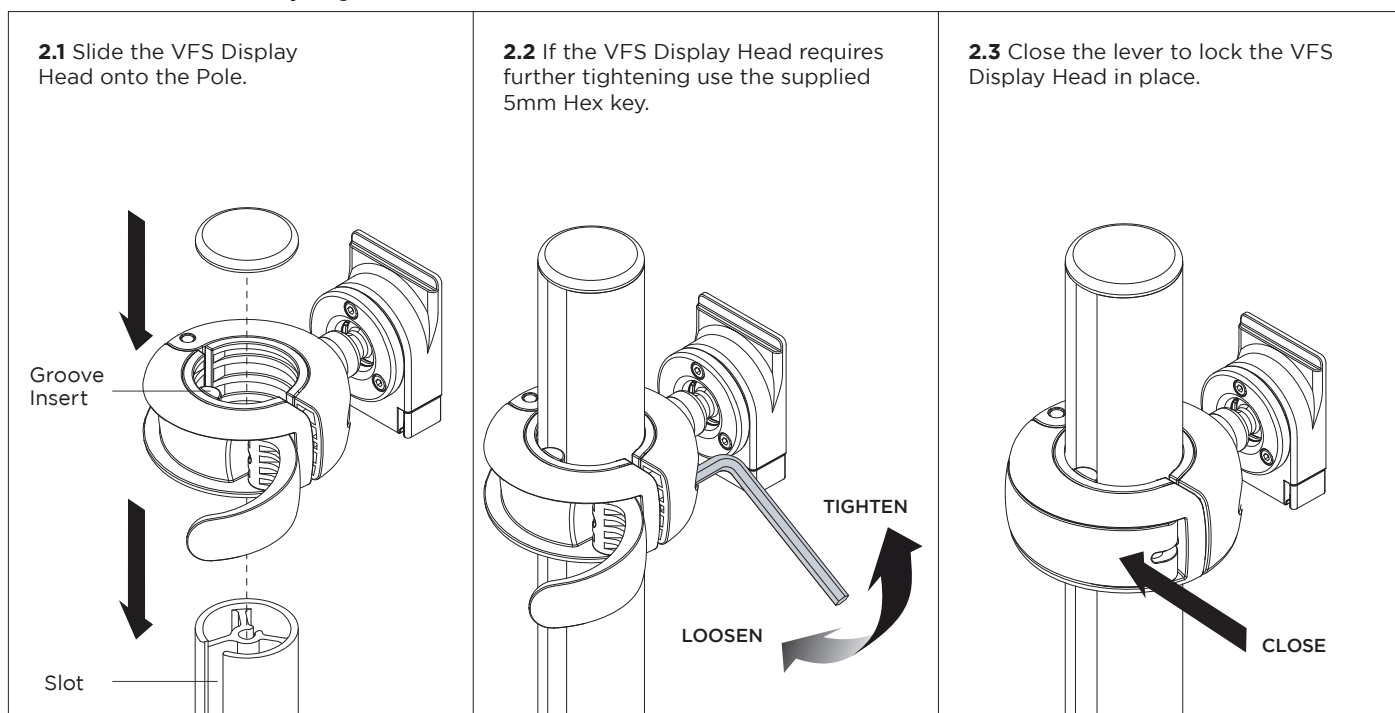
IMPORTANT INFORMATION

- ! Please ensure this product is installed as per these installation instructions.
- ! Each VFS Display Head supports a maximum weight as per above weight range specification.
- ! Each 750mm (29.5") Upright Pole supports a maximum of two VFS Display Heads.
- ! This product supports VESA mounting hole configurations: 75x75mm and 100x100mm.
- ! The manufacturer accepts no responsibility for incorrect installation.
- ! This product is not suitable for outdoor use.
- ! Do not use this product for mobile applications.

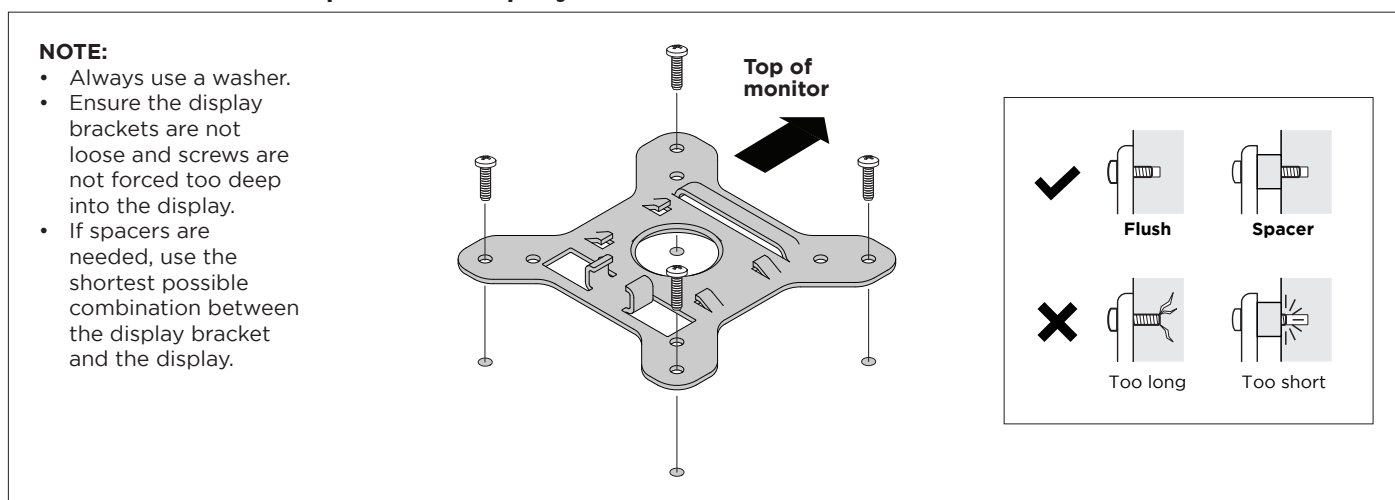
1. Attach Upright Pole to Base



2. Attach VFS Display Heads to the Pole (Ensure the cable slot faces toward the rear)

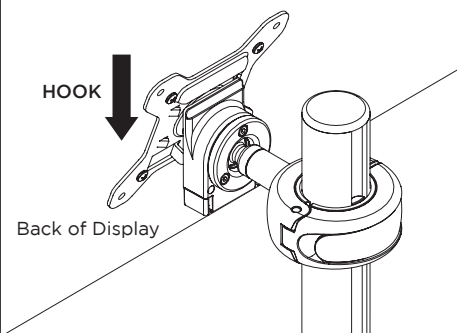


3. Attach the VESA plate to displays

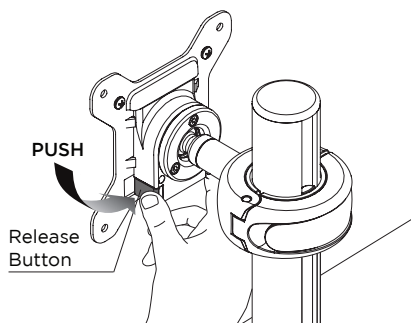


4. Attach your Display to the VFS Display Head

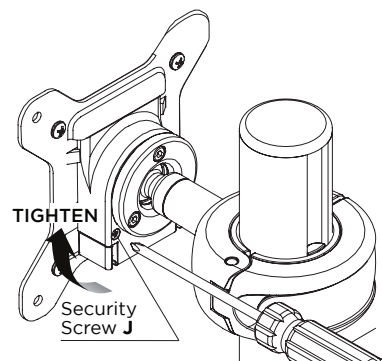
4.1 Hook the top of the VESA plate onto the Display Head Mount.



4.2 Press and hold the Release Buttons. Gently push bottom of VESA Plate into Display Head Mount. Release Buttons to lock in place.



4.3 (Optional) Insert the security screw using a Phillips Head Screwdriver.

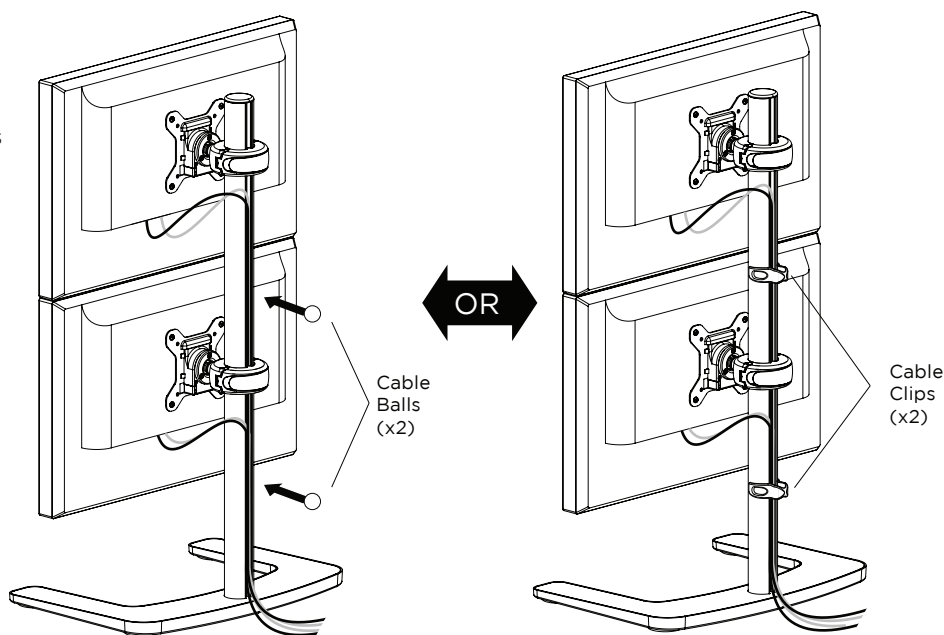


5. Cable Management

Connect cables to your displays, routing them down to the rear of the poles.

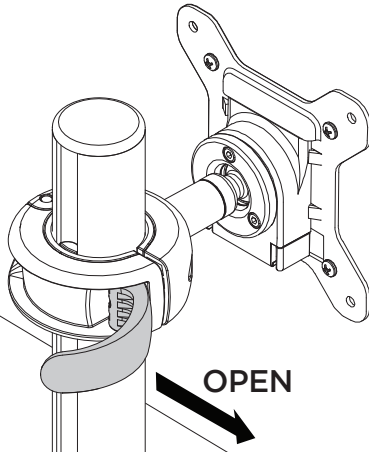
Then route them down to the table by inserting them into the cable slots in the crossbar and upright pole. Use either the cable balls or cable clips to secure them in place as shown.

NOTE: Ensure enough slack is left in cables to allow for movement. When the slot in each pole cannot be used, use the supplied Cable Clips to secure the cables.

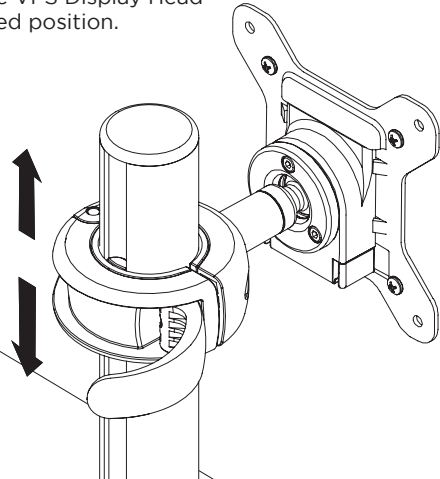


ADJUSTMENTS

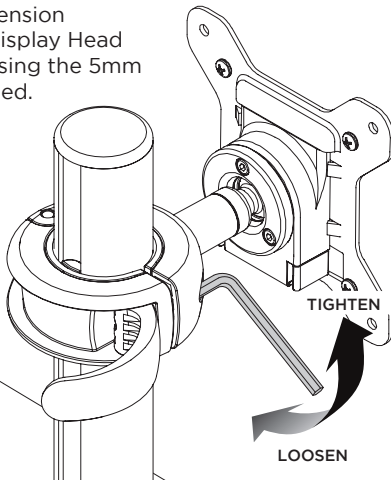
Display Height



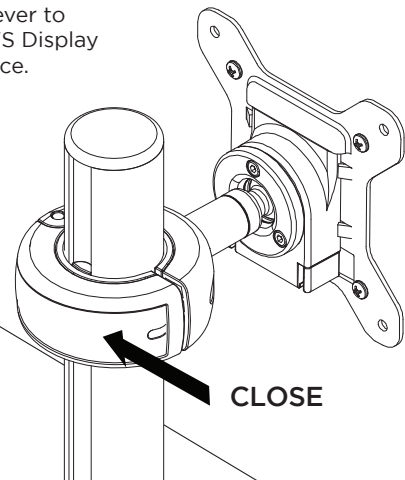
Slide the VFS Display Head to desired position.



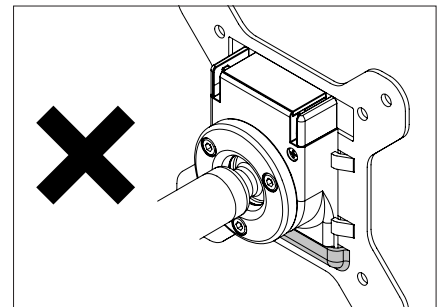
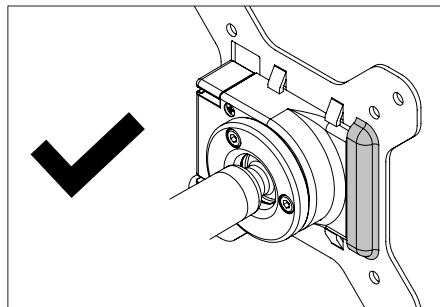
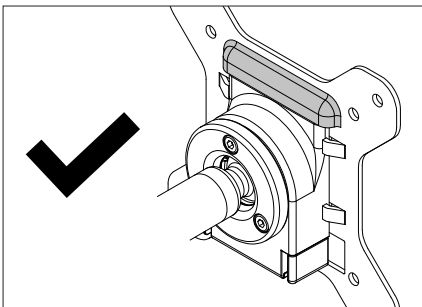
To adjust the tension between the Display Head and the Pole using the 5mm Hex Key supplied.



Close the lever to lock the VFS Display Head in place.



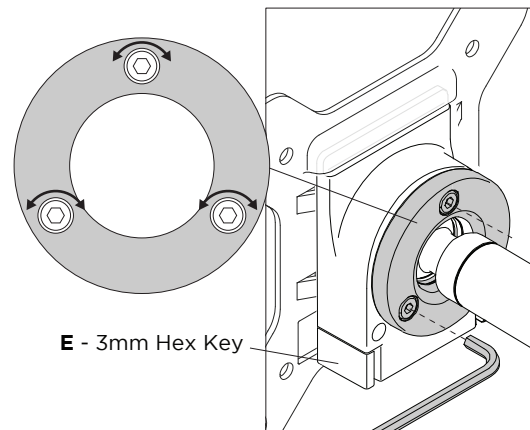
WARNING: When rotating the display, ensure the hook detail on the display bracket never faces downwards.



Ball Joint Tension

If the display is too loose or too stiff to position, use the 3mm Hex Key **E** to **evenly** tighten or loosen the ball joint screws in small increments to the desired tension.

NOTE: Ball joint tension may need to be loosened, adjusted and tightened to set the desired position.



E - 3mm Hex Key