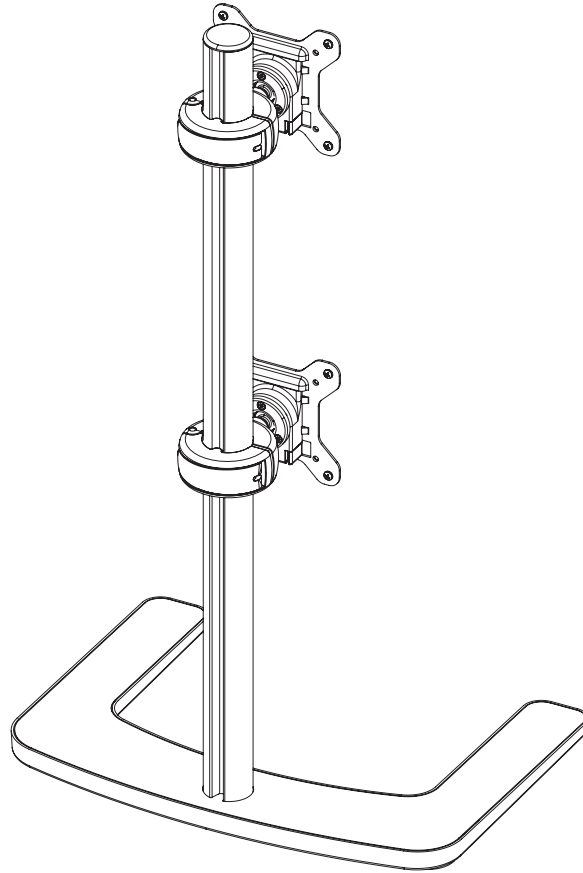


Freestanding Dual Vertical



FEATURES

- Supports two displays up to 38" (see dimensions below to confirm monitor size is suitable for this mount).
- Quick display release/attachment mechanism.
- Generous cable management guides cables discreetly down to the work surface.
- Switch to a single display mount by removing the second VFS Display Head.
- Compatible with Grommet Clamp (AC-GC) for bolt through or grommet installation.

Display weight

Flat

Curved

per monitor

0-12kg (0 - 26.5lb)*

0-9kg (0 - 20lb)*

• 120mm (4.75") max overall monitor depth

Max Vertical Height

741mm (29.17")

Tilt angle

+/- 20°

VESA mounting

75x75 | 100x100

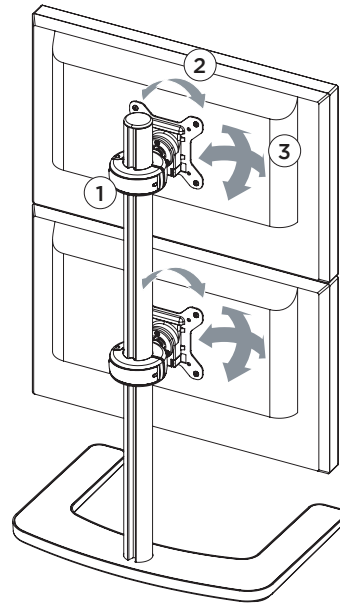
*Curved displays, deep devices (such as all-in-one PCs), VESA mounted accessories (such as mini PC brackets and mounts), and offset VESA locations exert additional leverage that can exceed the capacity of the mount even though the display weight may be within the stated range. Please contact Atdec if you would like further information.

WARRANTY

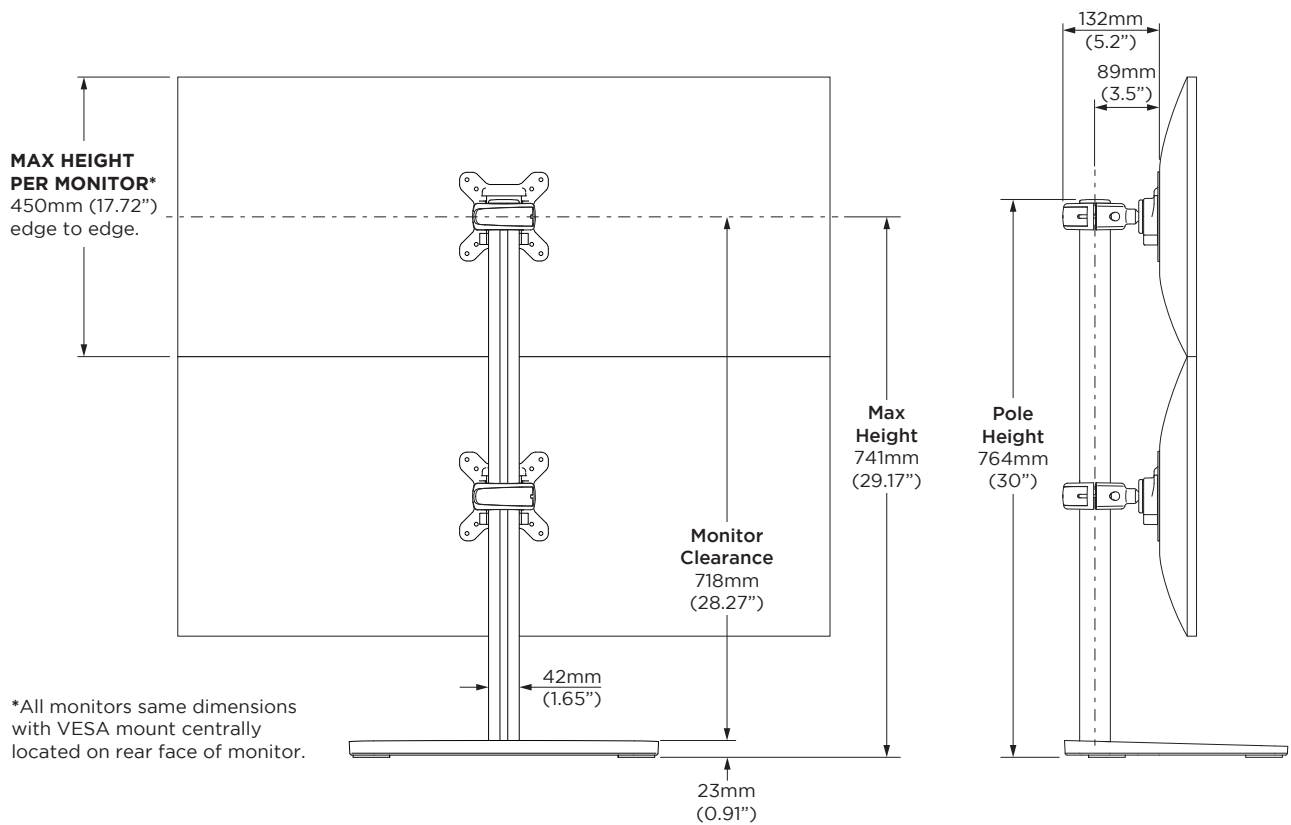
10 years limited

MOVEMENT

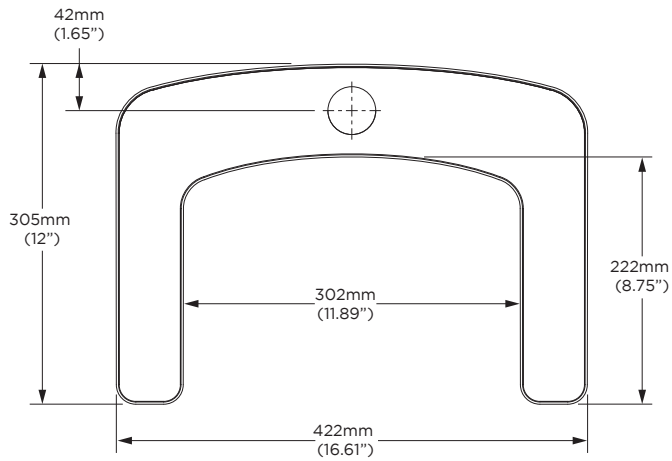
1. Vertical height adjustment
2. Landscape to portrait rotation
3. $\pm 20^\circ$ Pan/Tilt adjustment



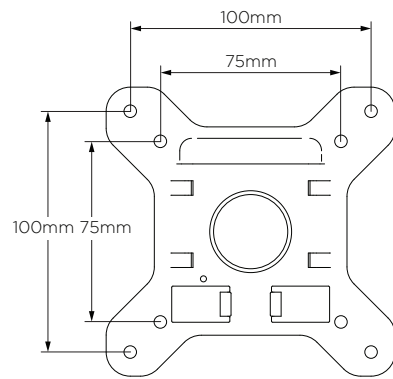
DIMENSIONS - DUAL MONITORS



BASE DIMENSIONS



VESA DISPLAY MOUNTING OPTIONS



OPTIONAL CONFIGURATION

