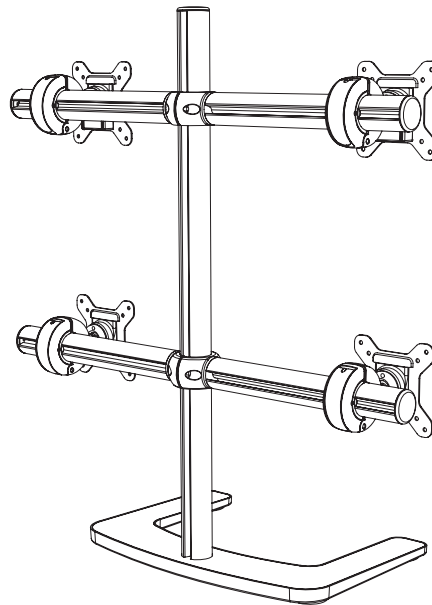
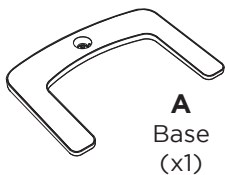


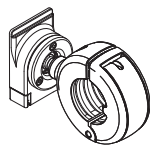
Freestanding Quad Monitor Mount



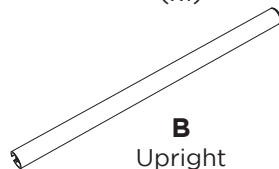
COMPONENT CHECKLIST



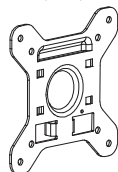
A
Base
(x1)



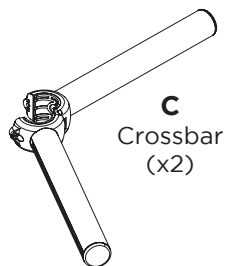
D
VFS Display
Head
(x4)



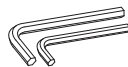
B
Upright
Pole
(x1)



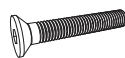
E
VESA
Plate
(x4)



C
Crossbar
(x2)



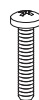
F
3/5mm
Hex Key
(x1 each)



G
M8x50mm
Screw (x1)



H
M6x25mm
Cap Screw
(x2)



I
Mounting
Screw
M4x16mm
(x16)



J
Mounting
Screw
M4x12mm
(x16)



K
Mounting
Screw
M4x10mm
(x16)



L
(Optional)
Security Screw
(x4)



M
Cable Ball
(x8)



N
Cable Clip
(x4)



REQUIRED TOOLS

- Phillips Head Screwdriver

WEIGHT RANGE Per Monitor

Flat Monitor
0 - 8kg (0 - 17.6lb)

Curved Monitor
0 - 6kg (0 - 13.5lb)

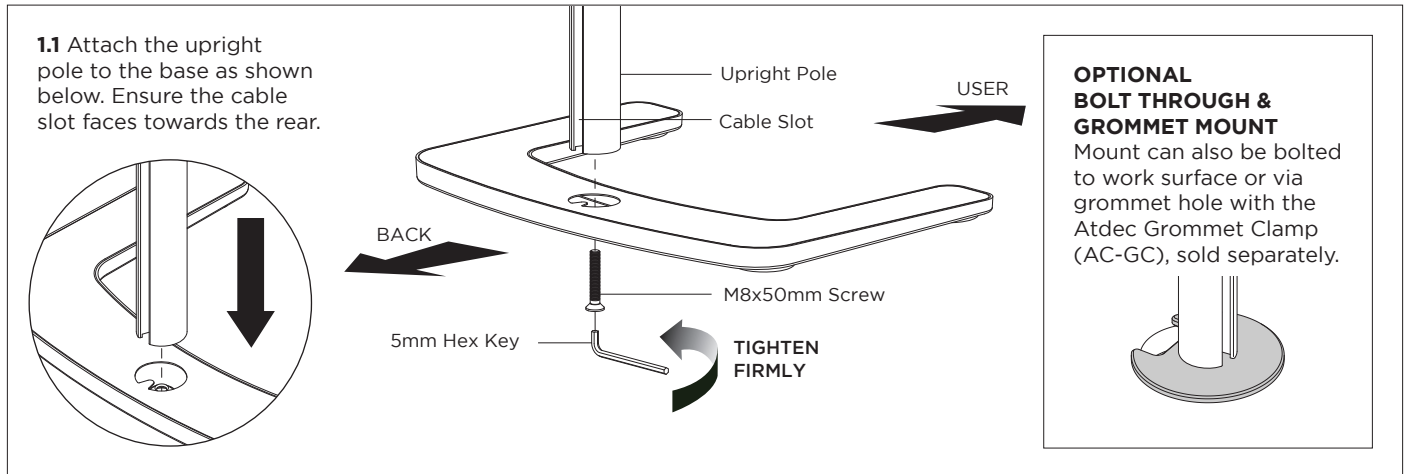
NOTE

- 120mm (4.75") max overall monitor depth.
- 1kg (2.2lb) maximum weight difference between monitors.

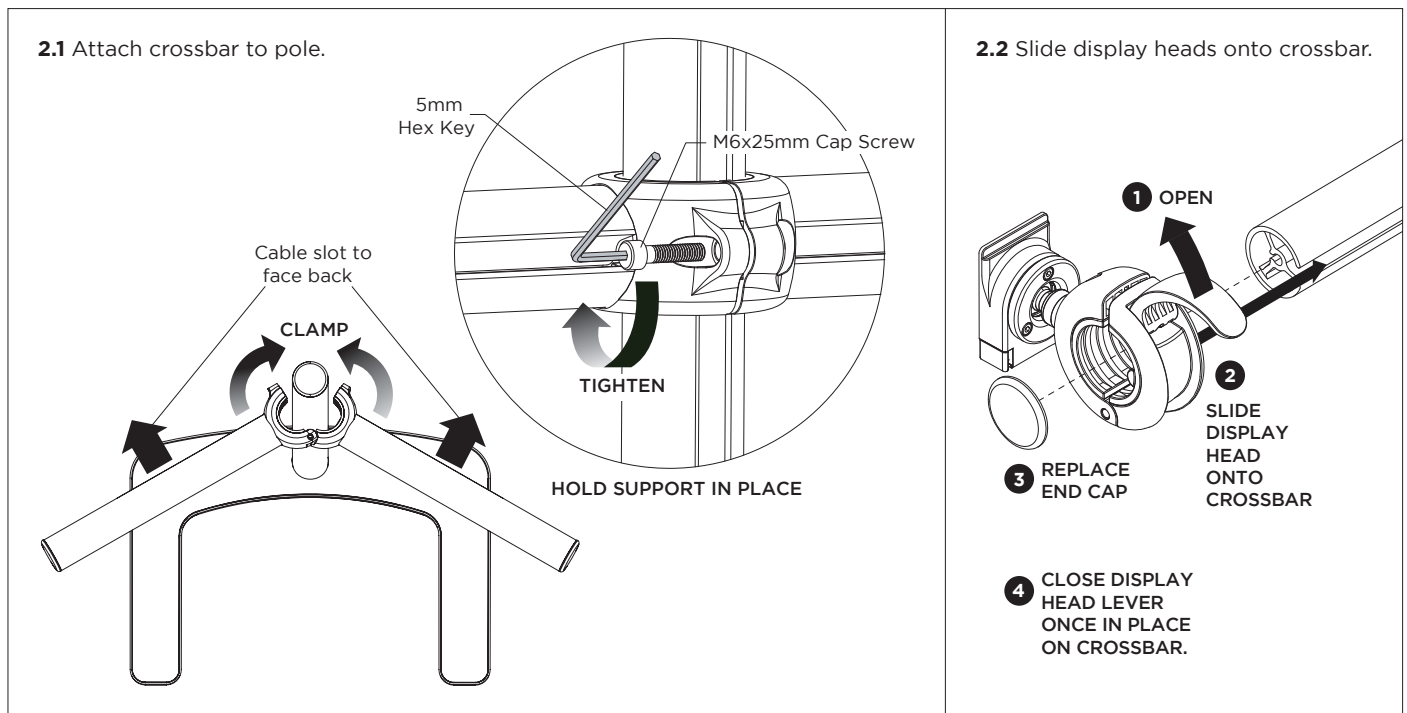
IMPORTANT INFORMATION

- ! Please ensure this product is installed as per these installation instructions.
- ! Each VFS Display head supports a maximum weight as per above weight range specification.
- ! Each 750mm (29.5") Upright Pole supports a maximum of two VFS Display Heads.
- ! This product supports VESA mounting hole configurations: 75x75mm and 100x100mm.
- ! The manufacturer accepts no responsibility for incorrect installation.
- ! This product is not suitable for outdoor use.
- ! Do not use this product for mobile applications.

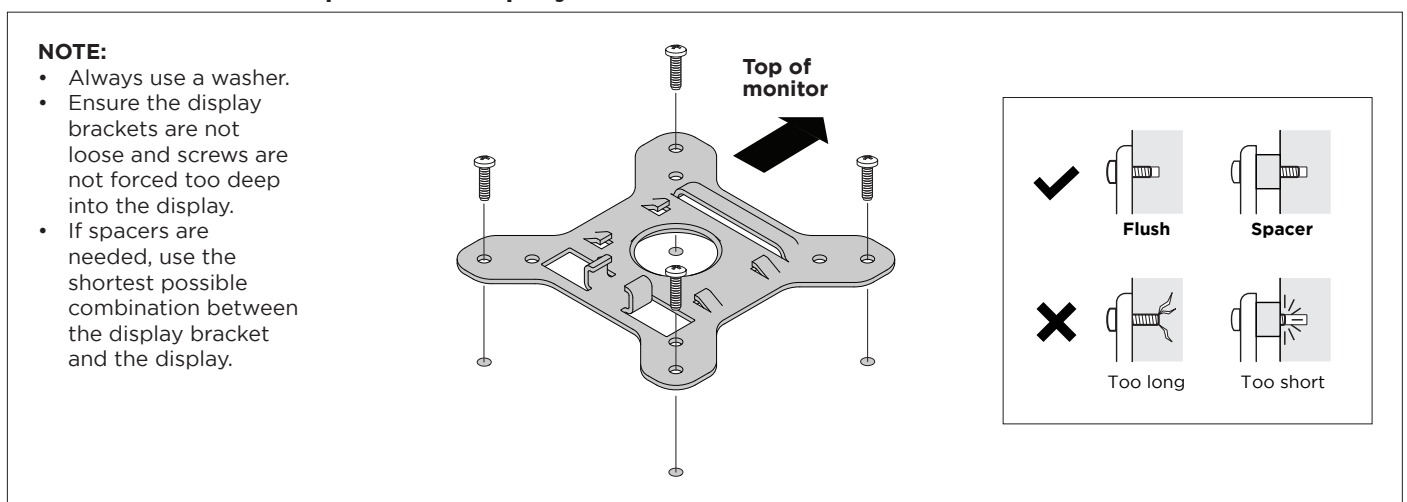
1. Attach Upright Pole to Base



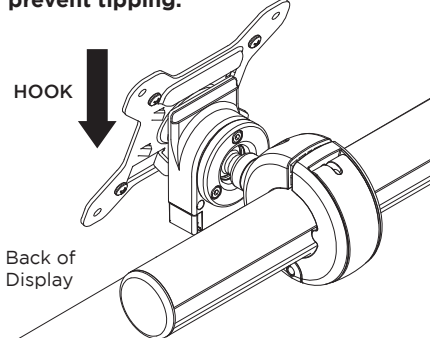
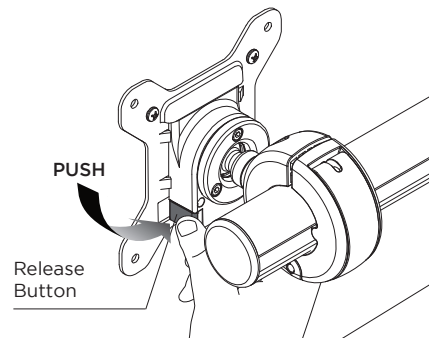
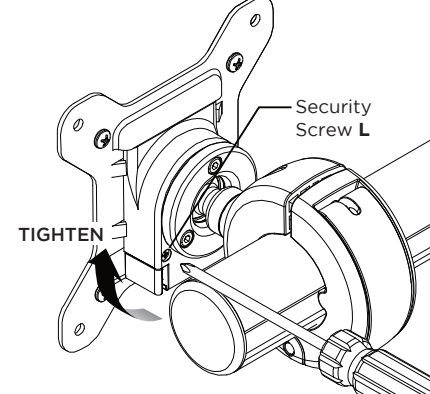
2. Attach crossbar and display heads



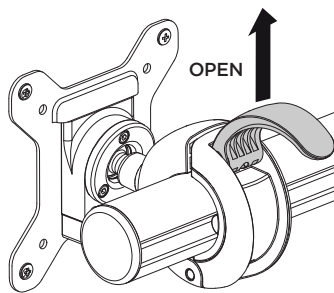
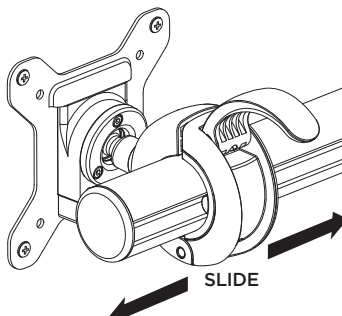
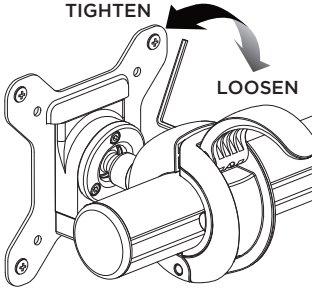
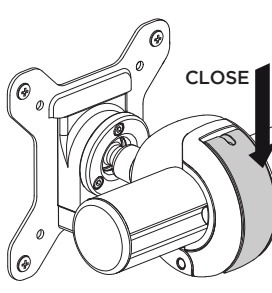
3. Attach the VESA plate to displays

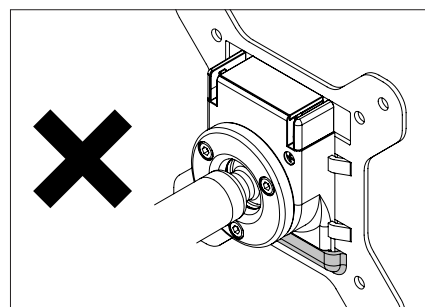
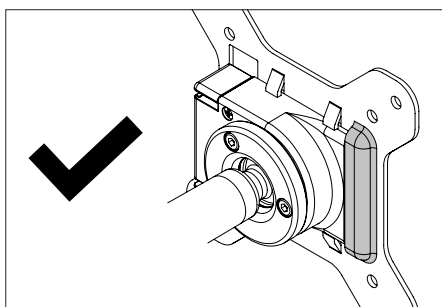
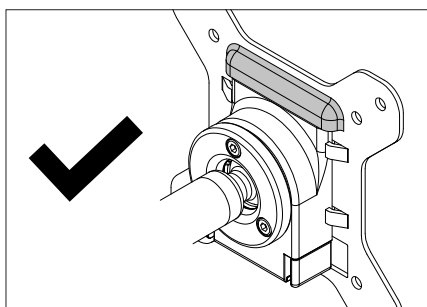


4. Attach your display to the VFS display head

<p>4.1 Hook the top of the VESA plate onto the display head. WARNING: While mounting the first monitor, carefully support mount to prevent tipping.</p> 	<p>4.2 Press and hold the two buttons on the display head. Gently push bottom of VESA plate into display head. Release buttons to lock in place.</p> 	<p>4.3 (Optional) Insert the security screw using a Phillips Head Screwdriver.</p> 
---	--	---

ADJUSTMENTS

<p>Display Height</p> 	<p>Slide the display head to desired position. NOTE: Support monitor weight to aid sliding.</p> 	<p>To adjust the tension between the display head and the pole using the 5mm Hex Key F supplied.</p> 	<p>Close the lever to lock the display head in place.</p> 
--	---	---	--

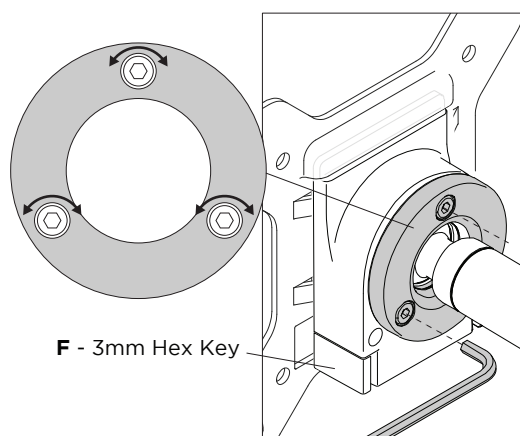


WARNING: When rotating the display, ensure the hook detail on the display bracket never faces downwards.

Ball Joint Tension

If the display is too loose or too stiff to position, use the 3mm Hex Key **F** to **evenly** tighten or loosen the ball joint screws in small increments to the desired tension.

NOTE: Ball joint tension may need to be loosened, adjusted and tightened to set the desired position.

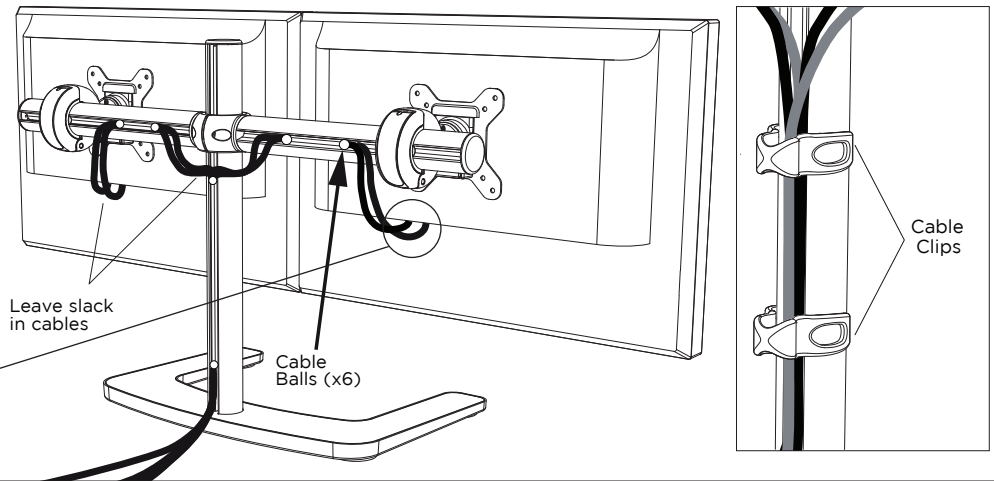


5. Cable Management

Connect cables to your displays, routing them down to the rear of the poles.

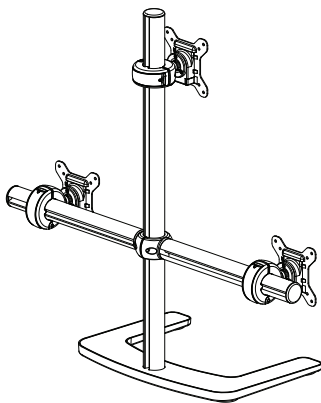
Then route them down to the table by inserting them into the cable slots in the crossbar and upright pole. Use either the cable balls or cable clips to secure them in place as shown.

NOTE: Ensure enough slack is left in cables to allow for movement. When the slot in each pole cannot be used, use the supplied Cable Clips to secure the cables.

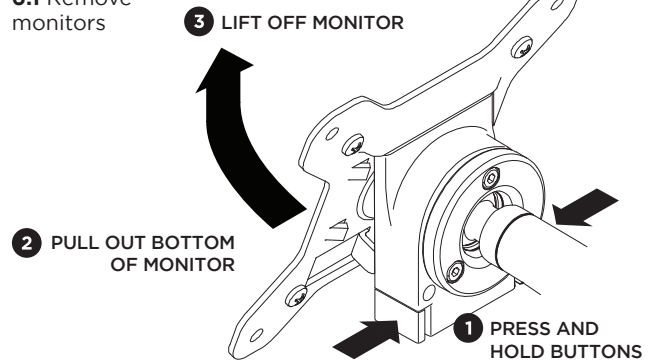


6. (OPTIONAL) Switch to a triple, dual or single monitor mount

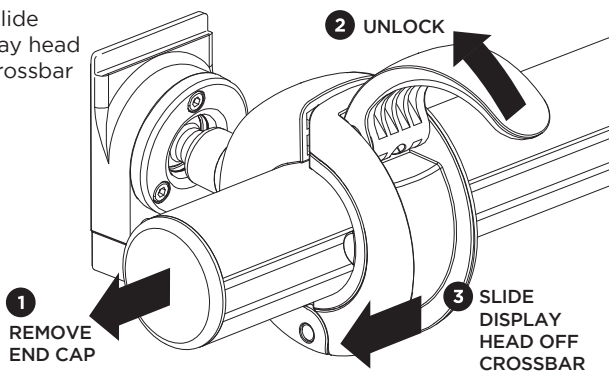
Example



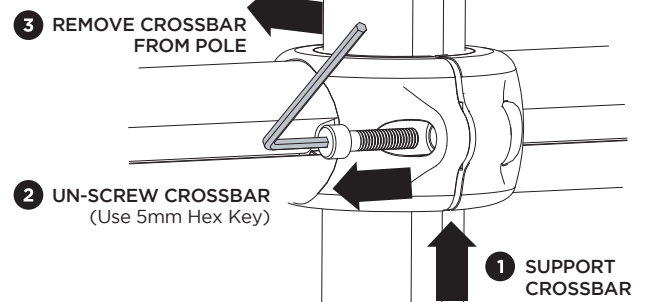
6.1 Remove monitors



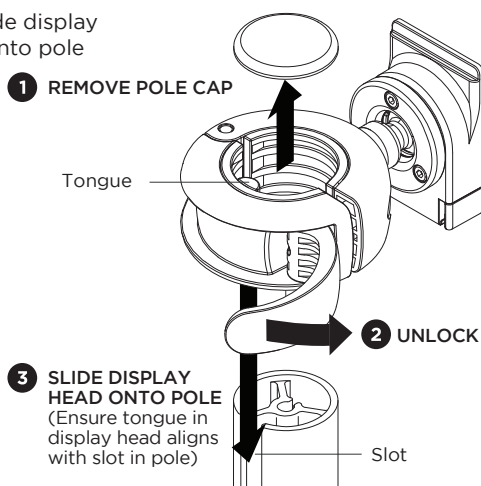
6.2 Slide display head off crossbar



6.3 Remove crossbar from pole



6.4 Slide display head onto pole



6.5 Lock display head onto pole

