

# Ceiling mount

TH-3070-CT FOR SINGLE HEAVY DISPLAYS

**TH-3070-CT for medium & large displays.** Engineered for commercial environments, it has a telescopic pole & display rotation. For digital signage & kitchen display systems.

## Strong & adaptive ceiling mounts

### Telescopic pole

<b>TH-3070-CTS</b> 550 to 900mm 21.65" to 35.43"	<b>TH-3070-CTL</b> 1050 to 1900mm 41.34" to 74.8"
--	---

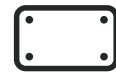
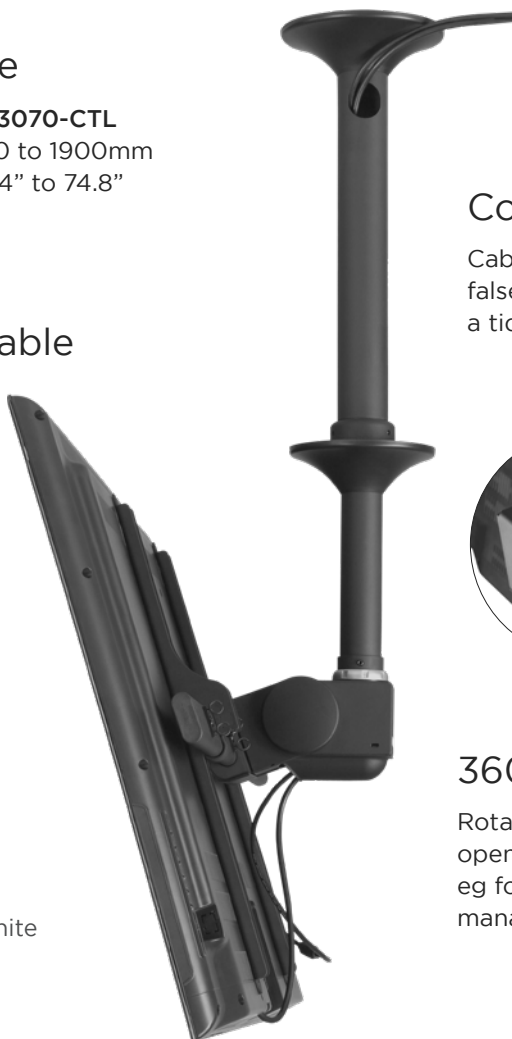
### Bump bar capable

TH-3070-CT is used with bump bars in QSRs (contact us for verification of your setup)

### Display tilt

Downward tilt to 20°  
Upward tilt to 10°

Available in black or white



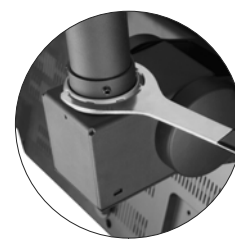
200-800 wide  
200-500 high  
UNIVERSAL



65kg  
(147lb)

### Concealed cables

Cables are run inside the pole & the false ceiling cover (included) ensures a tidy appearance



### 360° rotation

Rotation may be fixed or left open to rotate the display, eg for use with QSR order management systems

### Landscape & portrait



**10 Year Warranty**

## Strong & adaptive ceiling mounts

### Short pole

550 to 900mm  
21.65" to 35.43"



### Long pole

1050 to 1900mm  
41.34" to 74.8"



### Ordering guide

#### White

Short: TH-3070-CTSW

Long: TH-3070-CTLW

#### Black

Short: TH-3070-CTS

Long: TH-3070-CTL

[SEE TH-3070-CT ONLINE](#)

### Ora monitor arms

For single and dual monitor setups in commercial workspaces. The new go-to universal monitor arm, with high performance and fast installation.



Atdec Uncover™ is where our infinite mounting possibilities become your specific mounting solutions.

[Call us to discuss your next project](#)

**ATDEC** Infinite Mounting Possibilities

#### Australia

+61 2 8729 5000  
support@atdec.com  
www.atdec.com.au

#### North America

888 303 4252  
usasales@atdec.com  
www.atdec.com

#### Europe

+44 3330 117725  
sales@atdec.co.uk  
www.atdec.co.uk

#### New Zealand

0800 887 298  
nz@atdec.com  
www.atdec.co.nz

#### Asia

salesasia@atdec.com