

SD-DP-420
SD-DP-750
SD-DP-1150

Technical Specification



Donut Pole | 420mm / 750mm / 1150mm

General Features

Display Compatibility:

Spacedec Donut Pole is compatible with most Flat Panel Displays between 12" (30cm) and 24" (61cm) that feature either 75mm x 75mm or 100mm x 100mm VESA mounting hole patterns

Display Weight Compatibility:

Each Quickshift Donut supports a maximum weight of 12kg (26.5lbs)

- Donut Pole 420mm supports a total of 12kg (26.5lbs)
- Donut Pole 750mm supports a total of 24kg (53lbs)
- Donut Pole 1150mm supports a total of 36kg (79.5lbs)

Mounting Option:

Spacedec Donut Pole Single, Double and Triple includes Bolt Through and Desk Clamp mounting options

- Desk Clamp suits desktop thicknesses from 12mm (0.5") - 38mm (1.5")
- Bolt Through suits desktop thicknesses from 12mm (0.5") - 40mm (1.5")

Cable Management:

Cable Slot, Cable Clips and Cable Balls (included in package)

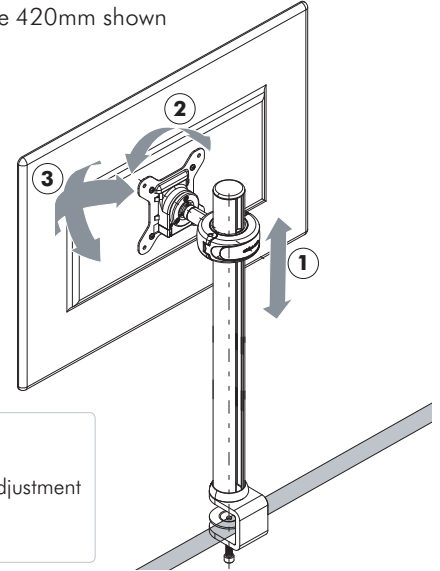
Colour:

- Pole, black textured powdercoat
- Quickshift Donut, matt black

Warranty:

10 years limited

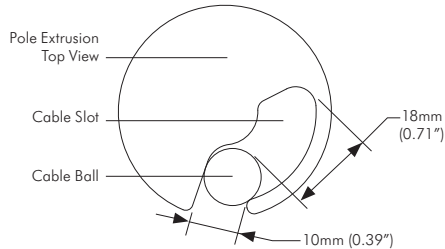
Donut Pole 420mm shown



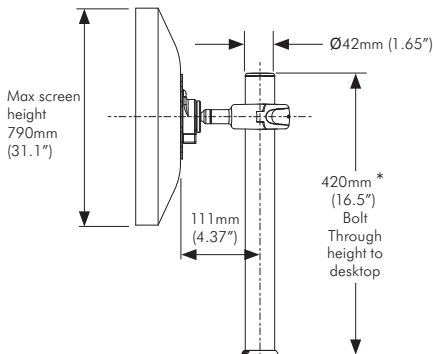
- 1 Vertical height adjustment
- 2 360° Portrait/Landscape adjustment
- 3 40° Pan/Tilt adjustment

Overall Dimensions

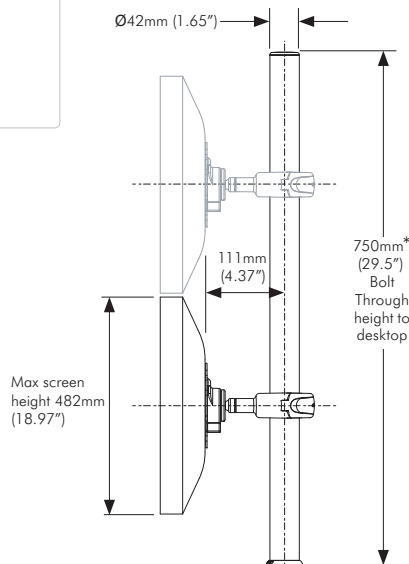
Cable Management Slot Detail



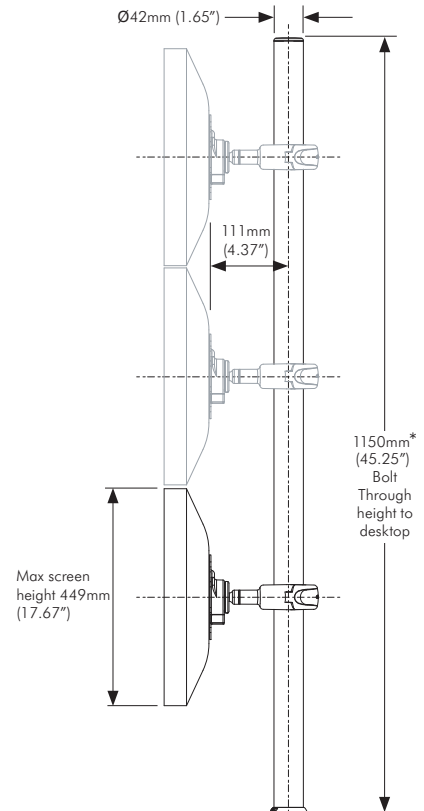
NOTE: Only one Quickshift Donut will be supplied with each Pole. Additional Quickshift Donuts are supplied separately.



DONUT POLE 420mm



DONUT POLE 750mm



DONUT POLE 1150mm

* The Desk Clamp mounting option increases the total height of Spacedec Donut Pole by 10mm (0.39")