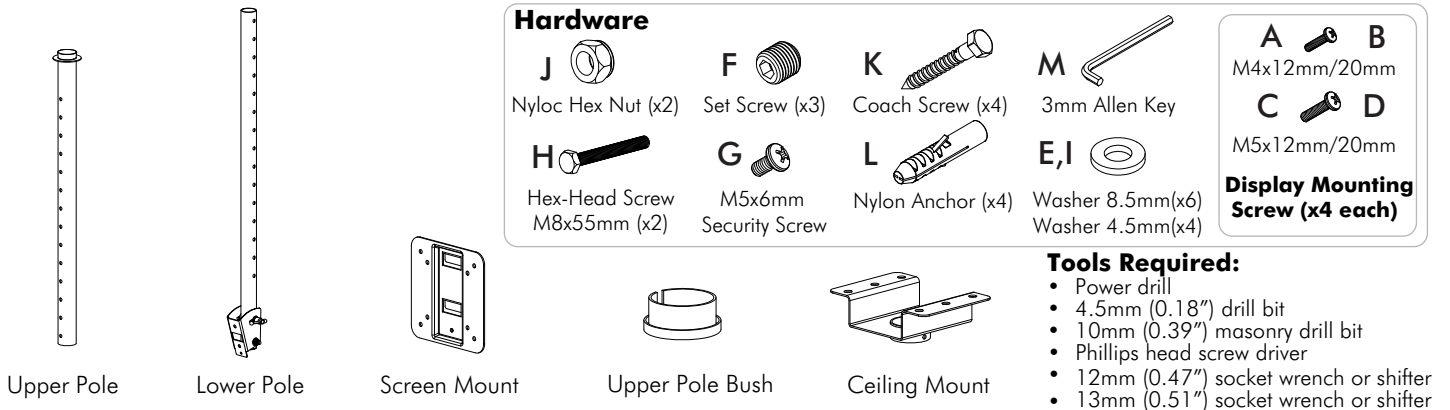


Component Checklist



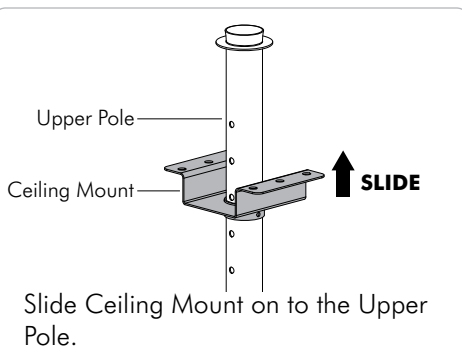
IMPORTANT INFORMATION:

- ! **IMPORTANT - Install 1026 Ceiling Tilt Mount per Installation Instructions.**
- ! This product supports a maximum load of 15kg (33lbs).
- ! This product supports VESA mounting hole configurations 75x75mm and 100x100mm.
- ! The manufacturer accepts no responsibility for incorrect installation.

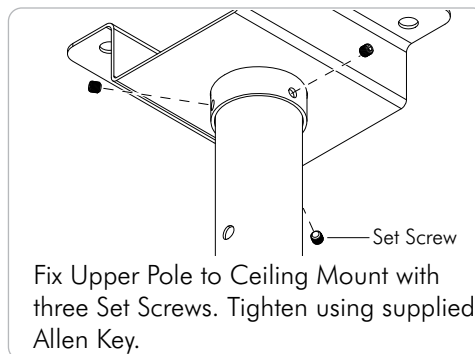
Step 1. Check Components

Check you have received all parts against the Component Checklist and Hardware above.

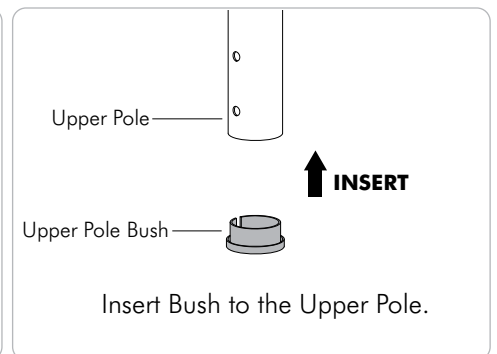
Step 2. Slide Ceiling Mount



Step 3. Fix Upper Pole

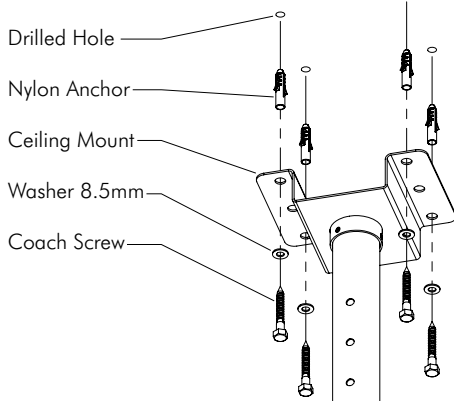


Step 4. Insert Bush



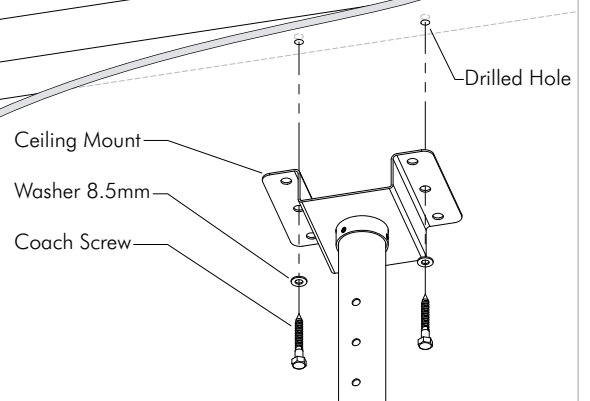
Step 5. Install Ceiling Mount to the Ceiling

Masonry Ceiling



- Drill four 10mm (0.39") diameter holes, 61mm (2.4") deep.
- Secure the mounting plate to the ceiling using the Coach Screws and Nylon Anchors supplied.

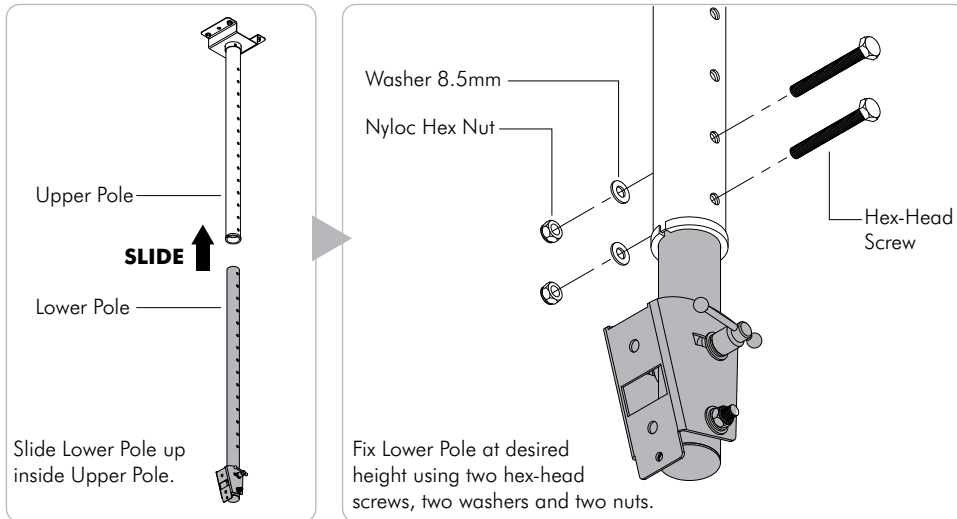
Timber Stud Ceiling



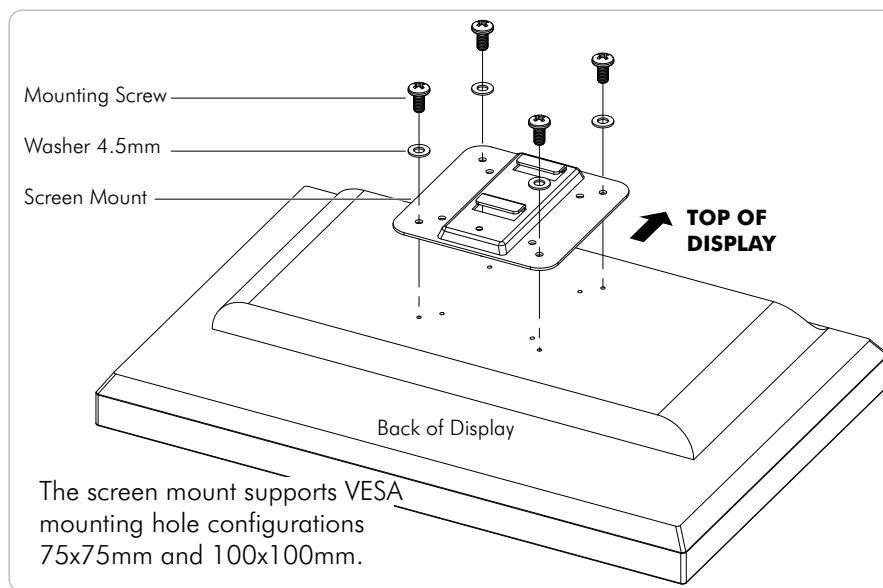
- Drill two 4.5mm (0.18") diameter holes, 61mm (2.4") deep.
- Secure the mounting plate to the ceiling using the Coach Screws supplied.

NOTE: Use a stud finder to accurately locate the centre of the stud. Ensure that all screws fix securely into stud.

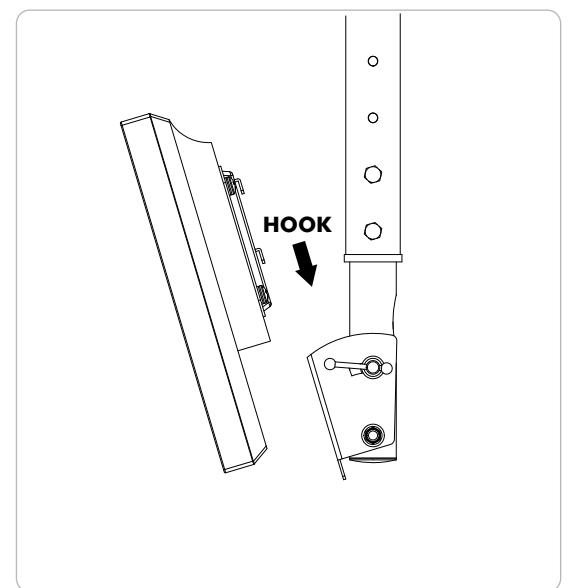
Step 6. Slide Lower Pole up inside Upper Pole and fix to desired height



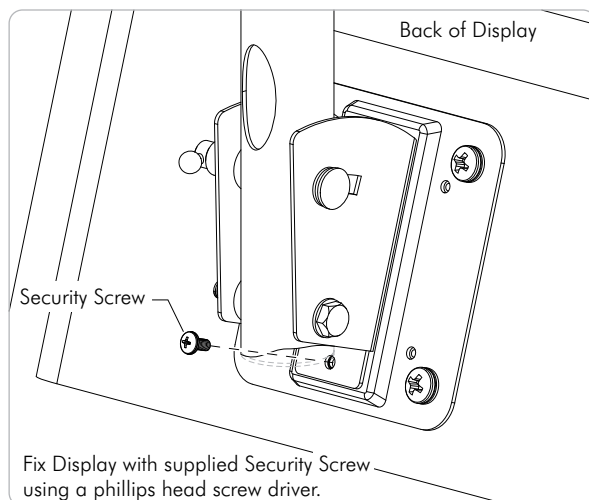
Step 7. Attach Screen Mount to Display



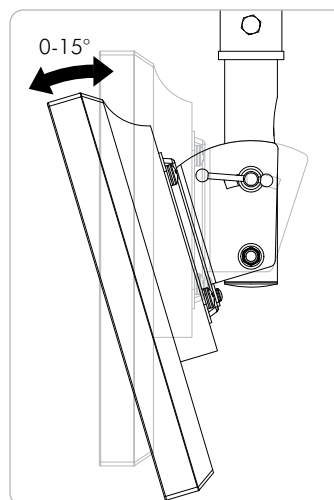
Step 8. Attach Display to Lower Pole



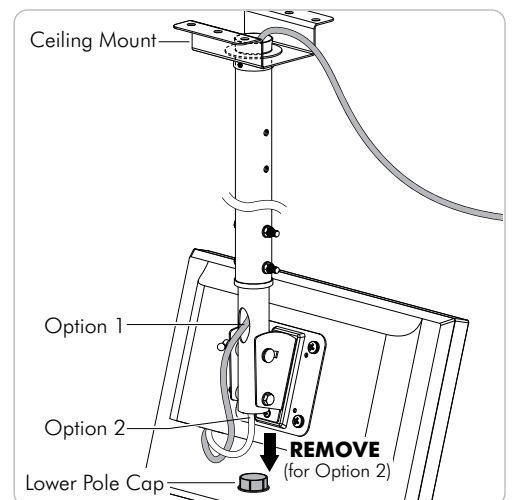
Step 9. Fix Display with Security Screw



Step 10. Tilt Adjustment



Step 11. Cable Management



Installation Complete