

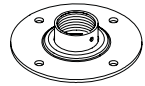
TH-1040-CTS  
 TH-1040-CTL  
 TH-1040-CTSW  
 TH-1040-CTLW

**ATDEC** Infinite  
 Mounting  
 Possibilities

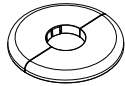
# Installation Instructions

Ceiling Tilt Short Mount / Ceiling Tilt Long Mount

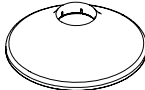
## Component Checklist



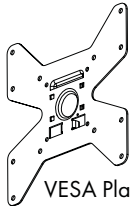
Mounting Plate



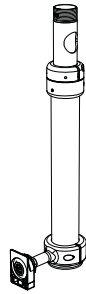
False Ceiling Cover



Mounting Plate Cover



VESA Plate



Pole Assembly

### Tools Required:

- Power drill
- 7mm (1/4") drill bit
- 12mm (1/2") masonry drill bit
- Phillips head screw driver
- 17mm (11/16") Socket Wrench or Shifter

### Hardware



Coach Screw (x4)



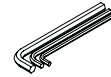
Nylon Anchor (x4)



M4/5 Spacer (x4)



(optional) Security Screw



2.5/3/5mm  
 Allen Key



M4/5/10 Washer  
 (x4 each)



M6/8 Spacer (x4)



Set Screw

### Display Mounting Screws



M4x16/25mm (x4 each)



M5x16/25mm (x4 each)



M6x16/30mm (x4 each)



M8x16/30mm (x4 each)

## IMPORTANT INFORMATION:

**! IMPORTANT - Install 1040 Ceiling Tilt Mount (Short/Long) as per Installation Instructions.**

! This product supports a maximum load of 25kg (55lbs).

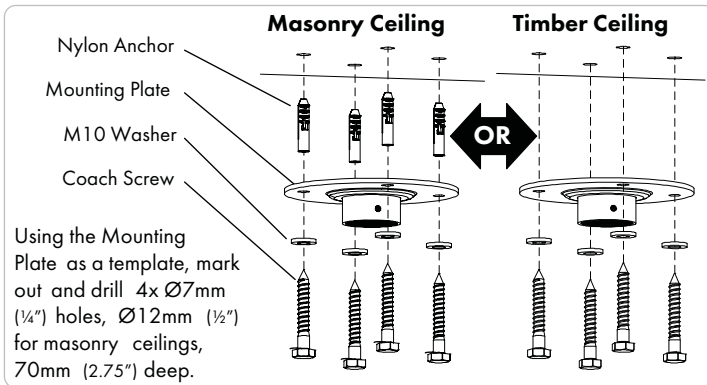
! This product supports VESA mounting hole configurations 75x75mm, 100x100mm, 200x100mm, 200x200mm.

! The manufacturer accepts no responsibility for incorrect installation.

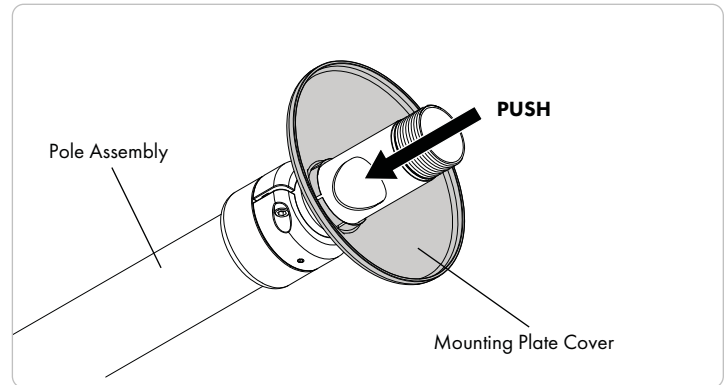
## Step 1. Check Components

Check you have received all parts against the Component Checklist and Hardware above.

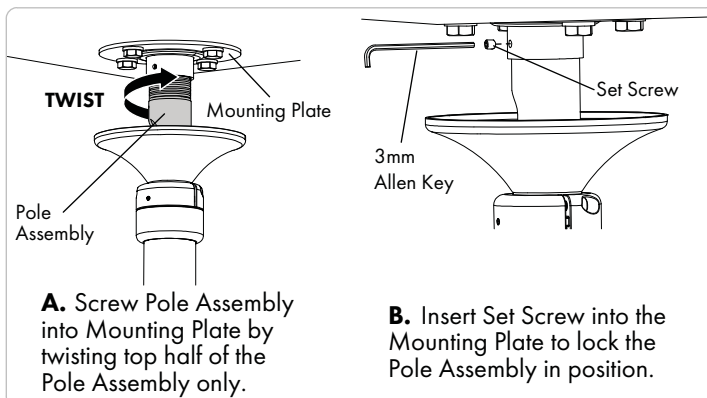
## Step 2. Install Mounting Plate



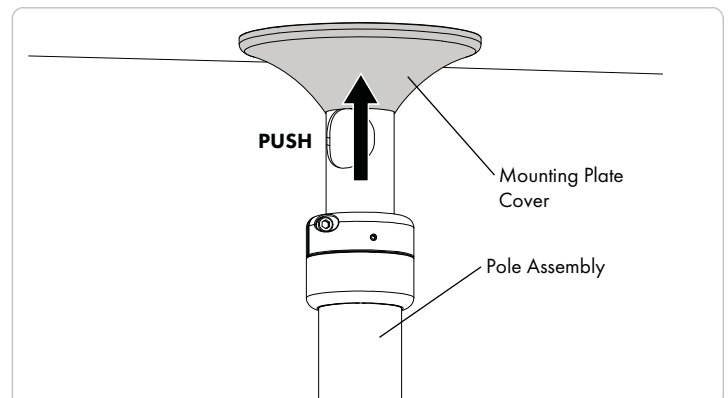
## Step 3. Install Mounting Plate Cover



## Step 4. Attach Pole Assembly to Mounting Plate

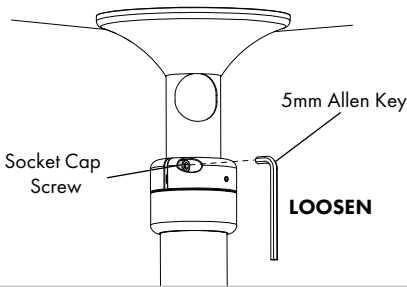


## Step 5. Position Mounting Plate Cover

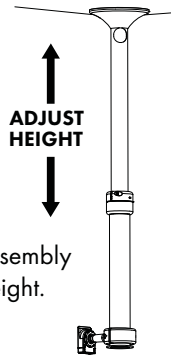


## Step 6. Set Height of Pole

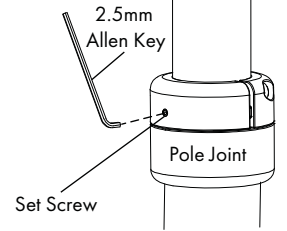
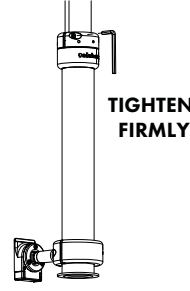
**A.** Whilst supporting the lower half of Pole Assembly loosen the Socket Cap Screws (x2).



**B.** Slide Pole Assembly to the desired height.

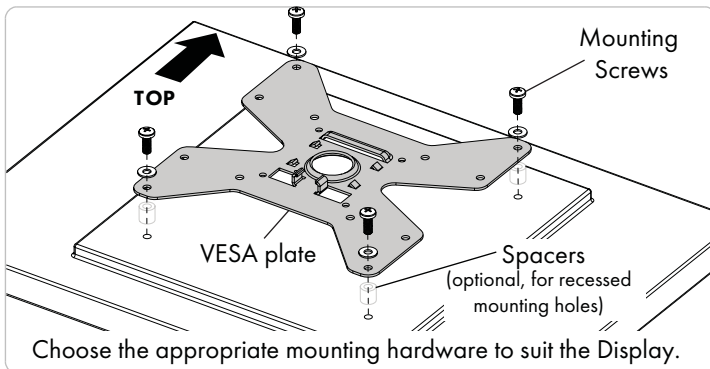


**C.** Tighten the Socket Cap Screws (x2) to set the height.

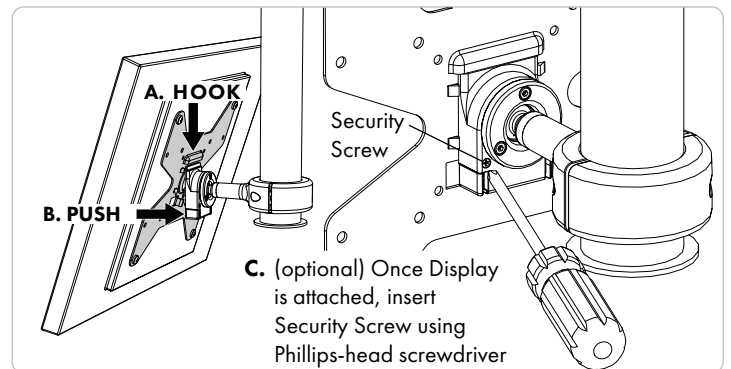


**D.** If necessary, centralise the Pole Joint by tightening the Set Screws (x2) to suit.

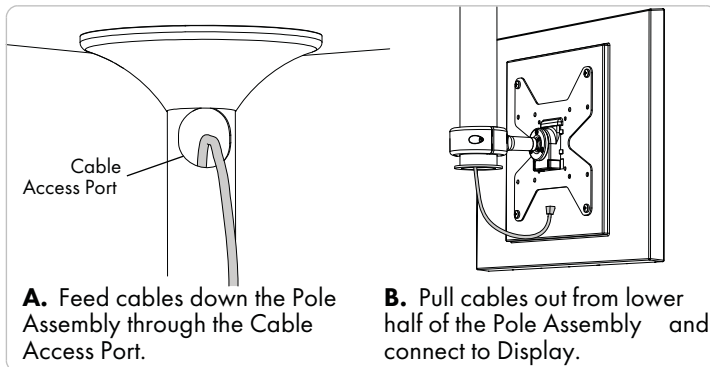
## Step 7. Attach VESA Plate to Display



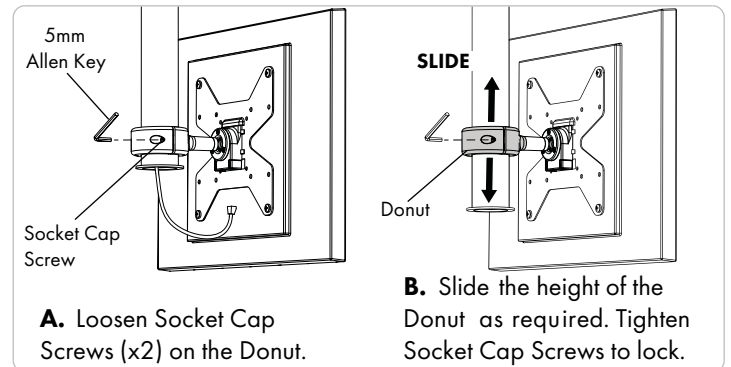
## Step 8. Attach Display to Pole Assembly



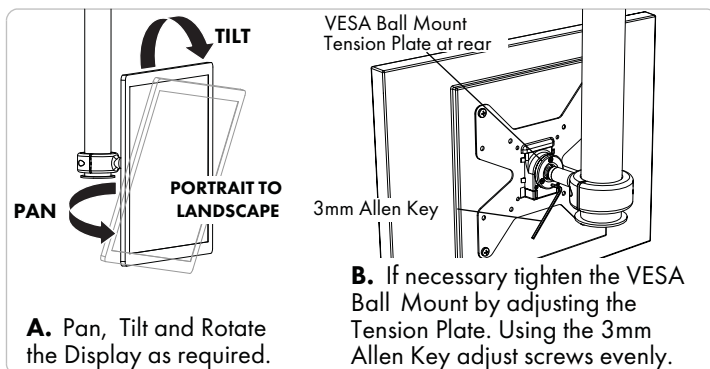
## Step 9. Cable Management



## Step 10. Height Adjustment



## Step 11. Final Adjustment



## Step 12. Install False Ceiling Cover

