

General Features

Maximum Load:

25kg (55lbs)

Mounting Compatibility:

Supports VESA mounting hole configurations:

- 75mm x 75mm
- 100mm x 100mm
- 200mm x 100mm
- 200mm x 200mm

Colour:

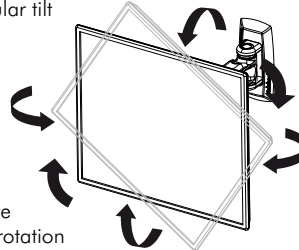
Silver/Black

Warranty:

10 years limited

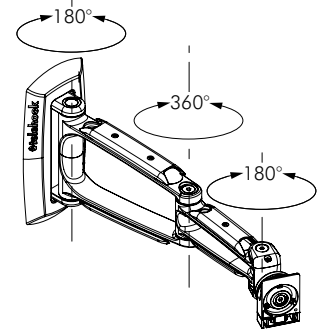
Range of display adjustment

+/- 20° angular tilt



360° infinite horizontal rotation

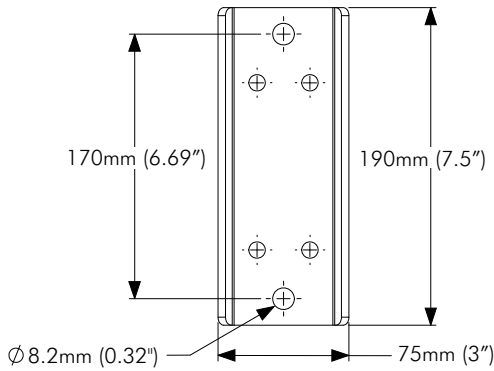
Arm Range of Movement



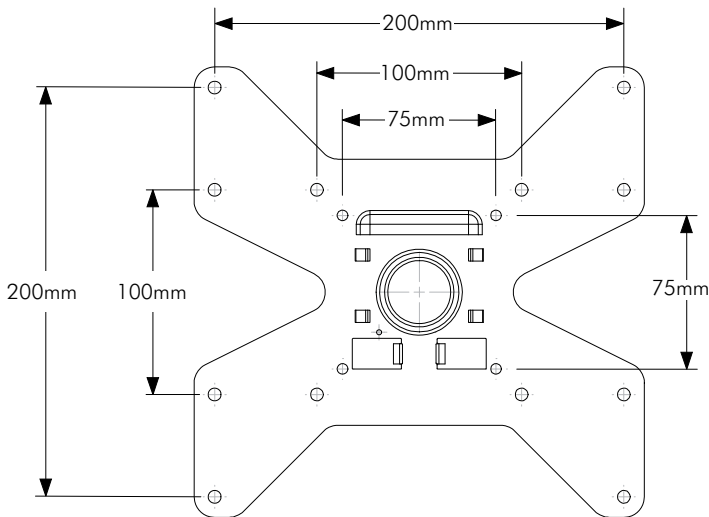
Dimension

Mounting Plate:

- Wall Bracket is to be installed vertically.
- Wall Bracket can be mounted to either: Timber Stud Wall, or Masonry Wall



VESA Plate:



Distance from Wall:

