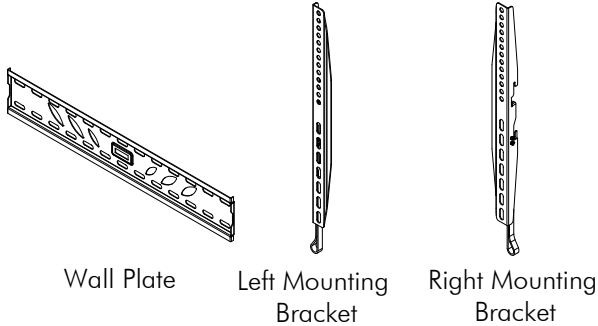


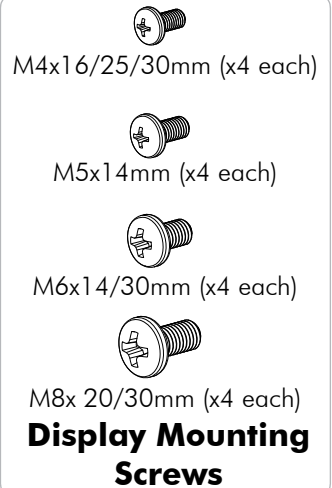
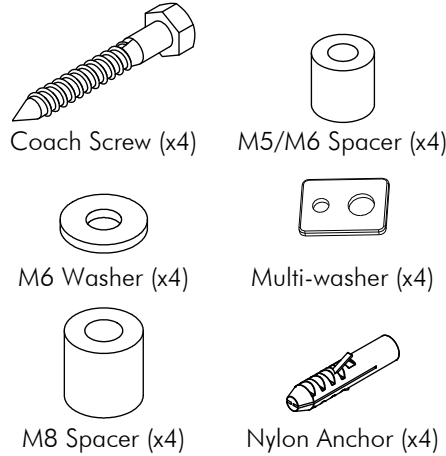
Component Checklist



Tools Required:

- Power Drill
- 5mm (0.2") drill bit
- Phillips Head screwdriver
- 10mm (0.39") masonry drill bit
- 10mm (0.39") Socket Wrench or Shifter

Hardware



IMPORTANT INFORMATION

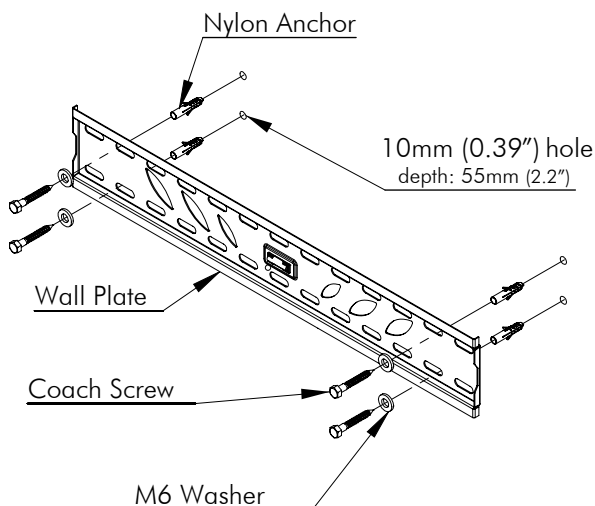
- ! **IMPORTANT - Install 3060 Wall Mount as per Installation Instructions.**
- ! This product supports a maximum load of 50kg (110lbs).
- ! This product only supports displays with mounting hole configurations from 100mm wide x 100mm high up to 600mm wide x 400mm high.
- ! The manufacturer does not accept responsibility for incorrect installation.
- ! Before installing this product, please check the display ventilation requirements with your LED/LCD manufacturer.

Step 1. Check Components

Check you have received all parts against the Component Checklist and Hardware above.

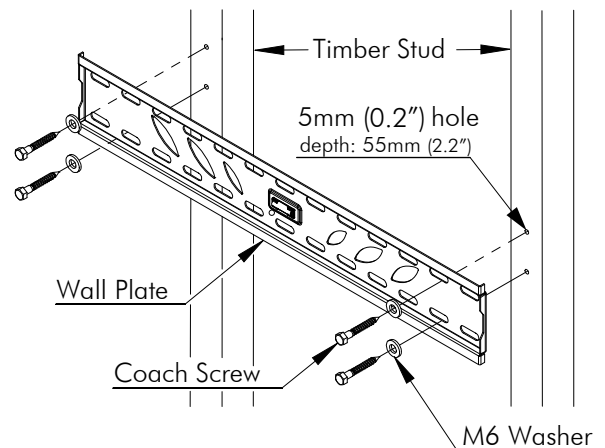
Step 2. Mounting the Wall Plate

Masonry Wall



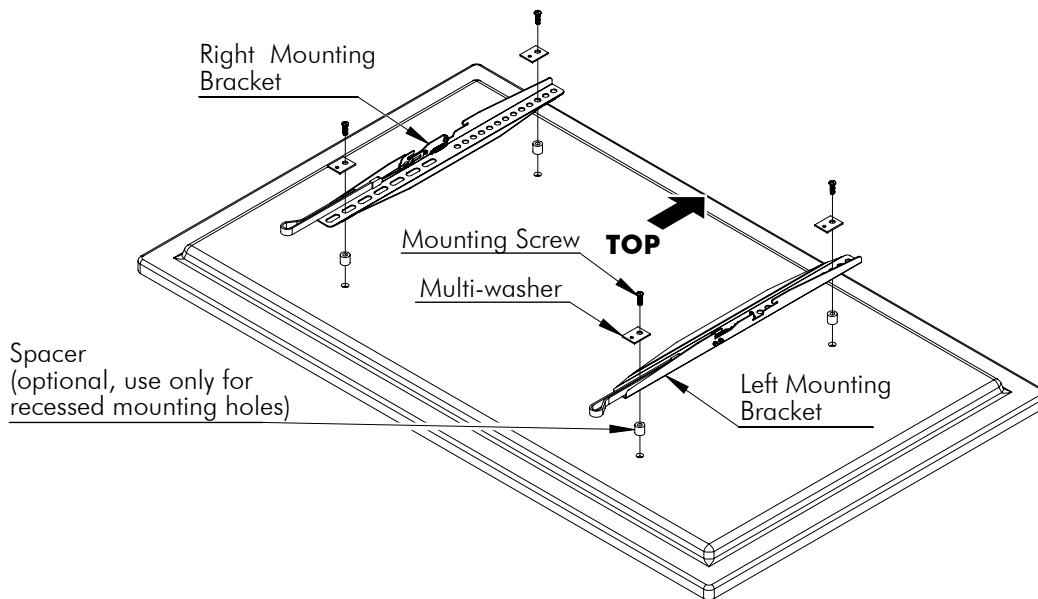
Timber Stud

Note: Use a stud finder to accurately locate the centre of the stud. Ensure that all screws fix securely into the stud.



Tip: Use the built-in spirit level to ensure wall plate is horizontal

Step 3. Attaching Brackets to Display



Step 4. Attaching/Detaching Display to Wall Plate

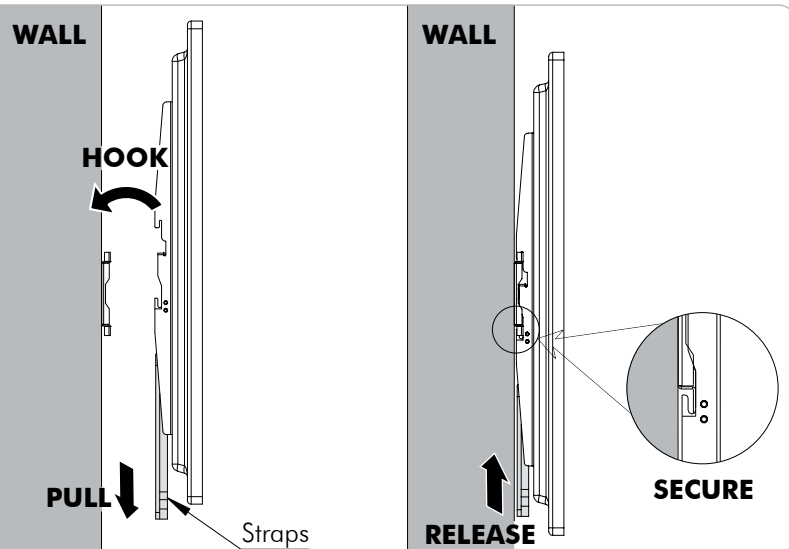
(2 people required)

Lift your Display, hooking the Mounting Brackets over the top of the Wall Plate Rail. Pull down on the two Straps, and gently push the bottom of the Display towards the Wall. Release the Straps to engage the locking mechanism, safely securing the Brackets to the Wall Plate.

Note: Make sure the TV is correctly hooked before releasing the Display.

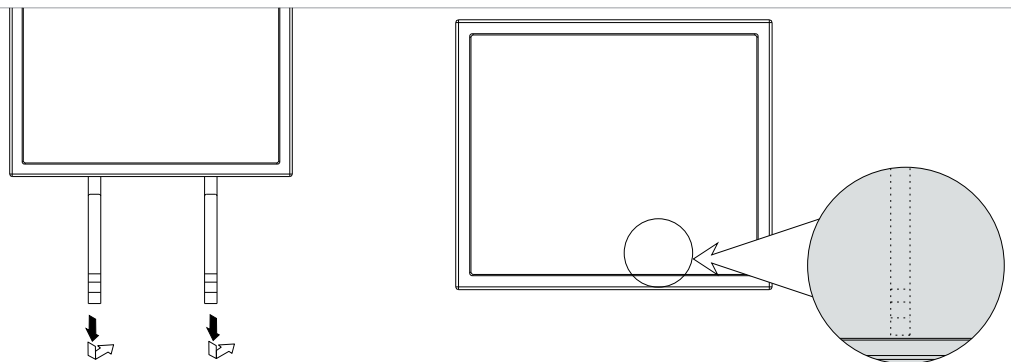
Detaching Display from Wall Plate:

Pull down on both Straps to disengage the locking mechanism. At the same time lift the Display away from the Wall Plate.



Step 5. Hide Straps

If necessary, shorten the length of the Straps using the hook-and-loop fastener strip, so that they cannot be seen.



Installation Complete