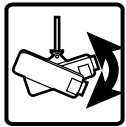


### Dimensions

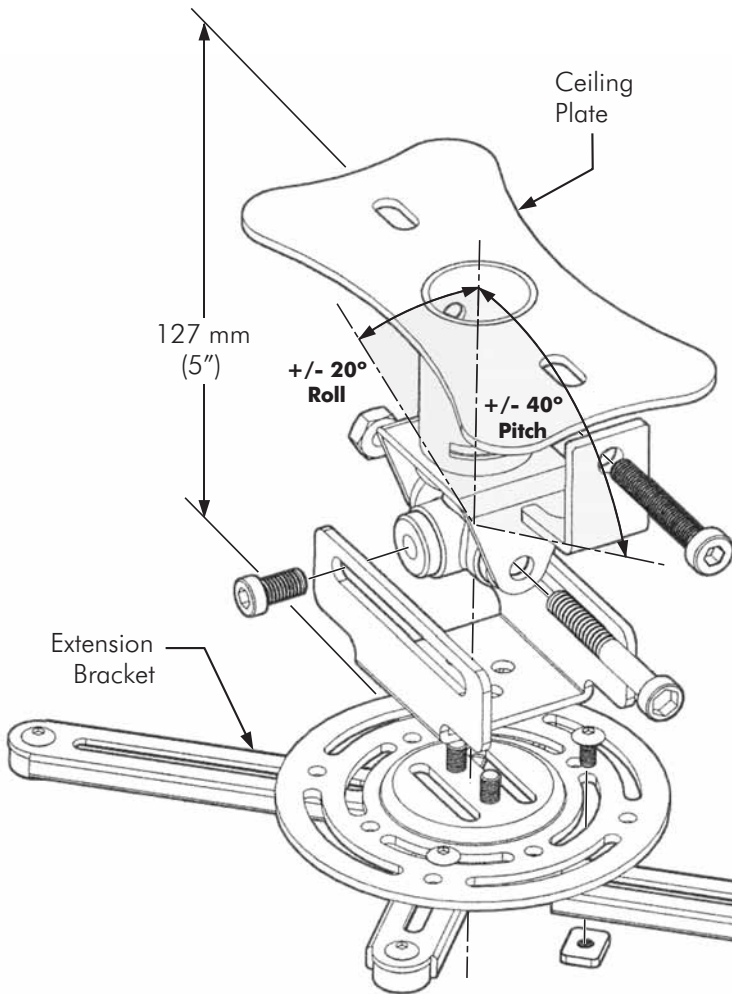
- NOTE:** - This product has been designed to suit 90% of projectors.  
 - Maximum load = 15kg (33lbs).  
 - Mounting hardware included.



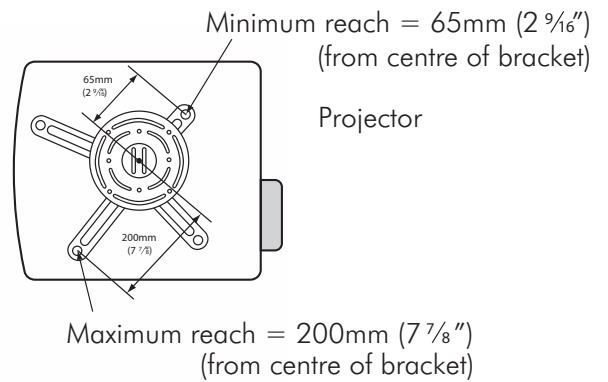
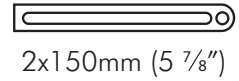
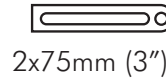
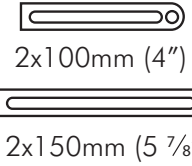
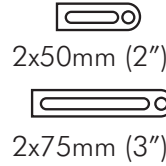
**Pitch**  
+/- 40°



**Roll**  
+/- 20°



- NOTE:** 4 sets of Extension Bracket lengths are included to suit most mounting configurations. Any combination of these brackets may be used.



**Projector mounting screws and washers included:**

- M2.5x15 (x4)- M3x15 / M3x20 (x4 each)
- M4x15 / M4x20 / M4x25 / M4x30 - (x4 each)
- M5x15 / M5x20 / M5x25 / M5x30 - (x4 each)
- M6x15 / M6x20 / M6x25 / M6x30 - (x4 each)
- Washer 10mm / 8mm Washer (x4 each)

**Mounting hardware included:**

- Nylon Anchor Plug (x4)
- 14 Gauge Coach Screw (x4)
- Washer 20mm (x4)

**Warranty:**

10 years limited

