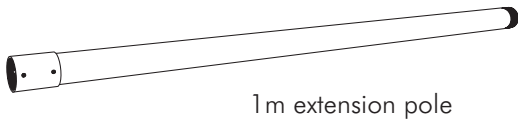


**Component Checklist**



**Hardware**



M6 Set Screw (x2)  
(use hardware/tools from TH-1040-CTS or TH-1040-CTL)

**Tools required:**

- ☒ Power drill
- ☒ 7mm (1/4") drill bit
- ☒ 12mm (1/2") masonry drill bit
- ☒ Phillips head screwdriver
- ☒ 17mm (3/4") socket wrench or shifter

**Important Information**

- ! **IMPORTANT - Install 1040 Extension 1000mm as per Installation Instructions.**
- ! This product is to be installed in conjunction with TH-1040-CTS and TH-1040-CTL Ceiling Mounts only.
- ! The manufacturer accepts no responsibility for incorrect installation.

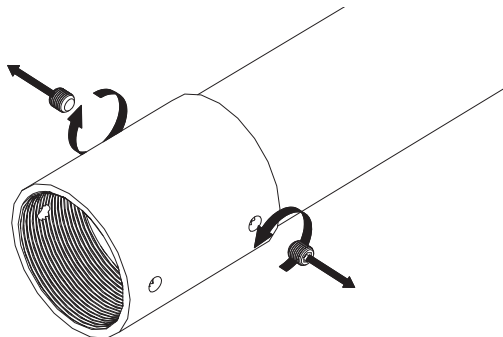
**Step 1. Component Checklist**

Check you have received all parts against the component checklist and Hardware above.

**Step 2. Cable Access Setup (OPTIONAL)**

Before you use the extension pole, decide where you need the Cable Access Port to be. The default position is set so the Cable Access Port is at the top of the extension pole.

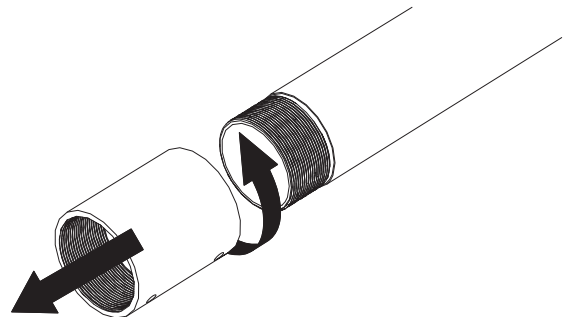
**A**



**A. Remove Set Screws**

Using the Allen Key provided in your TH-1040-CTS or TH-1040-CTL, remove the 2x set screws from the threaded adaptor, keep for later (D).

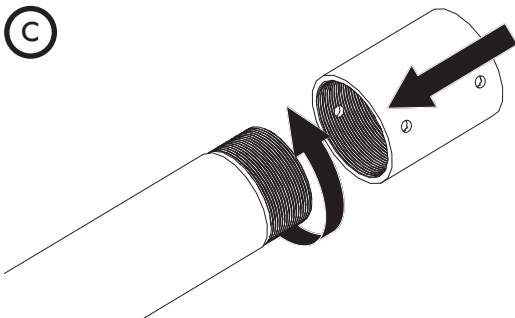
**B**



**B. Unscrew Adaptor**

Unscrew and remove the threaded adaptor from the extension pole.

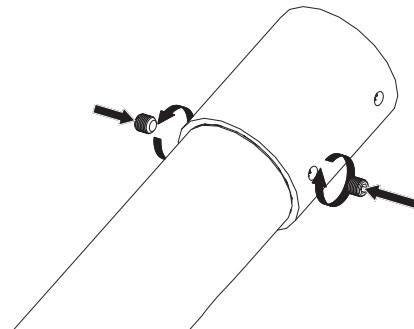
**C**



**C. Reposition Adaptor**

Screw adaptor to other end of the extension pole, tighten firmly.

**D**



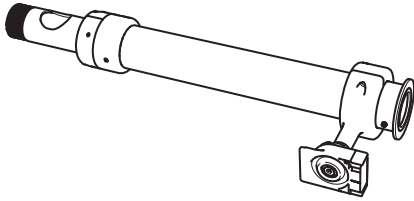
**D. Fix in Position**

Using 2x set screws from earlier (A), fix the threaded adaptor in position. Tighten firmly.

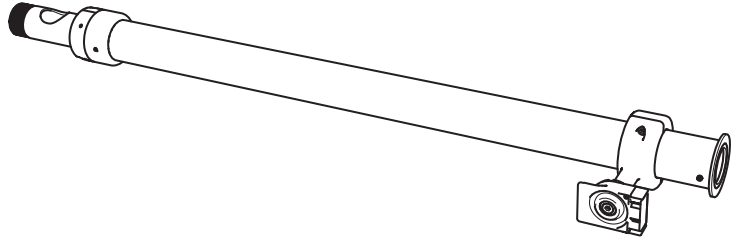
### Step 3. Identify Pole Assembly

Identify the TH-1040-CTS or TH-1040-CTL pole assembly (supplied separately).

TH-1040-CTS pole assembly

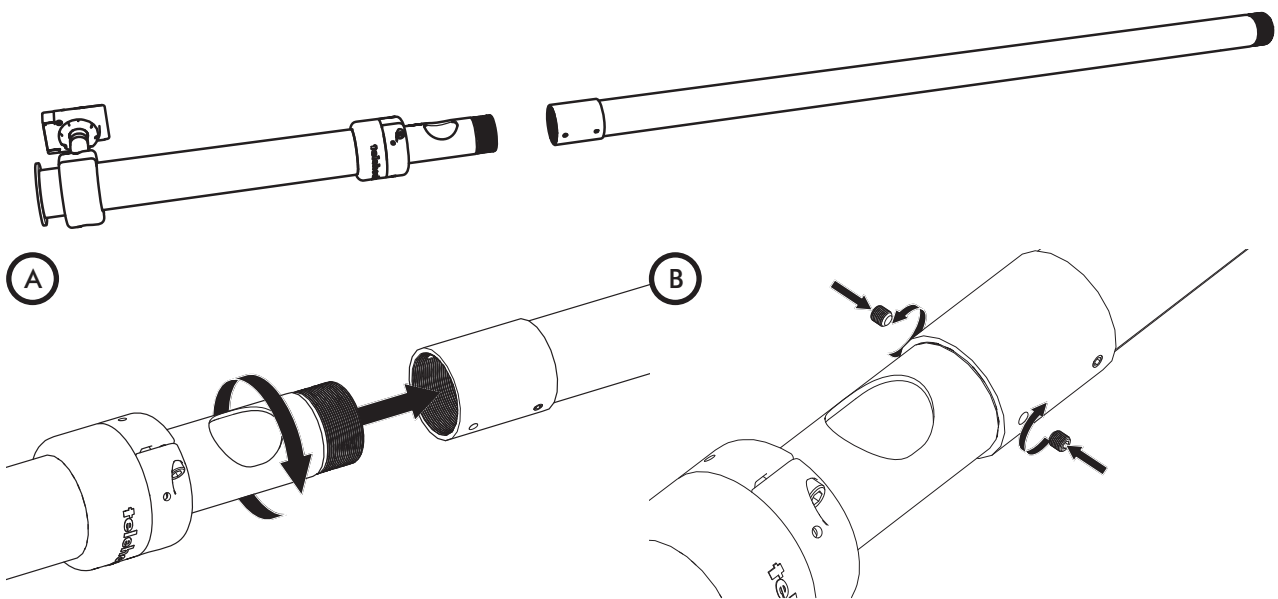


TH-1040-CTL pole assembly



### Step 4. Attach Extension Pole to TH-1040-CTS or TH-1040-CTL

Align TH-1040-CTS and TH-1040-CTL pole assembly with extension pole.



#### A. Attach Extension Pole

Screw the TH-1040-CTS or TH-1040-CTL into the extension pole.

#### B. Fix in Position

Using 2x set screws (supplied), fix the threaded adaptor in position. Tighten firmly.

### Installation Complete

Refer back to TH-1040-CTS or TH-1040-CTL for the Installation Instructions.