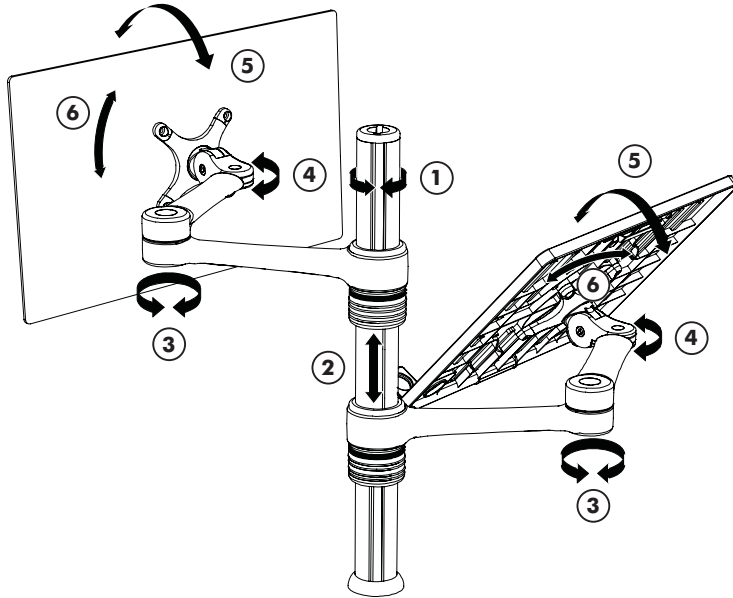


**General Features**



**Max Load:**

Max. 8kg (17.5lbs) for each arm

**Display Compatibility:**

Suits displays from 12" (30cm) to 24" (61cm)

**Notebook Compatibility:**

Notebook Mount supports Notebooks up to 18"

**Display Mounting Options:**

Suits 75mm x 75mm to 100mm x 100mm mounting hole patterns

**Mounting Options:**

Focus includes Bolt Through and Desk Clamp mounting options.

- Desk clamp  
Suits desktop thicknesses of 0mm-99mm (0"-3.9")
- Bolt Through  
Suits desktop thicknesses of 12mm-40mm (0.5"-1.5")

**Included Hardware:**

All fasteners and mounting hardware is included

**Colours:**

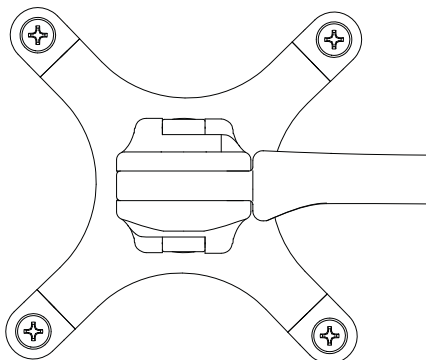
Polished Silver

**Warranty:**

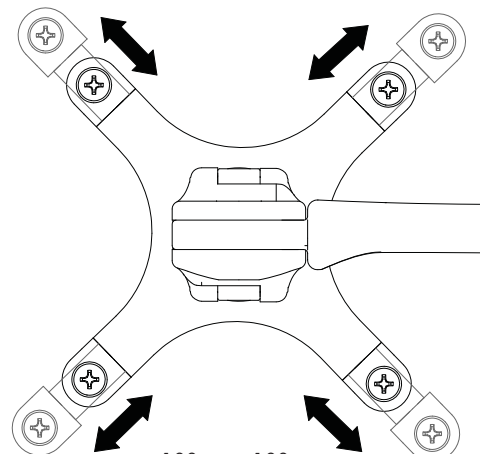
10 years limited.

① Rotation around mounting pole	360°	360°
② Height adjustment range	270mm (10.63")	270mm (10.63")
③ Articulation of arms	360°	360°
④ Pan adjustment	180°	180°
⑤ Tilt adjustment range	±70°	25°
⑥ Horizontal adjustment	±95°	±5°
	<b>Monitor Arm</b>	<b>Notebook Tray Arm</b>

**The FlexiStar™ mechanism**

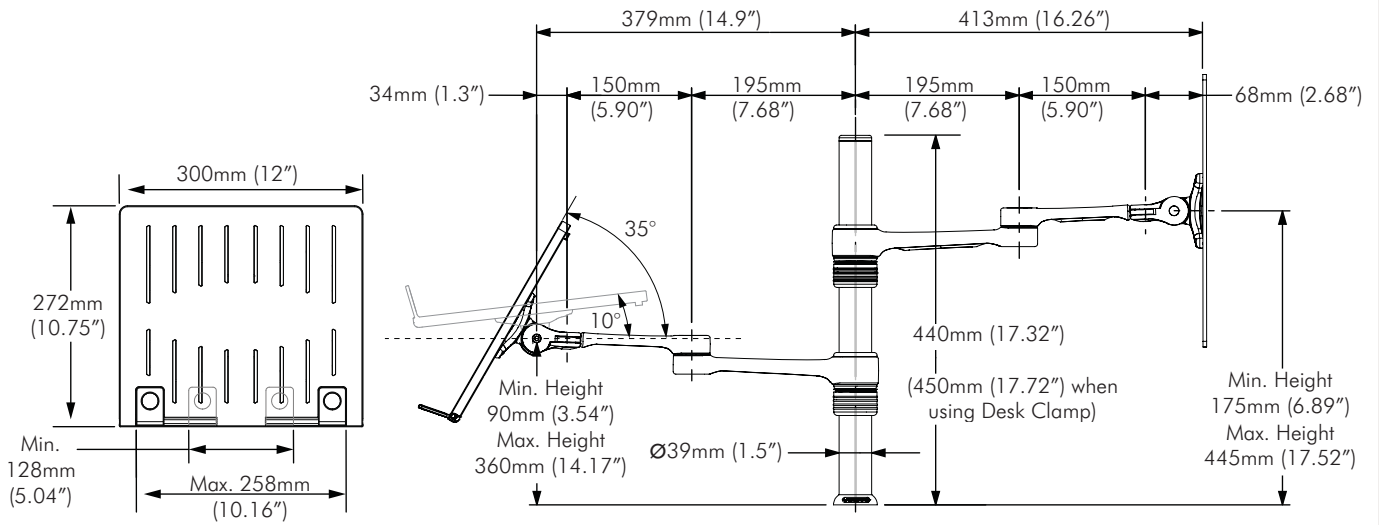


75mm x 75mm VESA hole pattern



100mm x 100mm VESA hole pattern

## Overall Dimensions



**Note:**  
The Min/Max Arm heights increase by 8mm when using Desk Clamp.

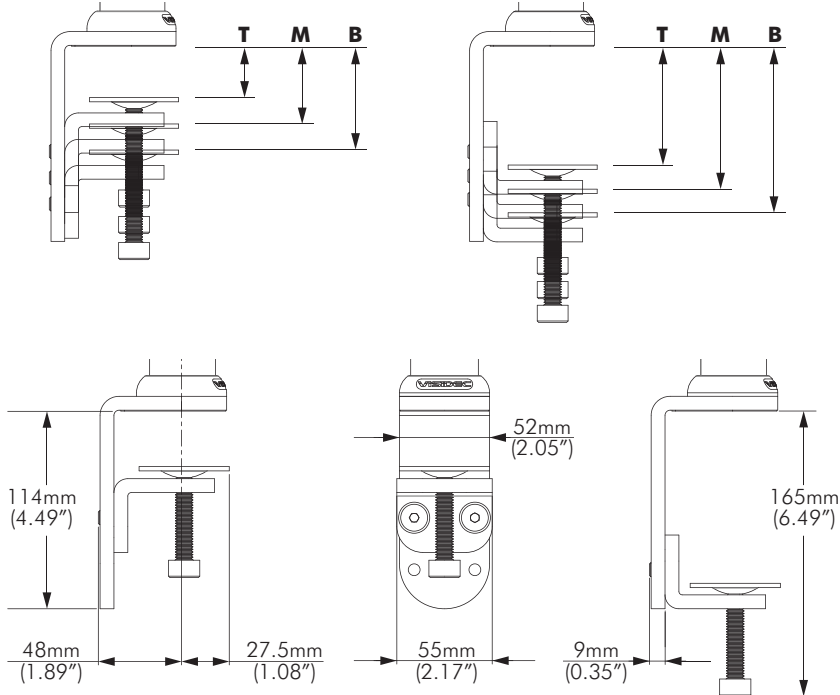
## Desk Mounting Options

### Desk Clamp

Desk clamp suits the following thicknesses of **0mm-99mm (0"-3.9")**

**Top** 0 - 32mm (default)  
**Middle** 7 - 47mm  
**Bottom** 22 - 62mm

**Top** 29 - 69mm  
**Middle** 43 - 84mm  
**Bottom** 59 - 99mm



### Bolt Through

Bolt Through suits desktop thicknesses of **12mm-40mm (0.5"-1.5")**

