



ATDEC Infinite Mounting Possibilities


Professional mounting solutions for the home and office

Focus | Desk notebook arm VF-AT-NP

The Focus VF-AT-NP is designed to improve the work environment for notebook users. It creates additional desk space while lifting the screen and keyboard to an optimal user height. It helps reduce the risk of work-related strain while providing extended operational flexibility. The non-slip tray supports notebooks of up to 18" while the ventilated base ensures suitability for extended use with performance machines. Adjustable feet enable forward facing interface slots to be easily accessed while the integrated cable management provides a safer workplace with less clutter. Mount can be upgraded with additional display and/or notebook accessory arms for a truly integrated workstation solution.


 Supports notebook PC's up to 18"


 max display weight: 8kg (17.5lbs)

 Articulated positional adjustment

 Adjustable tilt and pan

 Flexible desk mounting

 Tool-less height adjustment

 Allows rotation around Pole



Product key features:

- ✕ Non-slip ventilated notebook tray supports notebooks up to 18.4"
- ✕ Offers a wide range of movement via three pivot points
- ✕ Height adjustment range: 340mm (13.5")
- ✕ Allows 360 rotation around pole
- ✕ Adjustable tray angle from 10° to 35°
- ✕ Adjustable pan: +/-90°
- ✕ Bolt through and desk clamp mounting options included
- ✕ Internal cable management
- ✕ Comes with all mounting hardware
- ✕ Designed to be used in conjunction with a separate keyboard and mouse



Bolt through & desk clamp mounting options included



Internal & external cable management options



Can be upgraded with additional notebook and/or display accessory arms



Product information, single unit

Load capacity	Material	Color
8kg (17.5lbs)	Aluminum/Polymer	Polished

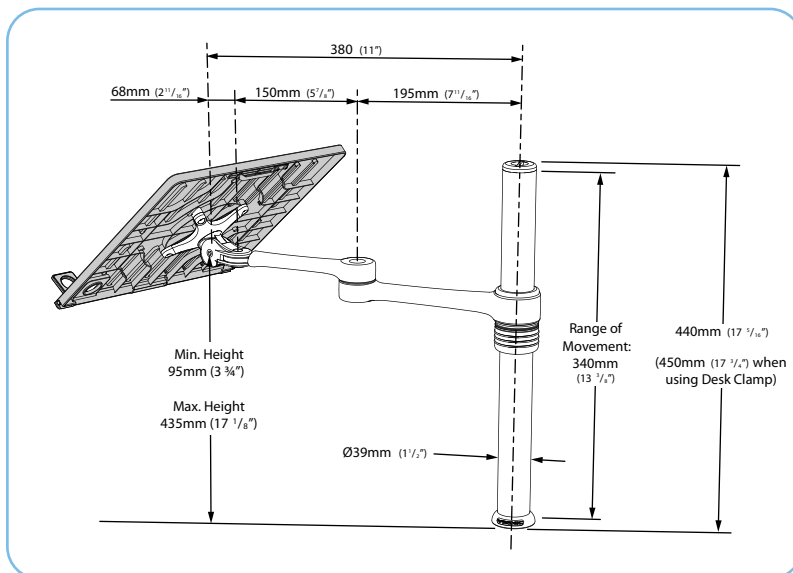
Package information, single unit

Size	Ship weight	UPC code	Contents
51cm x 32cm x 14cm (20.25" x 12.5" x 5.25")	3.2kg (7.4lbs)	881493004375	All hardware required for installation supplied

Package information, master pack

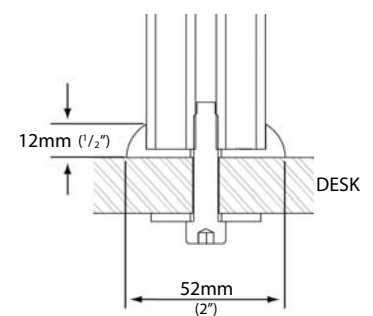
Size	Ship weight	UPC	Units per master pack
54cm x 34cm x 57cm (21.5" x 1.5" x 21.5")	13kg (31.4lbs)	881493005044	4

Technical drawings



Bolt Through

Bolt through suits desktop thicknesses of 12mm - 40mm (1/2" - 1 1/2")

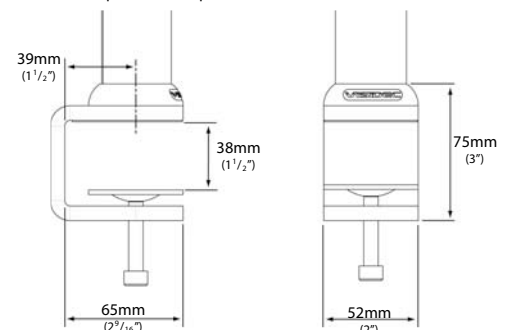


Accessory Options

VF-AT-AA	Additional Display Arm
VF-AT-NK	Additional Notebook Arm

Desk Clamp

Desk Clamp suits desktop thicknesses of 12mm - 38mm (1/2" - 1 1/2")



Atdec mounts are designed, developed and tested in Australia. We manufacture an extensive range of display and projector mountings for a variety of user types and situations. While all efforts have been made to ensure the information in this brochure was correct as of the date of printing, we reserve the right to change specifications without notice. Please refer to the website for our full range along with the latest details on specifications, compatibility and dealer location. Atdec and telehookare registered trademarks with all rights reserved. Copyright May 2011 V2.0