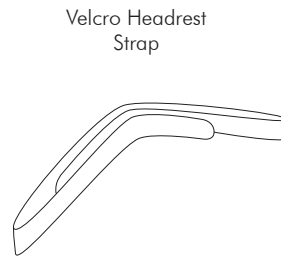
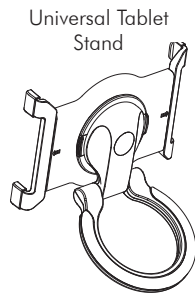


Component Checklist



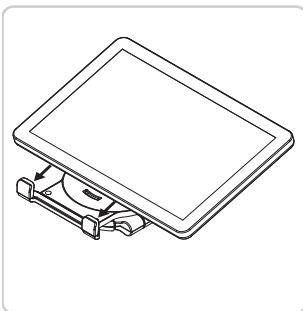
IMPORTANT INFORMATION:

! IMPORTANT - Install VTB-US Universal Tablet Stand as per installation instruction.
! The manufacturer accepts no responsibility for incorrect installation.

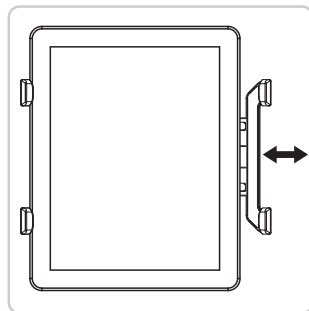
Step 1. Check Components

Check you have received all components against the component checklist above.

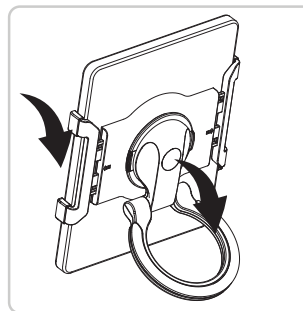
Step 2. Tablet installation & mounting options



Place tablet on one side of mount



Pull open the mount over the tablet and release

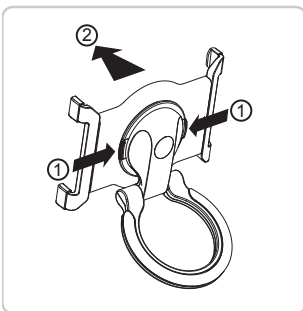


Vertical view with angle adjustment

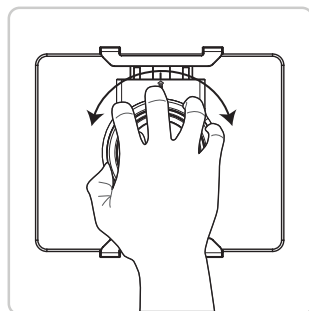


Horizontal view with angle adjustment

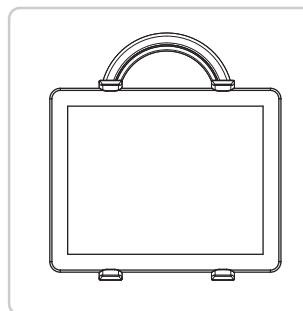
Caution: Ensure the tablet is securely fixed in position.



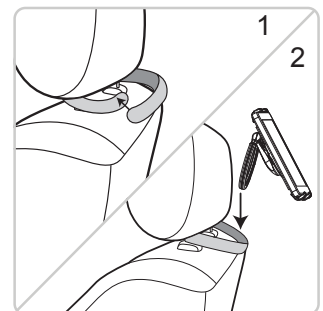
Quick release removable stand



Handheld Rotation



Hanging & Portable



Use Velcro Headrest strap to attach to rear of car seat

Installation Complete